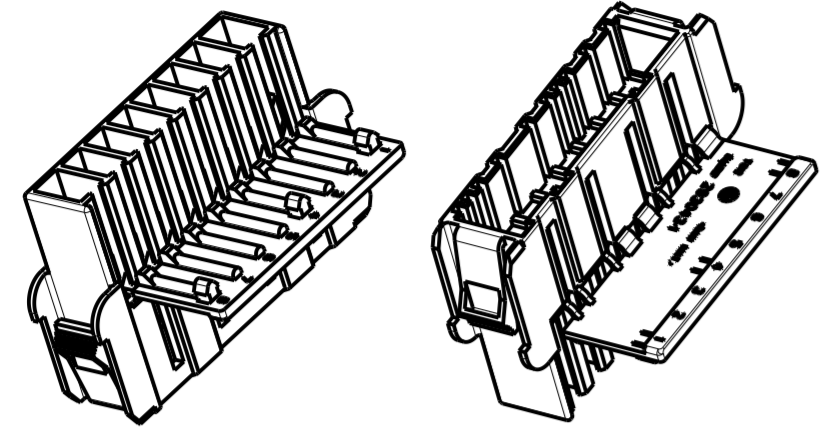


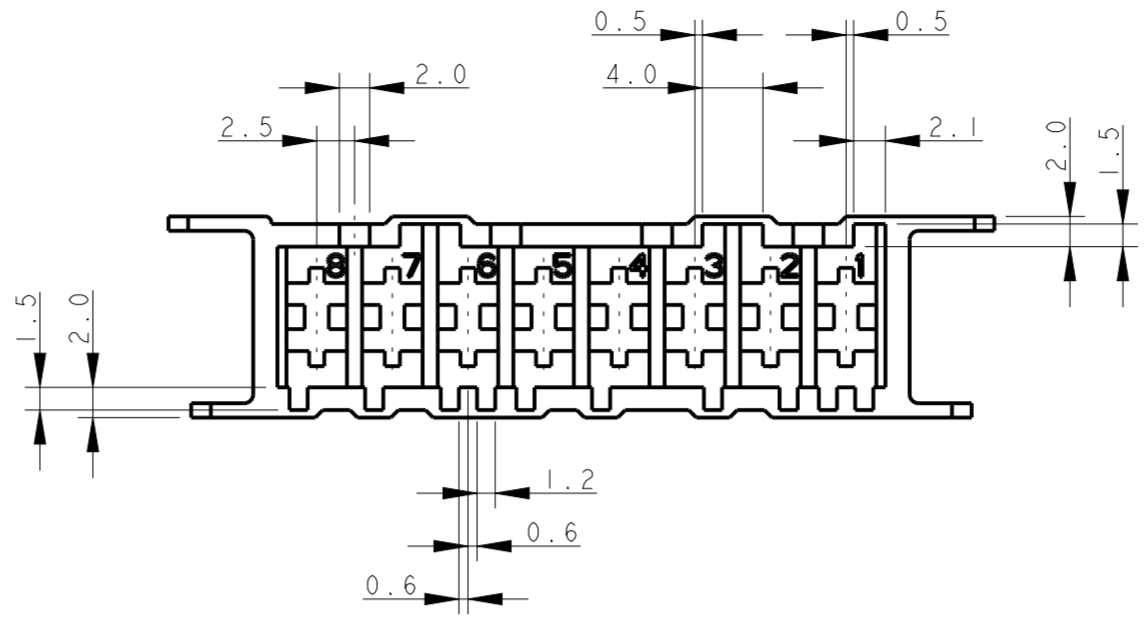
THIS DRAWING IS UNPUBLISHED. RELEASED FOR PUBLICATION 2003
 © COPYRIGHT 2003 BY TYCO ELECTRONICS CORPORATION. ALL RIGHTS RESERVED.

REVISIONS							
LOC	DIST	P	LTR	DESCRIPTION	DATE	DWN	APVD
		A		FIRST EMISSION, ET00-0032-05	19 JAN 2005	HY	GT
		B		RELEASED	04 MAY 2005	HY	GT
		BI		ECR-21-100240	27JAN2021	SM	FL

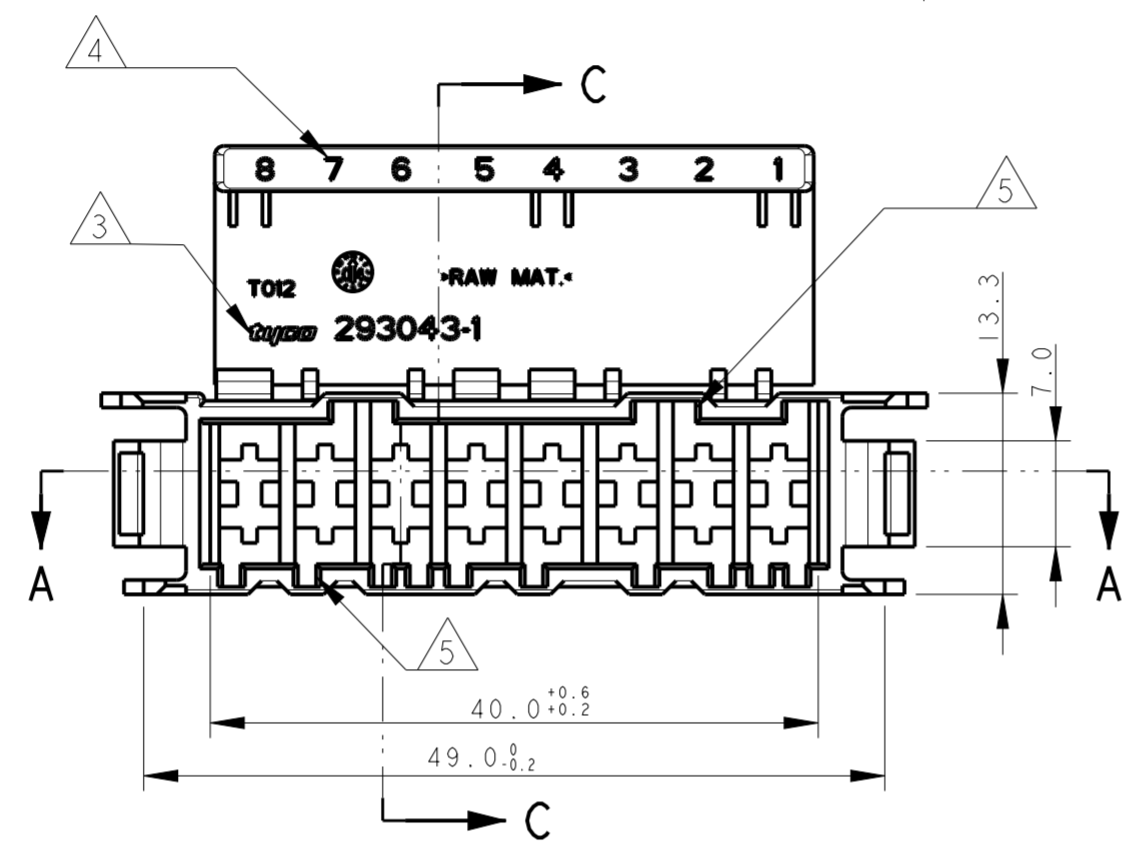
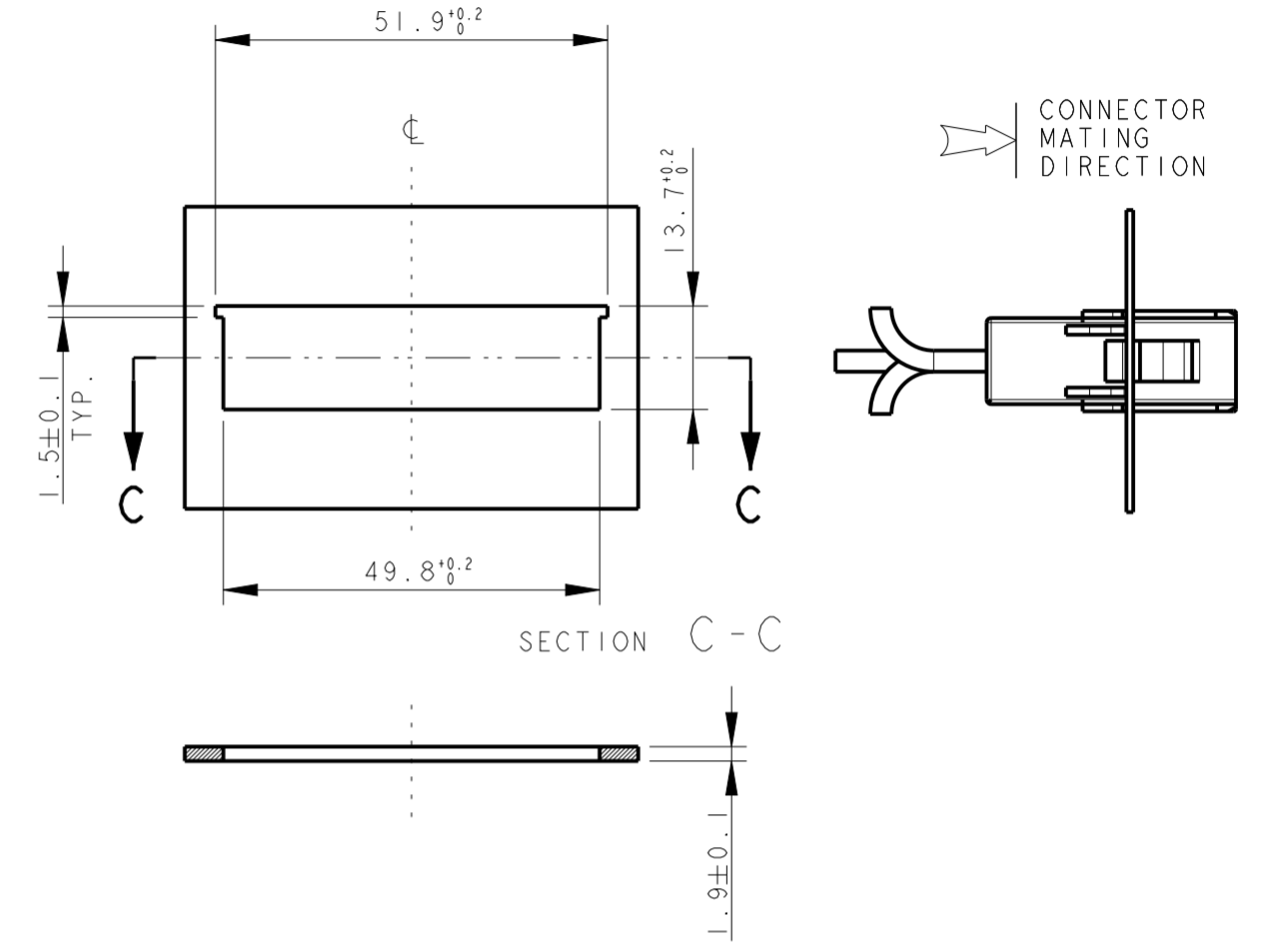
POLARIZATION KEYS SCHEME



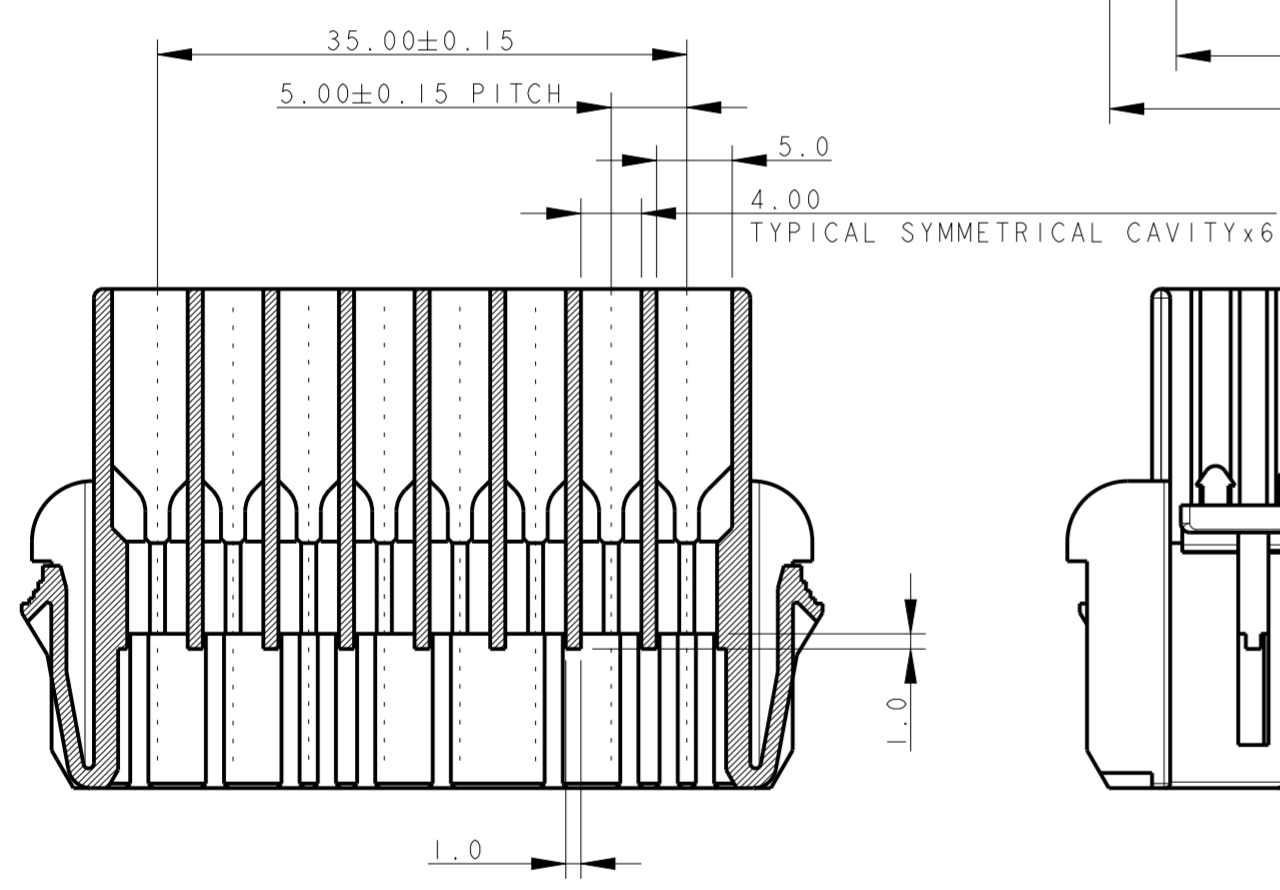
SCALE 1:1



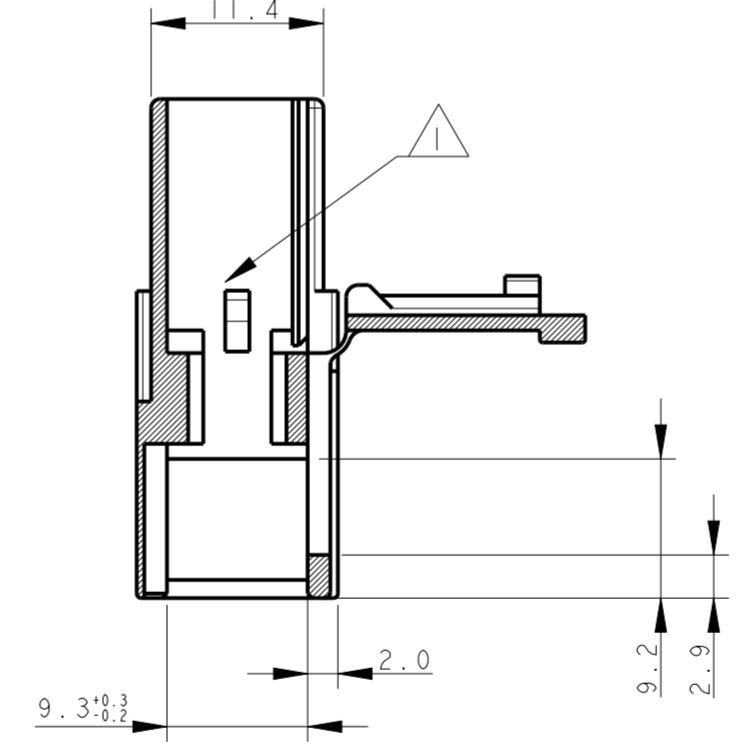
PANEL MOUNT DIMENSIONS SCALE 1:1



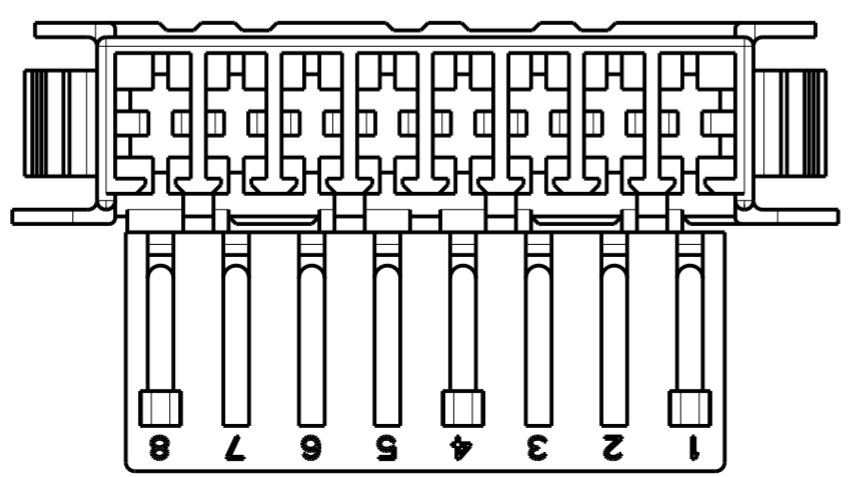
SECTION A-A



SECTION C-C



- ① TYPICAL CAVITY SUITABLE FOR:
FASTIN-FASTON TAB CONTACTS 6.3 mm SRS:
P/N: 60294, 0.3-0.8 mm² WIRE RANGE
160691, 0.3-0.8 mm² WIRE RANGE
AMPLIVAR CONTACTS:
P/N: 141051, 0.1-0.5 mm² WIRE RANGE
142411, 0.3-1.6 mm² WIRE RANGE
MAX. INSULATION DIA. 2.8 mm,
MAX. INSULATION CRIMP WIDTH 3.3 mm.
- ② PA6 UNFILLED, NATURE COLOUR
"SCHULAMID 6 MV14 FR4 KI681"
- ③ TYCO TRADEMARK "LOGO" AND
TYCO ELECTRONICS "PART NUMBER"
OPTIONAL POSITION.
- ④ CIRCUIT IDENTIFICATION NUMBERS, 1 TO 8
- ⑤ POLARIZATION KEYS DIMENSIONS AND POSITIONS
ARE ACCORDING TO "RAST 5" NORM



NATURALE (NATUR)	VEDI NOTA 2 (SEE NOTE 2)	293043-1	B
COLORE (COLOUR)	MATERIALE (MATERIAL)	NUMERO (TYCO P/N)	REV

THIS DRAWING IS A CONTROLLED DOCUMENT FOR TYCO ELECTRONICS CORPORATION. IT IS SUBJECT TO CHANGE AND THE CONTROLLING ENGINEERING ORGANIZATION SHOULD BE CONTACTED FOR THE LATEST REVISION.		DWN 25 NOV 2004 CHK H. YAALI	tyco Electronics AMP Italia S.p.A. C.so F. Cervi, 15 COLLEGNO (TO)	
DIMENSIONS: mm	TOLERANCES UNLESS OTHERWISE SPECIFIED:	APVD	NAME 8 POS. FASTIN-FASTON Connector TAB HOUSING, RAST 5 PANEL MOUNT VERSION	
0 PLC ±	1 PLC ±0.3	PRODUCT SPEC	SIZE CAGE CODE DRAWING NO RESTRICTED TO	
2 PLC ±	3 PLC ±	APPLICATION SPEC	A2 00779 C-293043	
4 PLC ±	ANGLES ±1°	WEIGHT	RESTRICTED CUSTOMER SCALE 2:1 SHEET OF REV BI	
MATERIAL FINISH	SEE TABLE			

单击下面可查看定价，库存，交付和生命周期等信息

[>>TE Connectivity\(泰科\)](#)