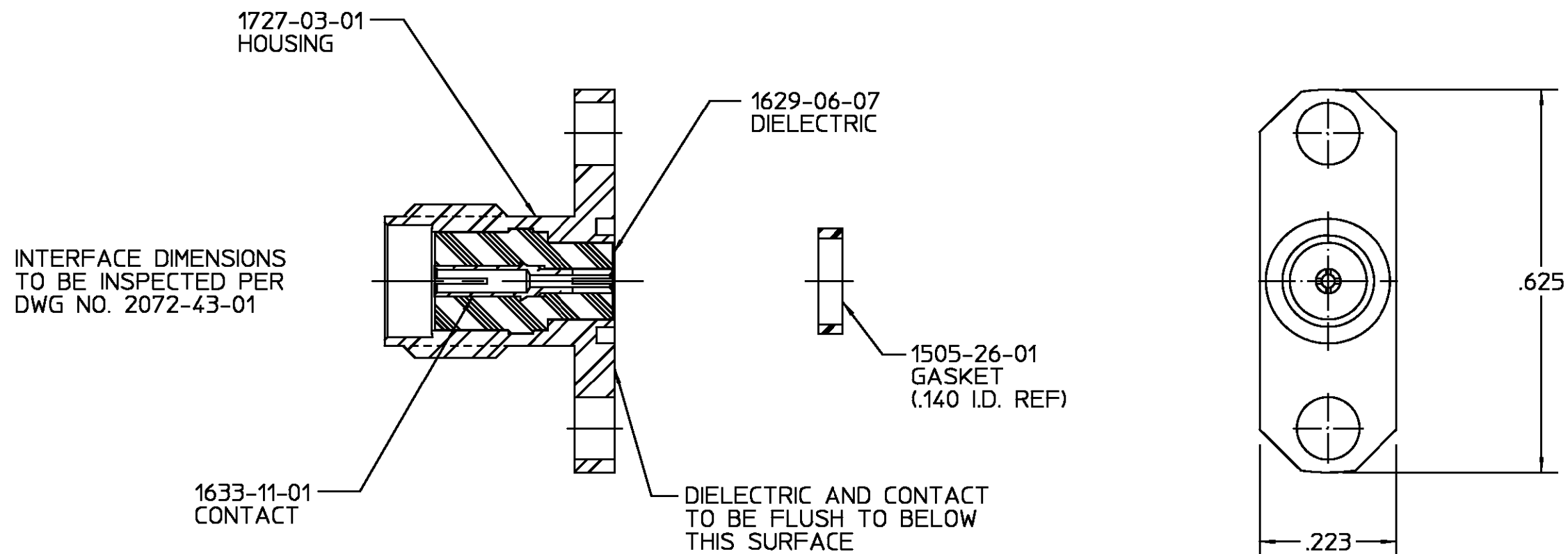


REVISIONS			
REV	DESCRIPTION	DATE	APPROVED
032	REDRAWN ON CAD ECN 92-0010	12/1/93	<i>[Signature]</i> 12/1/93



OBSOLETE

UNLESS OTHERWISE SPECIFIED DIMENSIONS ARE IN INCHES, AND BEFORE PLATING, ALL ANGLES ARE DEGREES. FRAC. DEC. ANGLES * 1/64 * .005 * °		DRAWN BY <u>B</u> DATE <u>10/22/84</u>		<b>AMP</b> AMP Incorporated 140 Fourth Avenue Waltham, MA 02451-7599	
		CHECKED BY _____			
These drawings and specifications are the property of Omni Spectra Incorporated and shall not be reproduced or copied or used in whole or in part as the basis for the manufacture or sale of item(s) without written permission.		APPRD BY <u>GH</u> DATE <u>11/5/84</u>		TITLE <b>OSM TWO HOLE FLANGE MOUNT JACK RECEPTACLE WITH EMI/RFI GASKET</b>	
		SIZE <u>B</u>	CODE IDENT NO. <u>26805</u>		<u>2052-3354-02-50</u>
		SCALE <u>5:1</u>	CABLE TYPE: <u>N/A</u>	SHEET 1 OF 1	

AMP PART # 1330785  
SHEET 1 OF 1 REV A1

单击下面可查看定价，库存，交付和生命周期等信息

[>>TE Connectivity\(泰科\)](#)