

THIS DRAWING IS UNPUBLISHED.

RELEASED FOR PUBLICATION

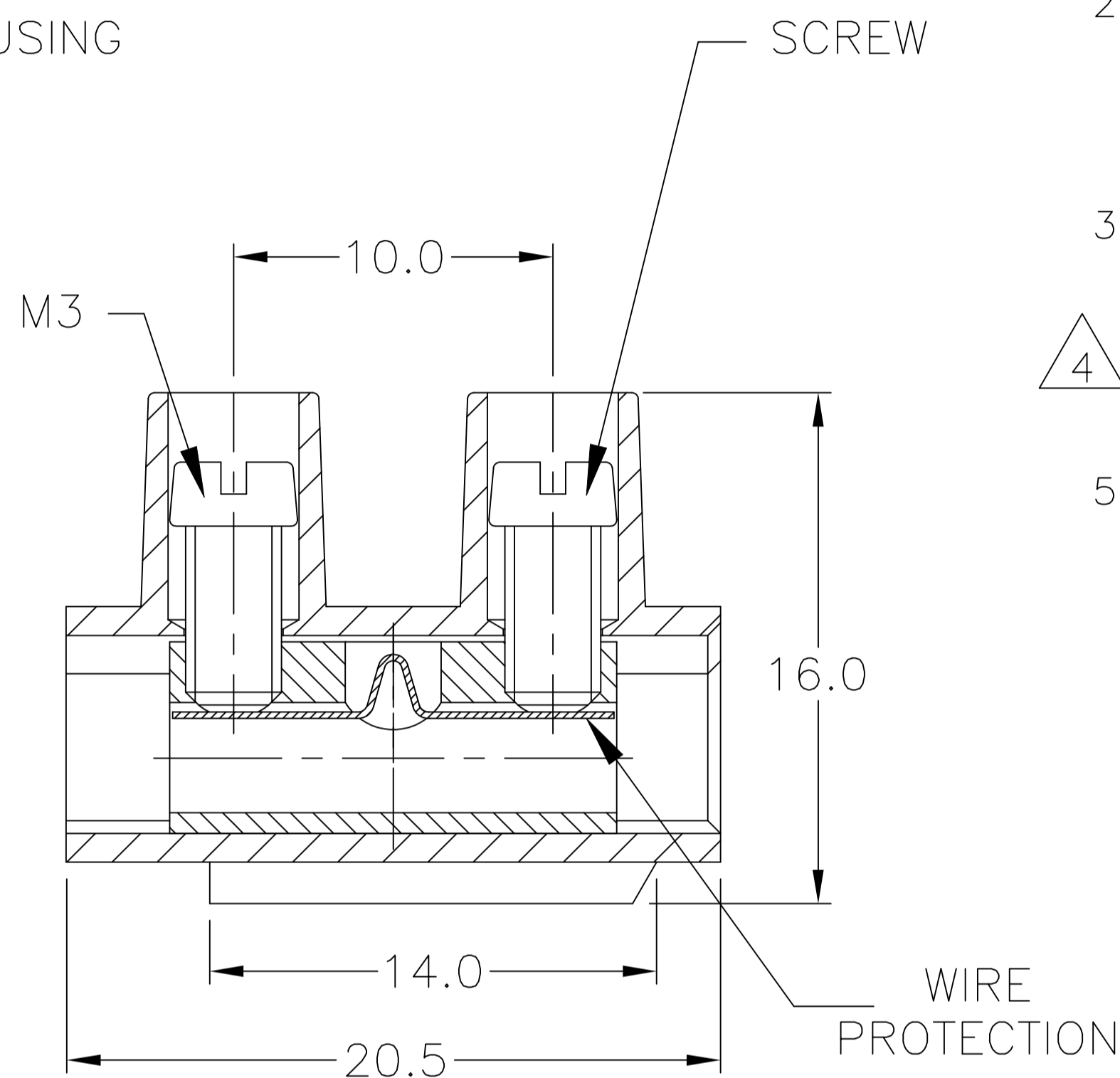
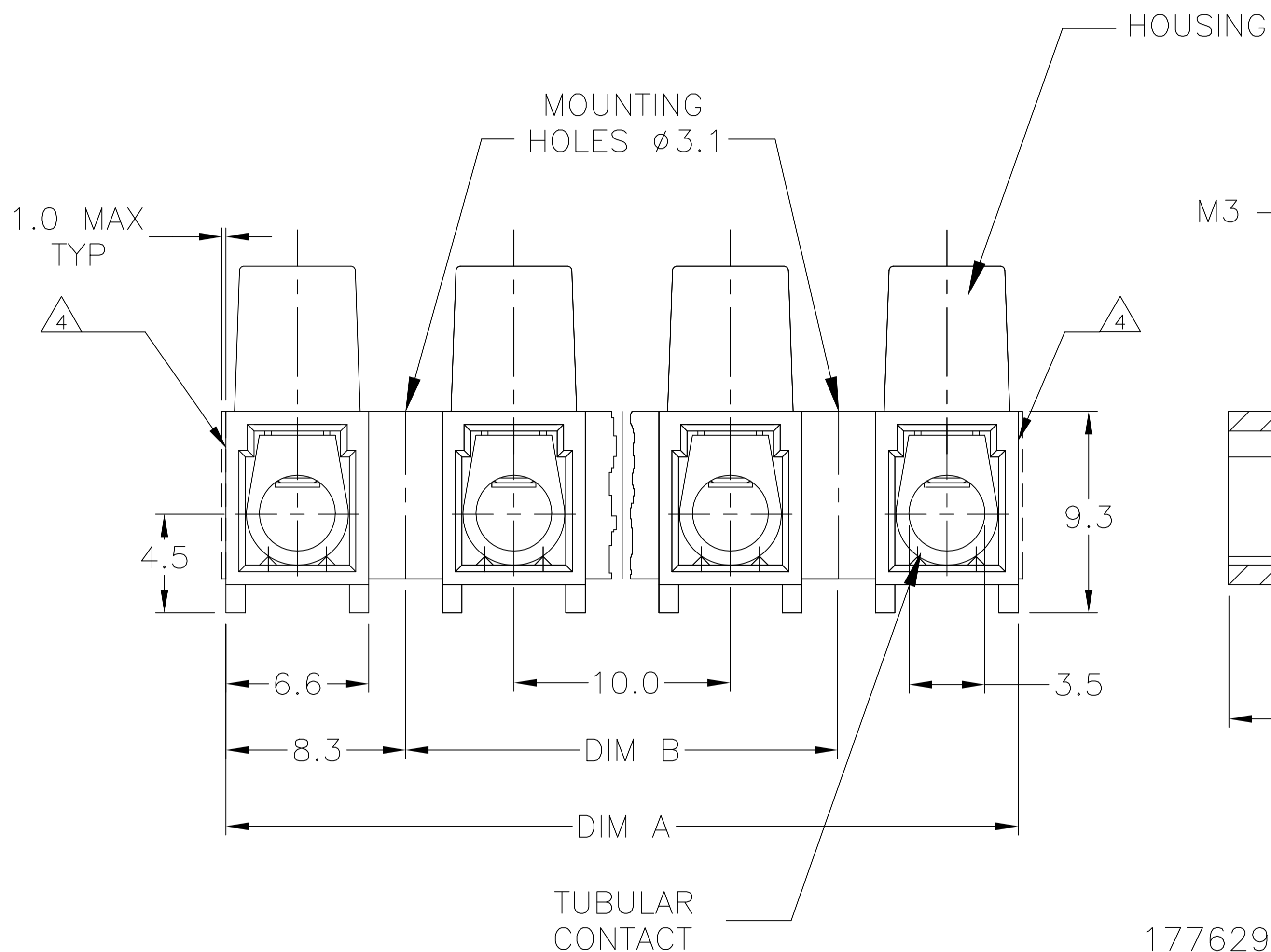
© COPYRIGHT - By -

ALL RIGHTS RESERVED.

REVISIONS


P	LTR	DESCRIPTION	DATE	DWN	APVD
P1		CUTTING BURR DETAILS ADDED	07SEP2018	RK	PS

- MATERIAL:
HOUSING: POLYAMIDE 6, UL94V-2.
COLOR: NATURAL (OFF WHITE).
TUBULAR CONTACT: BRASS, TIN PLATED.
SCREW: M3, STEEL, ZINC PLATED W/ NON-HEXAVALENT CHROMATE (CHROME III).
WIRE PROTECTION: STAINLESS STEEL.
- ELECTRICAL:
CURRENT RATING: 30A, 250V, 10-22 AWG.
CURRENT RATING: 25A, 250V, 12-24 AWG.
WIRE RANGE: 10-24 AWG.
- ENVIRONMENTAL:
CONTINUOUS WORKING TEMP.: -35°C TO +100°C.
- CUTTING PROJECTION CAN BE ON BOTH SIDES DEPENDING ON CUTTING LOCATION
- CUTTING BURR MAX. 1mm ALLOWED.



1776296-4 AS SHOWN

100.0	116.6	TSB500 1231DS	1-1776296-2
90.0	106.6	TSB500 1131DS	1-1776296-1
80.0	96.6	TSB500 1031DS	1-1776296-0
70.0	86.6	TSB500 0931DS	1776296-9
60.0	76.6	TSB500 0831DS	1776296-8
50.0	66.6	TSB500 0731DS	1776296-7
40.0	56.6	TSB500 0631DS	1776296-6
30.0	46.6	TSB500 0531DS	1776296-5
20.0	36.6	TSB500 0431DS	1776296-4
10.0	26.6	TSB500 0331DS	1776296-3
-	16.6	TSB500 0213DS	1776296-2
-	6.6	TSB500 0131DS	1776296-1
DIM B	DIM A	T & B PART NUMBER	TE PART NUMBER

THIS DRAWING IS A CONTROLLED DOCUMENT.		DWN	S SCHLEGEL	3/18/05	 TE Connectivity Ltd.											
DIMENSIONS: mm		CHK	C RICHARD	3/18/05												
TOLERANCES UNLESS OTHERWISE SPECIFIED:		APVD	C RICHARD	3/18/05												
<table border="0"> <tr><td>0 PLC</td><td>± -</td></tr> <tr><td>1 PLC</td><td>± 0.3</td></tr> <tr><td>2 PLC</td><td>± 0.25</td></tr> <tr><td>3 PLC</td><td>± -</td></tr> <tr><td>4 PLC</td><td>± -</td></tr> <tr><td>ANGLES</td><td>± 2'</td></tr> </table>		0 PLC	± -	1 PLC		± 0.3	2 PLC	± 0.25	3 PLC	± -	4 PLC	± -	ANGLES	± 2'	PRODUCT SPEC	
0 PLC	± -															
1 PLC	± 0.3															
2 PLC	± 0.25															
3 PLC	± -															
4 PLC	± -															
ANGLES	± 2'															
MATERIAL SEE NOTES		FINISH SEE NOTES		EUROPA TERMINAL BLOCK W/WIRE PROTECTOR MOUNTING HOLES DIA 3.1, 10mm PITCH												
		WEIGHT	-		RESTRICTED TO											
		CUSTOMER DRAWING		SCALE	NTS											
		SHEET		1 OF 1	REV											
		P1														

单击下面可查看定价，库存，交付和生命周期等信息

[>>TE Connectivity\(泰科\)](#)