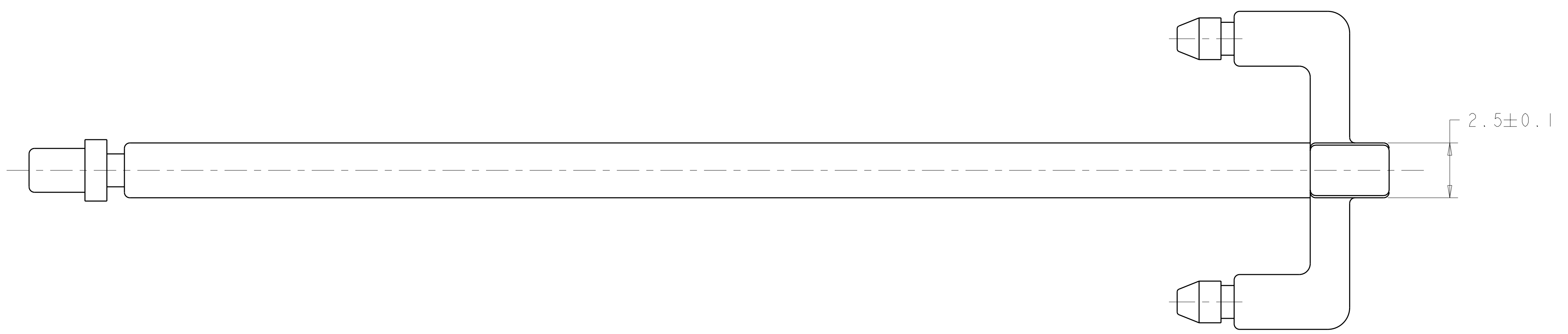
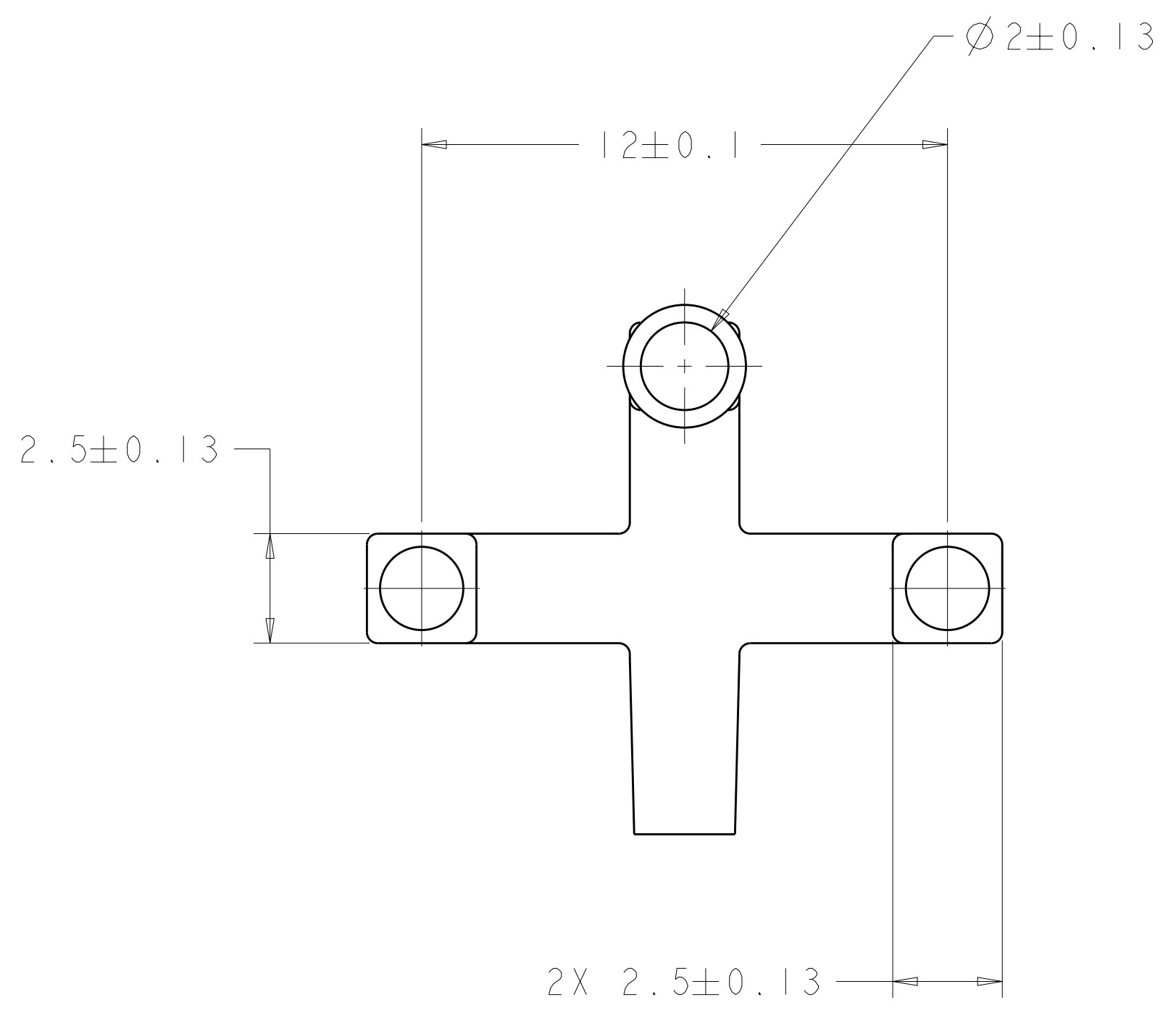


LOC	DIST	REV	DATE	DWN	APVD
GP	00	A	30SEP2008	CJV	JRP
REVISIONS			DESCRIPTION	DATE	DWN
			RELEASED PER ECO-08-024323	30SEP2008	CJV

△ MATERIAL: POLYCARBONATE, CLEAR UL94V-2 RATED.



1888634-1  
 PART NUMBER

DIMENSIONS: mm 		TOLERANCES UNLESS OTHERWISE SPECIFIED: 0 PLC ± 1 PLC ± 2 PLC ± 3 PLC ± 4 PLC ± ANGLES ± FINISH -		DWN B. MCMASTER 04OCT06 CHK E. BRIGHT 04OCT06 APVD F. BRIGHT 04OCT06 PRODUCT SPEC APPLICATION SPEC 114-13217 WEIGHT CUSTOMER DRAWING		Tyco Electronics Harrisburg, PA 17105-3608 NAME LIGHT PIPE, SINGLE, THRU BEZEL, OSFP SIZE CAGE CODE DRAWING NO A1100779C=1888634 SCALE 8:1 SHEET 1 OF 1 REV A	
-----------------------	--	---	--	---	--	--	--

单击下面可查看定价，库存，交付和生命周期等信息

[>>TE Connectivity\(泰科\)](#)