

THIS DRAWING IS UNPUBLISHED.

RELEASED FOR PUBLICATION

20

© COPYRIGHT 20 BY -

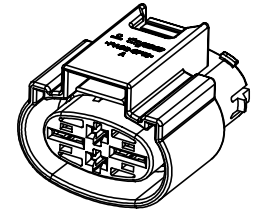
ALL RIGHTS RESERVED.

REVISIONS

P	LTR	DESCRIPTION	DATE	DWN	APVD
	A2	REVISED<ECR-11-024357>	02.DEC.11	KC	JK
	A3	REVISED<ECR-13-018599>	24.JAN.'14	JM	JK
	A4	REVISED<ECR-20-009303>	30.JUN.'20	CI	YJ

TABLE 2.

TAPE	PART NO.	INSULATION DIA. (mm)	COLOR
MCP2.8	828904-1	1.2 - 2.1	BLUE
	828904-2		
	828905-1	2.2 - 3.0	WHITE
	828922-1		CAVITY PLUG
MCP6.3	963243-1	1.4 - 2.1	BLUE
	963244-1	2.2 - 3.0	WHITE
	963245-1	3.4 - 3.7	YELLOW
	2188967-3	4.6 - 5.0	GRAY
	100132-1	CAVITY PLUG	BLACK



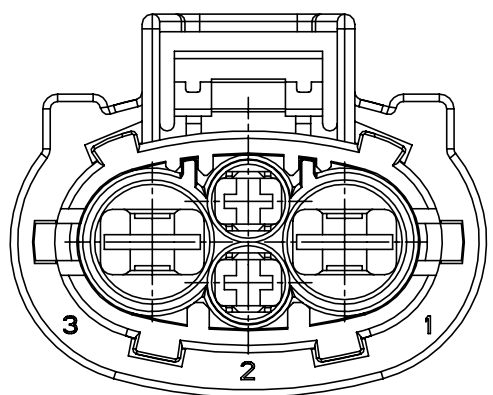
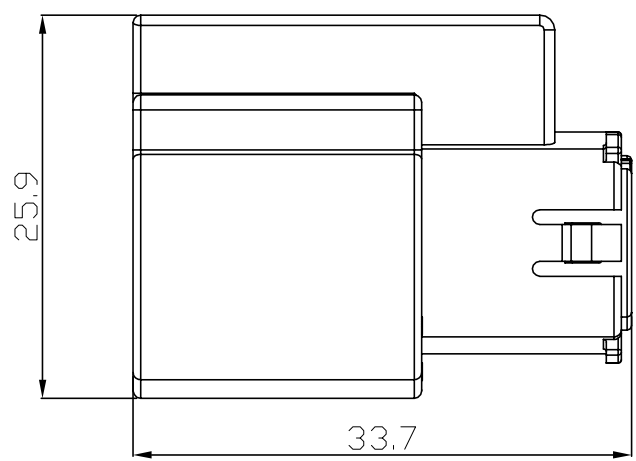
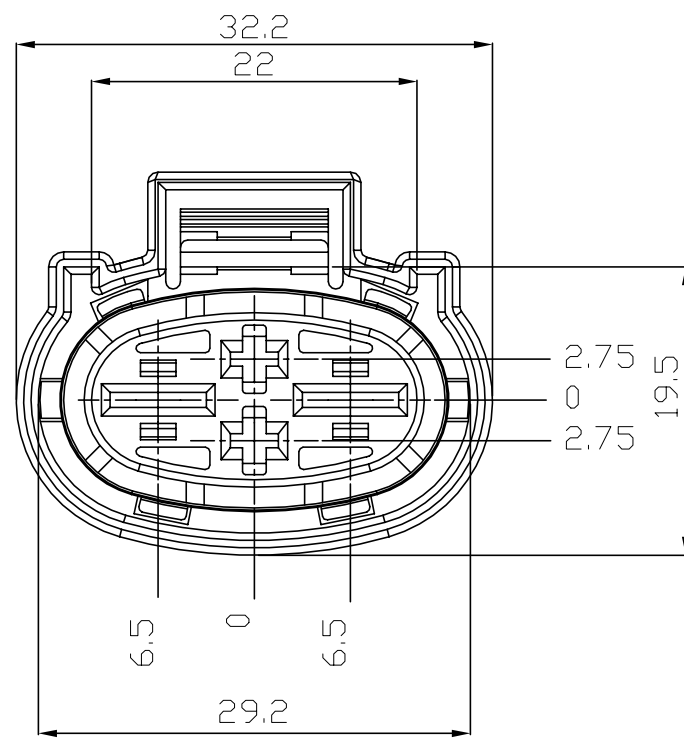
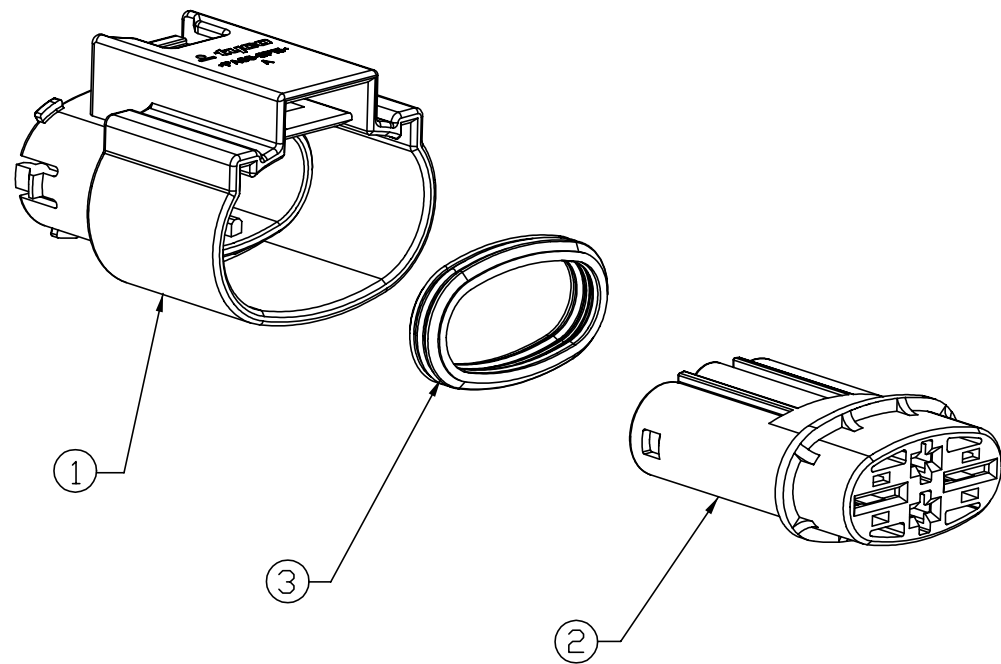
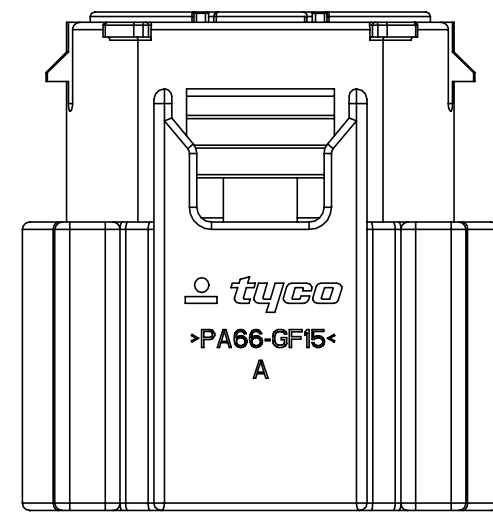
ISOMETRIC VIEW

TABLE 1.

TAPE	PART NO.	WIRE RANGE (mm)	INSULATION DIA. (mm)	FINISH
MCP2.8	1241392-1	0.2 - 0.35	1.1 - 1.4	CuNiSi, Tin
	1241392-2			CuNiSi, Gold
	1241392-3			CuNiSi, Silver
	1241394-1	0.5 - 1.0	1.4 - 2.1	CuNiSi, Tin
	1241394-2			CuNiSi, Gold
	1241394-3			CuNiSi, Silver
	1-968857-1	1.0 - 2.5	2.2 - 3.0	CuNiSi, Tin
	1-968857-3			CuNiSi, Silver
	MCP6.3	1241412-1	0.5 - 1.0	1.4 - 2.1
1241412-3		CuNiSi, Silver		
1241414-1		1.0 - 2.5	2.2 - 3.0	CuNiSi, Tin
1241414-3				CuNiSi, Silver
1241416-1		2.5 - 4.0	3.4 - 3.7	CuNiSi, Tin
1241416-3				CuNiSi, Silver
1241418-4		5.0	4.6 - 5.0	CuNiSi, Tin

NOTE

1. GENERAL TOLERANCE : ±0.3, ±3.0°
2. THE MATING CONNECTOR : 1897209-2
3. APPLICABLE RECEPTACLE CONTACT P/N: TABLE 1
4. APPLICABLE WIRE SEAL P/N: TABLE 2



NO.	DESCRIPTION	MATERIAL	COLOR	Q'TY
③	SEAL	SILICON	ORANGE	1
②	SUB PLUG HSG	PA66-GF15	BLACK	1
①	MAIN PLUG HSG	PA66-GF15	BLACK	1

THIS DRAWING IS A CONTROLLED DOCUMENT.

DWN JM JEON  
CHK JW JUNG  
APVD HG CHO  
PRODUCT SPEC  
APPLICATION SPEC  
WEIGHT

TE Connectivity

MCP HYB 4P PLUG ASSY

SIZE A3 CAGE CODE 00779 DRAWING NO C-1897210 RESTRICTED TO -

CUSTOMER DRAWING SCALE 2:1 SHEET 1 OF 1 REV A4

DIMENSIONS:	TOLERANCES UNLESS OTHERWISE SPECIFIED:
mm	
	0 PLC ±
	1 PLC ±
	2 PLC ±
	3 PLC ±
	4 PLC ±
	ANGLES ±
MATERIAL	FINISH
SEE TABLE	

单击下面可查看定价，库存，交付和生命周期等信息

[>>TE Connectivity\(泰科\)](#)