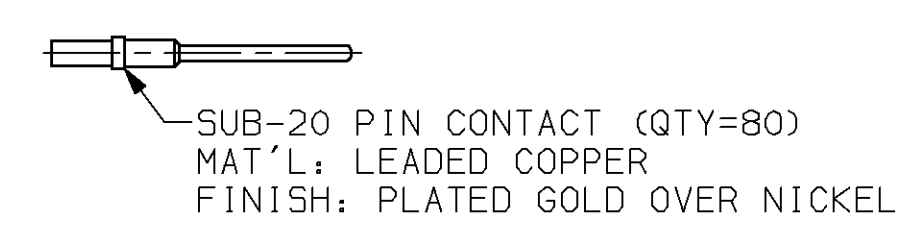
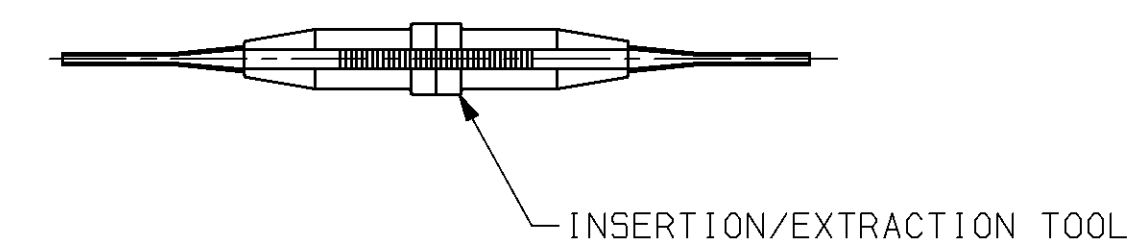
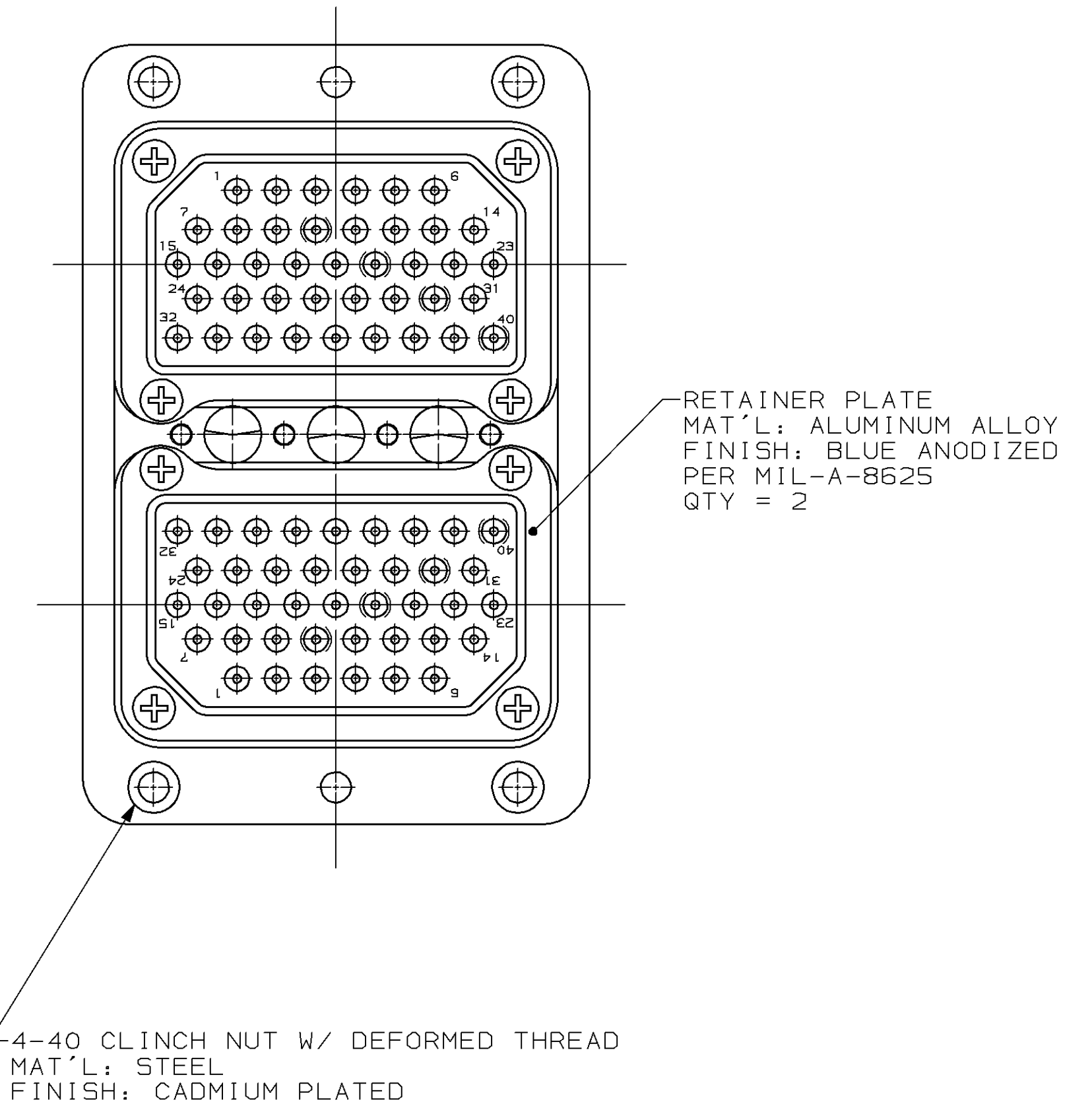
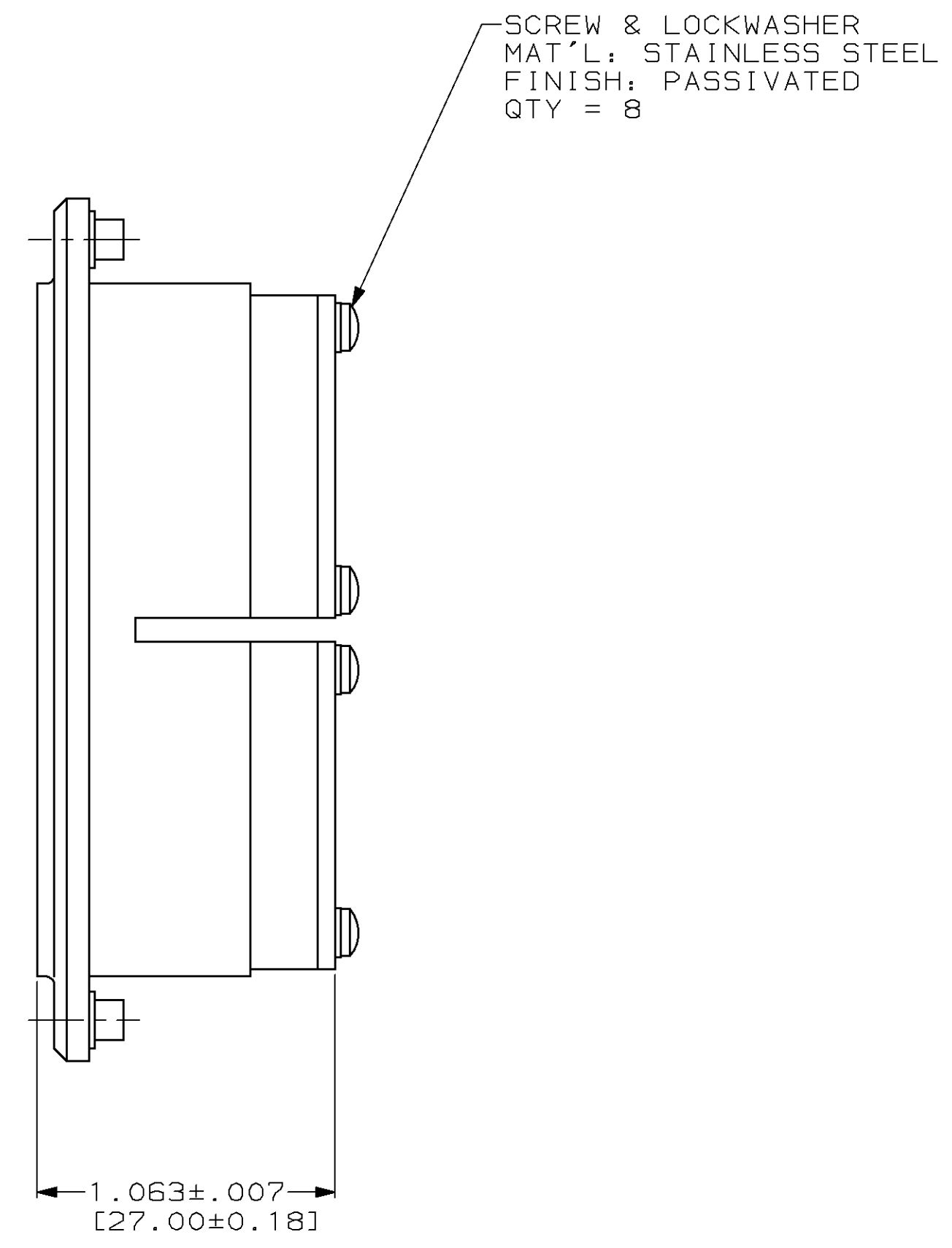
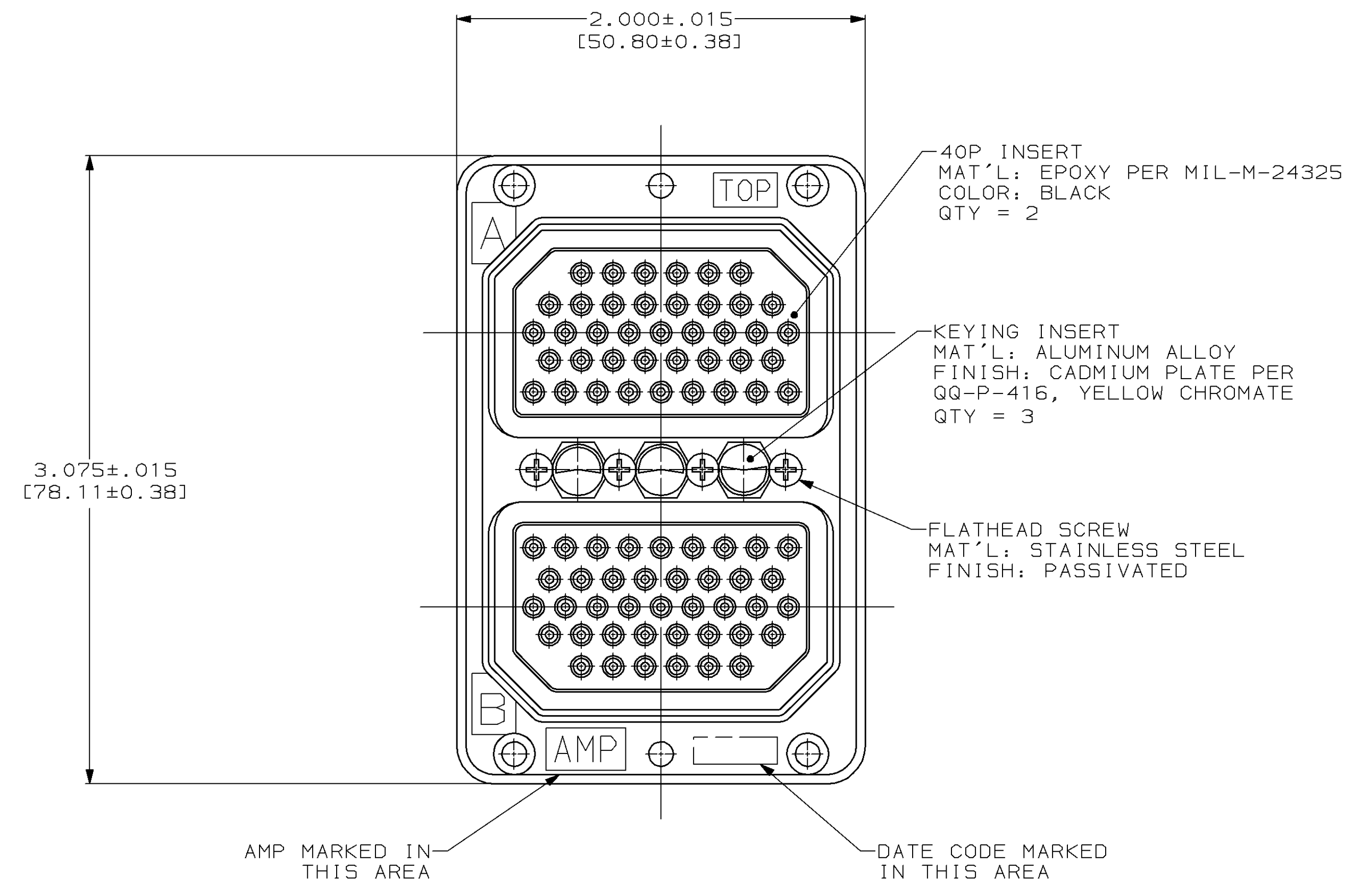
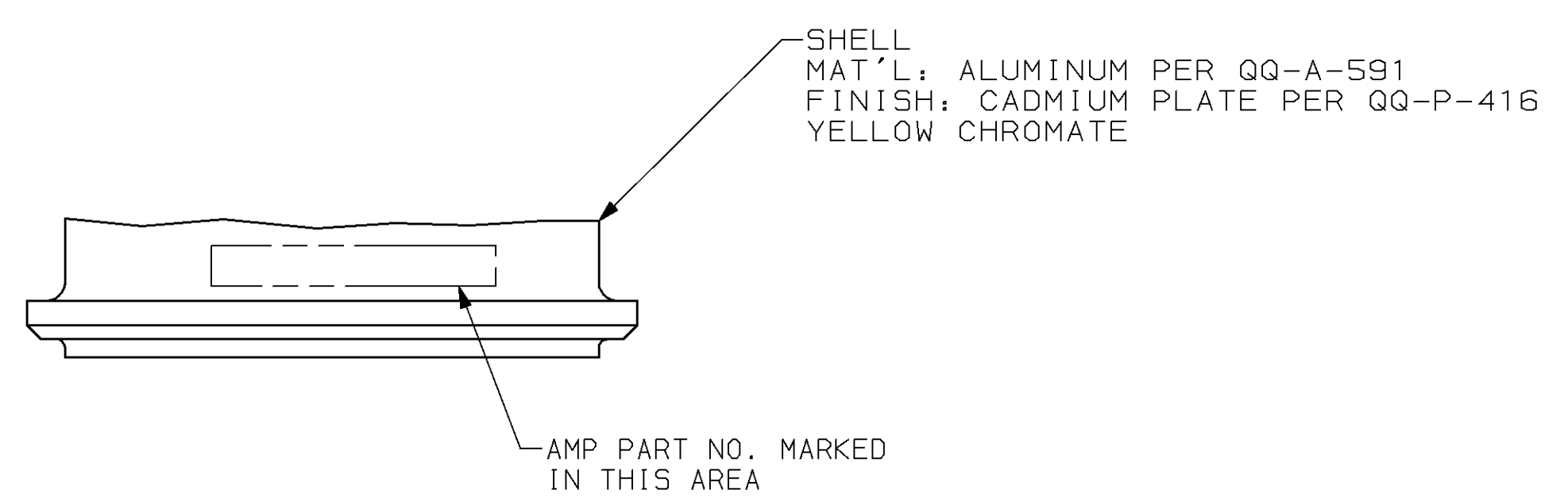


LOC		DIST		REVISIONS			
DF	AO	P	LTR	DESCRIPTION	DATE	OWN	APVD
		0		RELEASED PER 0600-7677-98	8-98	CT	DB



- CONTACTS ARE SHIPPED WITH CONNRCTOR; NOT LOADED.
- KEYING ASSEMBLED IN POSITION "04"

1218342-1
 PART NO.

<small>THIS DRAWING IS A CONTROLLED DOCUMENT FOR AMP TECHNOLOGIES. IT IS SUBJECT TO CHANGE AND THE CONTROLLING ENGINEERING ORGANIZATION SHOULD BE CONTACTED FOR THE LATEST REVISION.</small>		DWN C. C. THOMAS 8-18-98 CHK D. BELL 8-20-98 APVD D. BELL 8-20-98	AMP AMP Incorporated Harrisburg, PA 17105-3508
DIMENSIONS: (INCHES [mm])	TOLERANCES UNLESS OTHERWISE SPECIFIED: 0 PLC ±. 1 PLC ±. 2 PLC ±. 3 PLC ±.005 (0.13) 4 PLC ±. ANGLES ±. FINISH -	NAME RECEPTACLE ASSY, ARINC 404, RM2R40P40P-0104 (200)	SIZE A1
MATERIAL		APPLICATION SPEC WEIGHT CUSTOMER DRAWING	CAGE CODE 00779
		DRAWING NO 1218342	SCALE 2:1
		SHEET 1 OF 1	REV 0

单击下面可查看定价，库存，交付和生命周期等信息

[>>TE Connectivity\(泰科\)](#)