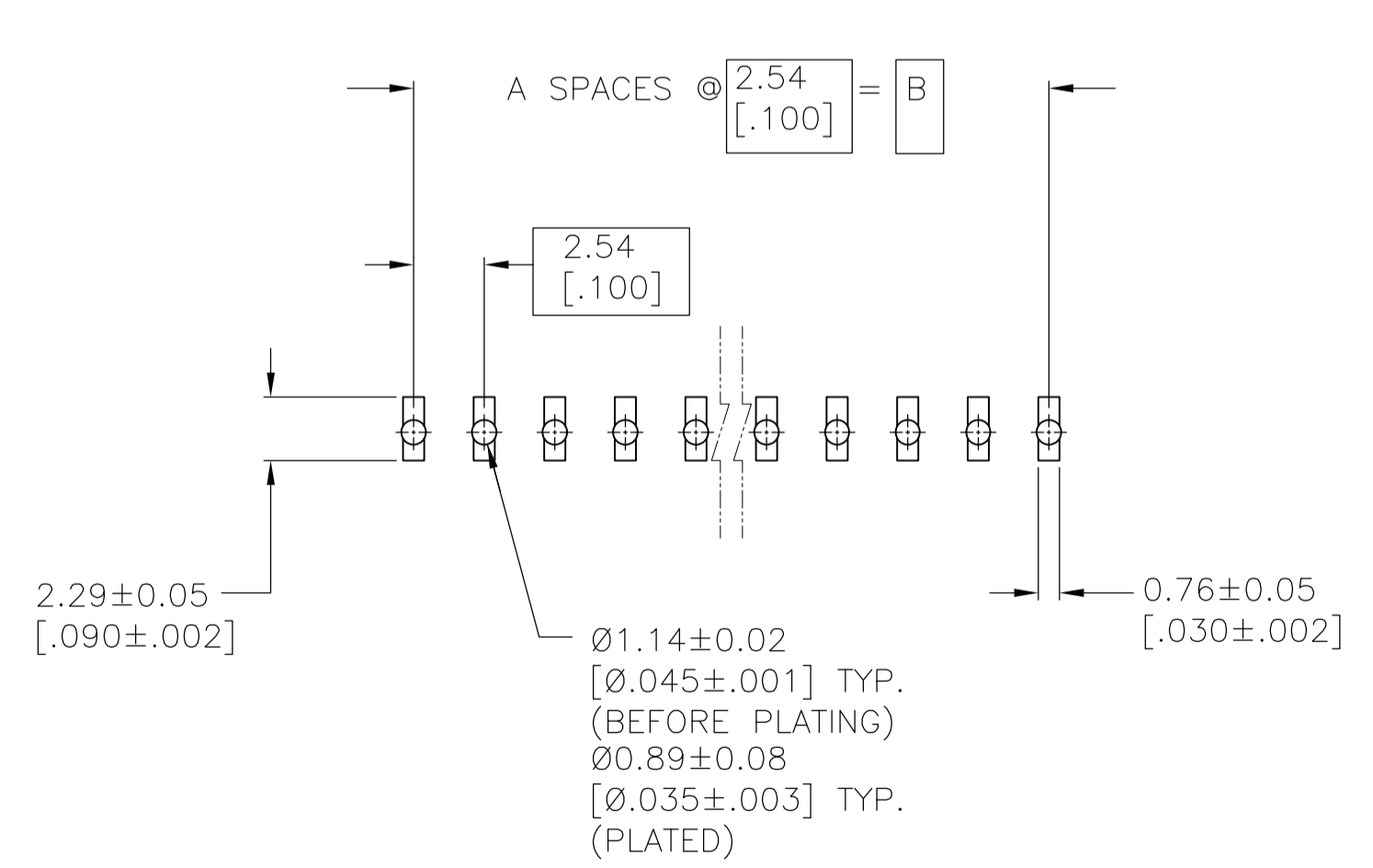
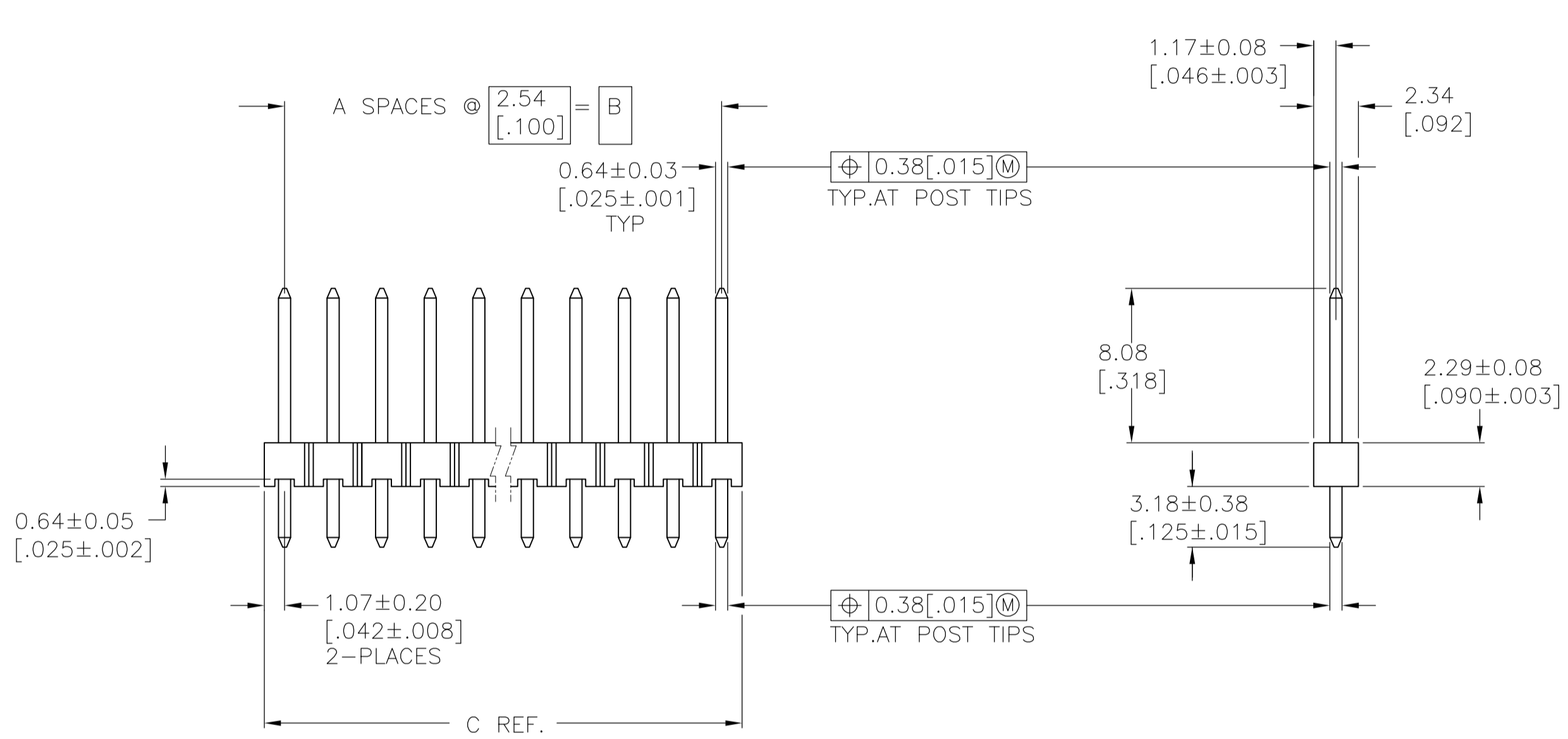


| REVISIONS | | | | |
|-----------|-----------|----|------|---------------|
| REV | DATE | BY | APPV | DESCRIPTION |
| H1 | 01SEP2016 | NK | MM | ECO-16-012733 |

- 1 ASSEMBLY MAY BE BROKEN TO THE DESIRED NUMBER OF POSITIONS.
- 2 TRUE POSITION TOLERANCE OF THE POST TIPS APPLIES WHEN, THE HEADERS ARE HELD FLAT AGAINST THE PRINTED CIRCUIT BOARD.
- 3 0.00254-0.00504 [.000100-.000200] MATTE TIN-LEAD ON SOLDER TAIL, ALL OVER 0.00127 [.000050] NICKEL.
- 4 HOUSING: LCP, COLOR-BLACK. POSTS: COPPER ALLOY.
- 5 0.00254-0.00504 [.000100-.000200] MATTE TIN ON SOLDER TAIL, ALL OVER 0.00127 [.000050] NICKEL.
- 6 OBSOLETE PARTS: OBSOLETE CIS STREAMLINING PER D.RENAUD/D.SINISI.



RECOMMENDED PC BOARD MOUNTING DIMENSIONS FOR .063 [.160] THICK PC BOARD AND .012 [.305] STENCIL THICK.

| PLATING | C | B | A | NO. OF POSITIONS | PART NUMBER |
|---------|----------------|---------------|----|------------------|-------------|
| | 101.19 [3.984] | 99.06 [3.900] | 39 | 40 | 9-146274-0 |
| | 98.65 [3.884] | 96.52 [3.800] | 38 | 39 | 8-146274-9 |
| | 96.11 [3.784] | 93.98 [3.700] | 37 | 38 | 8-146274-8 |
| | 93.57 [3.684] | 91.44 [3.600] | 36 | 37 | 8-146274-7 |
| | 91.03 [3.584] | 88.90 [3.500] | 35 | 36 | 8-146274-6 |
| | 88.49 [3.484] | 86.36 [3.400] | 34 | 35 | 8-146274-5 |
| | 85.95 [3.384] | 83.82 [3.300] | 33 | 34 | 8-146274-4 |
| | 83.41 [3.284] | 81.28 [3.200] | 32 | 33 | 8-146274-3 |
| | 80.87 [3.184] | 78.74 [3.100] | 31 | 32 | 8-146274-2 |
| | 78.33 [3.084] | 76.20 [3.000] | 30 | 31 | 8-146274-1 |
| | 75.79 [2.984] | 73.66 [2.900] | 29 | 30 | 8-146274-0 |
| | 73.25 [2.884] | 71.12 [2.800] | 28 | 29 | 7-146274-9 |
| | 70.71 [2.784] | 68.58 [2.700] | 27 | 28 | 7-146274-8 |
| | 68.17 [2.684] | 66.04 [2.600] | 26 | 27 | 7-146274-7 |
| | 65.63 [2.584] | 63.5 [2.500] | 25 | 26 | 7-146274-6 |
| | 63.09 [2.484] | 60.96 [2.400] | 24 | 25 | 7-146274-5 |
| | 60.55 [2.384] | 58.42 [2.300] | 23 | 24 | 7-146274-4 |
| | 58.01 [2.284] | 55.88 [2.200] | 22 | 23 | 7-146274-3 |
| | 55.47 [2.184] | 53.34 [2.100] | 21 | 22 | 7-146274-2 |
| | 52.93 [2.084] | 50.80 [2.000] | 20 | 21 | 7-146274-1 |
| | 50.39 [1.984] | 48.26 [1.900] | 19 | 20 | 7-146274-0 |
| | 47.85 [1.884] | 45.72 [1.800] | 18 | 19 | 6-146274-9 |
| | 45.31 [1.784] | 43.18 [1.700] | 17 | 18 | 6-146274-8 |
| | 42.77 [1.684] | 40.64 [1.600] | 16 | 17 | 6-146274-7 |
| | 40.23 [1.584] | 38.10 [1.500] | 15 | 16 | 6-146274-6 |
| | 37.69 [1.484] | 35.56 [1.400] | 14 | 15 | 6-146274-5 |
| | 35.15 [1.384] | 33.02 [1.300] | 13 | 14 | 6-146274-4 |
| | 32.61 [1.284] | 30.48 [1.200] | 12 | 13 | 6-146274-3 |
| | 30.07 [1.184] | 27.94 [1.100] | 11 | 12 | 6-146274-2 |
| | 27.53 [1.084] | 25.40 [1.000] | 10 | 11 | 6-146274-1 |
| | 24.99 [.984] | 22.86 [.900] | 9 | 10 | 6-146274-0 |
| | 22.45 [.884] | 20.32 [.800] | 8 | 9 | 5-146274-9 |
| | 19.91 [.784] | 17.78 [.700] | 7 | 8 | 5-146274-8 |
| | 17.37 [.684] | 15.24 [.600] | 6 | 7 | 5-146274-7 |
| | 14.83 [.584] | 12.70 [.500] | 5 | 6 | 5-146274-6 |
| | 12.29 [.484] | 10.16 [.400] | 4 | 5 | 5-146274-5 |
| | 9.75 [.384] | 7.62 [.300] | 3 | 4 | 5-146274-4 |
| | 7.21 [.284] | 5.08 [.200] | 2 | 3 | 5-146274-3 |
| | 4.67 [.184] | 2.54 [.100] | 1 | 2 | 5-146274-2 |
| | 2.13 [.084] | - | 0 | 1 | 5-146274-1 |

| PLATING | C | B | A | NO. OF POSITIONS | PART NUMBER |
|---------|----------------|---------------|----|------------------|-------------|
| | 101.19 [3.984] | 99.06 [3.900] | 39 | 40 | 4-146274-0 |
| | 98.65 [3.884] | 96.52 [3.800] | 38 | 39 | 3-146274-9 |
| | 96.11 [3.784] | 93.98 [3.700] | 37 | 38 | 3-146274-8 |
| | 93.57 [3.684] | 91.44 [3.600] | 36 | 37 | 3-146274-7 |
| | 91.03 [3.584] | 88.90 [3.500] | 35 | 36 | 3-146274-6 |
| | 88.49 [3.484] | 86.36 [3.400] | 34 | 35 | 3-146274-5 |
| | 85.95 [3.384] | 83.82 [3.300] | 33 | 34 | 3-146274-4 |
| | 83.41 [3.284] | 81.28 [3.200] | 32 | 33 | 3-146274-3 |
| | 80.87 [3.184] | 78.74 [3.100] | 31 | 32 | 3-146274-2 |
| | 78.33 [3.084] | 76.20 [3.000] | 30 | 31 | 3-146274-1 |
| | 75.79 [2.984] | 73.66 [2.900] | 29 | 30 | 3-146274-0 |
| | 73.25 [2.884] | 71.12 [2.800] | 28 | 29 | 2-146274-9 |
| | 70.71 [2.784] | 68.58 [2.700] | 27 | 28 | 2-146274-8 |
| | 68.17 [2.684] | 66.04 [2.600] | 26 | 27 | 2-146274-7 |
| | 65.63 [2.584] | 63.5 [2.500] | 25 | 26 | 2-146274-6 |
| | 63.09 [2.484] | 60.96 [2.400] | 24 | 25 | 2-146274-5 |
| | 60.55 [2.384] | 58.42 [2.300] | 23 | 24 | 2-146274-4 |
| | 58.01 [2.284] | 55.88 [2.200] | 22 | 23 | 2-146274-3 |
| | 55.47 [2.184] | 53.34 [2.100] | 21 | 22 | 2-146274-2 |
| | 52.93 [2.084] | 50.80 [2.000] | 20 | 21 | 2-146274-1 |
| | 50.39 [1.984] | 48.26 [1.900] | 19 | 20 | 2-146274-0 |
| | 47.85 [1.884] | 45.72 [1.800] | 18 | 19 | 1-146274-9 |
| | 45.31 [1.784] | 43.18 [1.700] | 17 | 18 | 1-146274-8 |
| | 42.77 [1.684] | 40.64 [1.600] | 16 | 17 | 1-146274-7 |
| | 40.23 [1.584] | 38.10 [1.500] | 15 | 16 | 1-146274-6 |
| | 37.69 [1.484] | 35.56 [1.400] | 14 | 15 | 1-146274-5 |
| | 35.15 [1.384] | 33.02 [1.300] | 13 | 14 | 1-146274-4 |
| | 32.61 [1.284] | 30.48 [1.200] | 12 | 13 | 1-146274-3 |
| | 30.07 [1.184] | 27.94 [1.100] | 11 | 12 | 1-146274-2 |
| | 27.53 [1.084] | 25.40 [1.000] | 10 | 11 | 1-146274-1 |
| | 24.99 [.984] | 22.86 [.900] | 9 | 10 | 1-146274-0 |
| | 22.45 [.884] | 20.32 [.800] | 8 | 9 | 1-146274-9 |
| | 19.91 [.784] | 17.78 [.700] | 7 | 8 | 146274-8 |
| | 17.37 [.684] | 15.24 [.600] | 6 | 7 | 146274-7 |
| | 14.83 [.584] | 12.70 [.500] | 5 | 6 | 146274-6 |
| | 12.29 [.484] | 10.16 [.400] | 4 | 5 | 146274-5 |
| | 9.75 [.384] | 7.62 [.300] | 3 | 4 | 146274-4 |
| | 7.21 [.284] | 5.08 [.200] | 2 | 3 | 146274-3 |
| | 4.67 [.184] | 2.54 [.100] | 1 | 2 | 146274-2 |
| | 2.13 [.084] | - | 0 | 1 | 146274-1 |

THIS DRAWING IS A CONTROLLED DOCUMENT.

STE TE Connectivity

HEADLINE ASSEMBLY, MOD II, BREAKAWAY, SINGLE ROW, HIGH TEMPERATURE, VERTICAL

012733

4:1

1 of 1

H1

单击下面可查看定价，库存，交付和生命周期等信息

[>>TE Connectivity\(泰科\)](#)