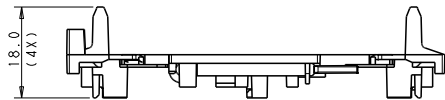
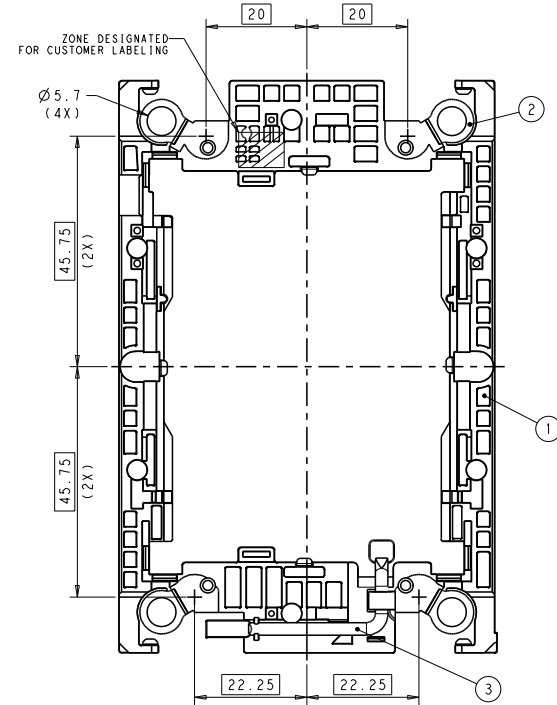
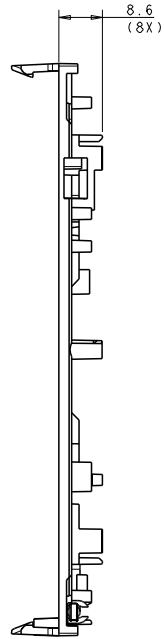
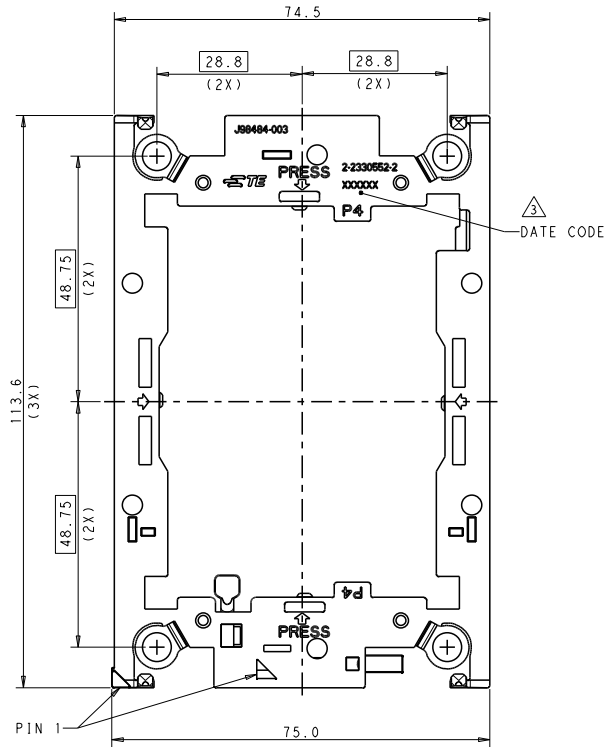


REVISIONS					
REV	DATE	BY	APP	DESCRIPTION	
B1	23 JUN 2012	W	S	L	REVISED

PN 2-2330552-2 AS SHOW



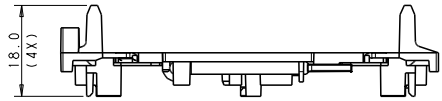
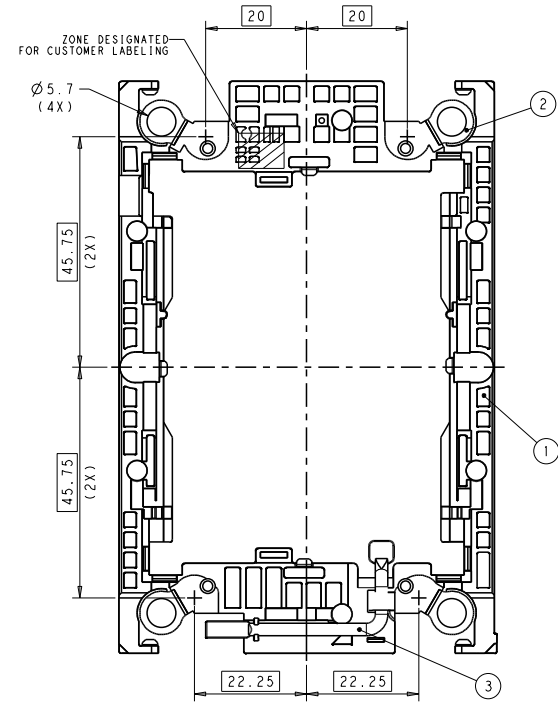
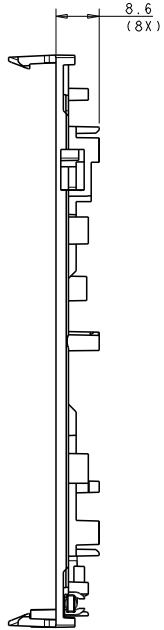
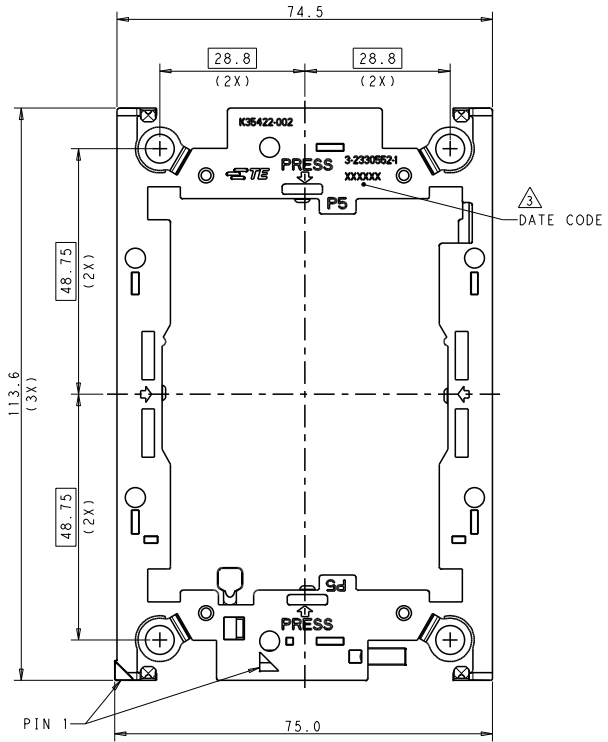
NOTE:

- MATERIAL:
 - ① CARRIER: PC-ABS, BLACK, UL94V-0
 - ② SHIM: STAINLESS STEEL
 - ③ TIM BREAK LEVER: STAINLESS STEEL
- THIS PRODUCT IS APPLICABLE FOR LGA4189 SOCKET.
- INDICATED DATE CODE ON THE CARRIER

THIS DRAWING IS A CONTROLLED DOCUMENT.		REV. WANG	08FEB2018	TE Connectivity
DIMENSIONS:		CHK	08FEB2018	
MATERIAL:		ILL J.V.	08FEB2018	ICX POINT PHM CARRIER ASSY, P4
FINISH:		APPS	SIMON J.L	
DRAWING NO.		PRODUCT SPEC	NAME	SIZE
CUSTOMER DRAWING		APPLICATION SPEC	SCALE	SHEET
SCALE		HEIGHT	RESTRICTED TO	REV
SCALE 2:1		HEIGHT	RESTRICTED TO	REV
SHEET 1 OF 2		HEIGHT	RESTRICTED TO	REV
SHEET 1 OF 2		HEIGHT	RESTRICTED TO	REV

REVISIONS				
REV	DATE	DESCRIPTION	BY	APP
-	-	SEE SHEET 1	-	-

PN 3-2330552-1 AS SHOW



- NOTE:
- MATERIAL:
 - ① CARRIER: PC-ABS, GREY, UL94V-0
 - ② SHIM: STAINLESS STEEL
 - ③ TIM BREAK LEVER: STAINLESS STEEL
 - THIS PRODUCT IS APPLICABLE FOR LGA4189 SOCKET.
 - INDICATED DATE CODE ON THE CARRIER

THIS DRAWING IS A CONTROLLED DOCUMENT.		REV: 08FEB2018	REF. WANG		TE Connectivity
DIMENSIONS: (UNLESS OTHERWISE SPECIFIED)		CHK: 08FEB2018	BILL. LV: 08FEB2018		
MATERIAL: FINISH: 316		APPR: SIMON.LI	NAME: PRODUCT SPEC		CPX POINT PHM CARRIER ASSY, P5
SIZE: A		APPLICATION SPEC		SIZE: A	
DRAWING NO: 00779		DRAWING NO: 2330552		RESTRICTED TO:	SCALE: 2:1 SHEET: 2 OF 2 REV: 0
CUSTOMER DRAWING		CUSTOMER DRAWING			

单击下面可查看定价，库存，交付和生命周期等信息

[>>TE Connectivity\(泰科\)](#)