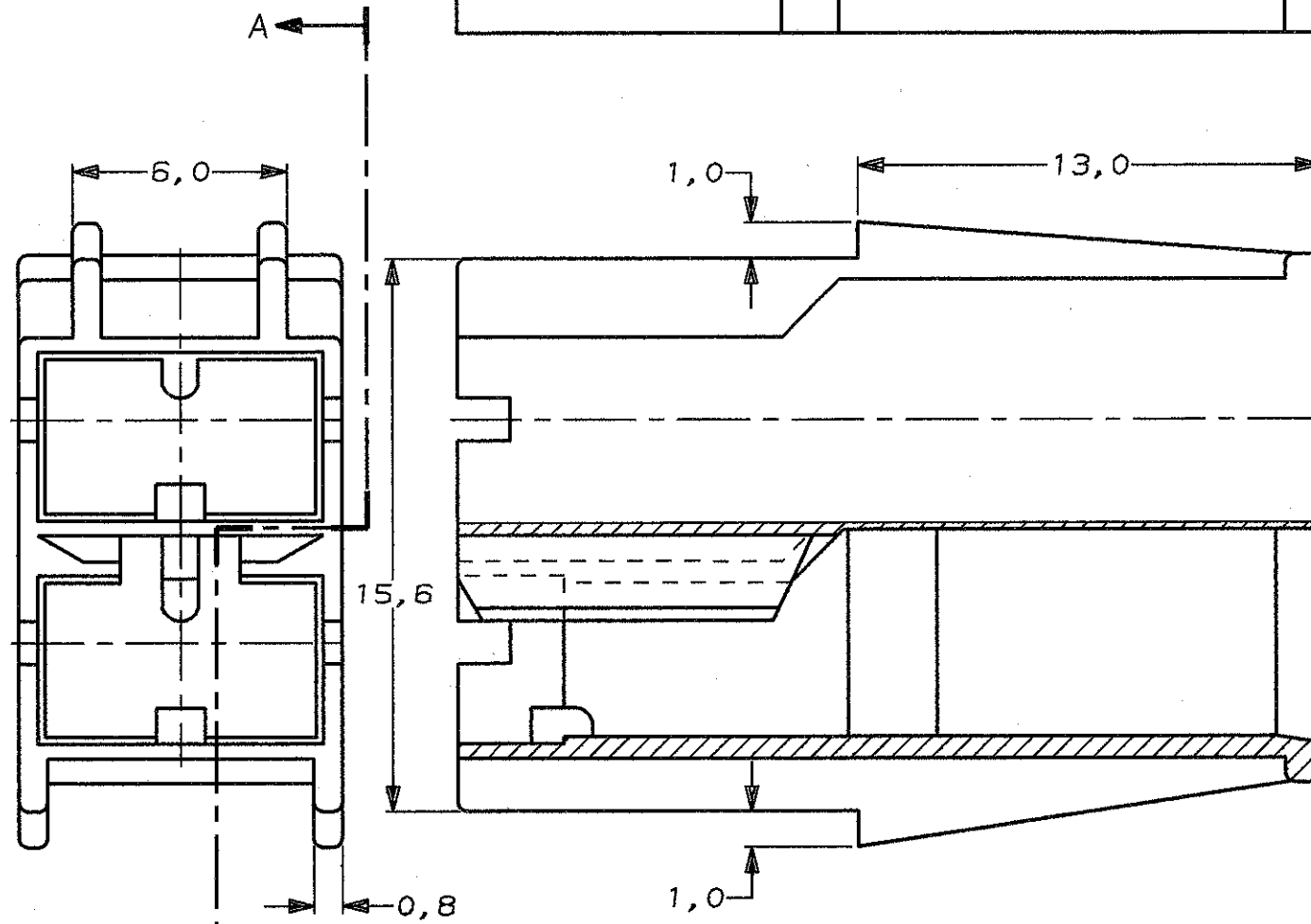
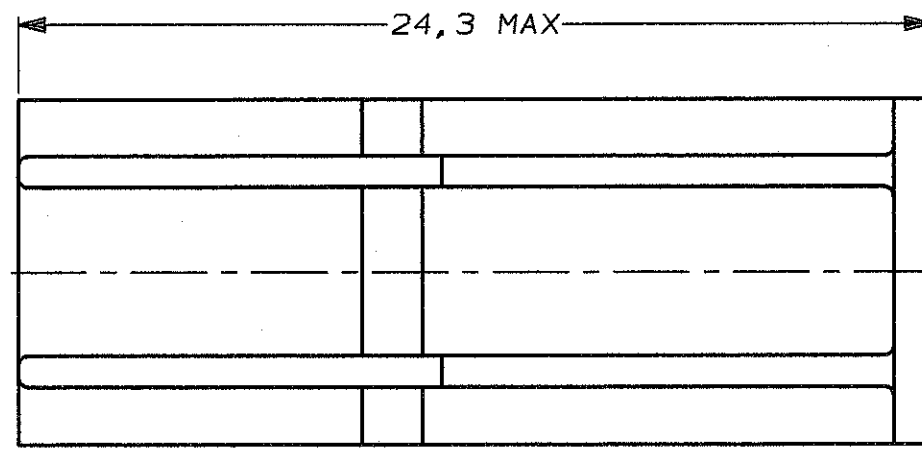


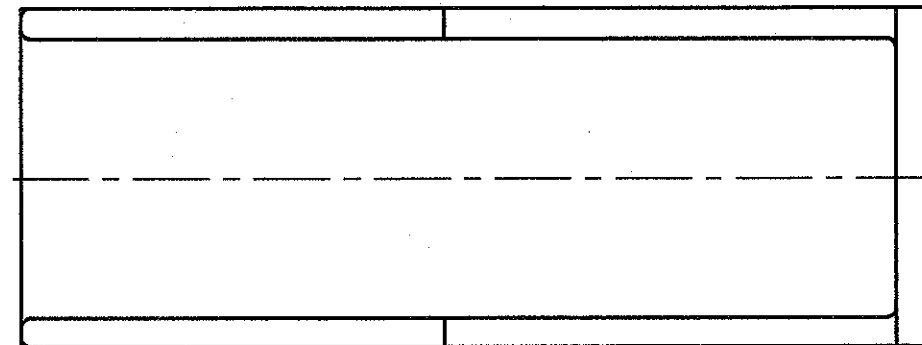
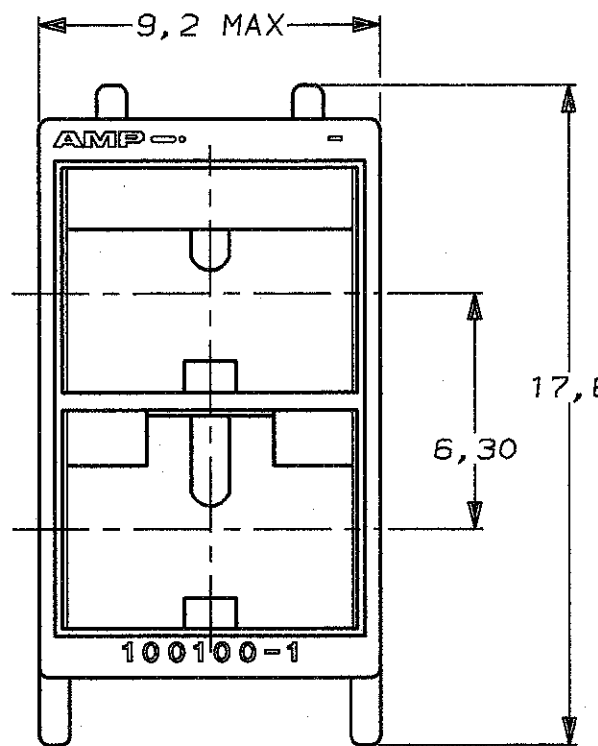
DO NOT SCALE
DIMENSIONS IN mm

METRIC

THIRD ANGLE
PROJECTION



SECTION A-A



CUSTOMER DRAWING	BLACK	PA 6.6 94V0	100100-1
	COLOUR	MATERIAL	PARTNUMBER
FOR REFERENCE ONLY WILL NOT BE UPDATED	AMP		AMP-HOLLAND B.V. 's-Hertogenbosch, The Netherlands.
	THIS DRAWING IS UNPUBLISHED RELEASED FOR PUBLICATION , 19		
© COPYRIGHT 19 - BY AMP-HOLLAND B.V. ALL INTERNATIONAL RIGHTS RESERVED. AMP PRODUCTS MAY BE COVERED BY U.S. AND FOREIGN PATENTS AND/OR PATENTS PENDING.			
DR. R. Daamen	DATE 14.06.90	WIRE RANGE -	NAME 2 POSITION POSITIVE-LOCK HOUSING
CHK. A. Bijnen	DATE -	INSUL. RANGE -	REV. DATE D M Y 31 07 90
APP. L. v. Soest	DATE 22-8-90	SIZE A3	SHEET 1 OF 1
		DWG. No.	C-100100
			REV. LTR. 0

单击下面可查看定价，库存，交付和生命周期等信息

[>>TE Connectivity\(泰科\)](#)