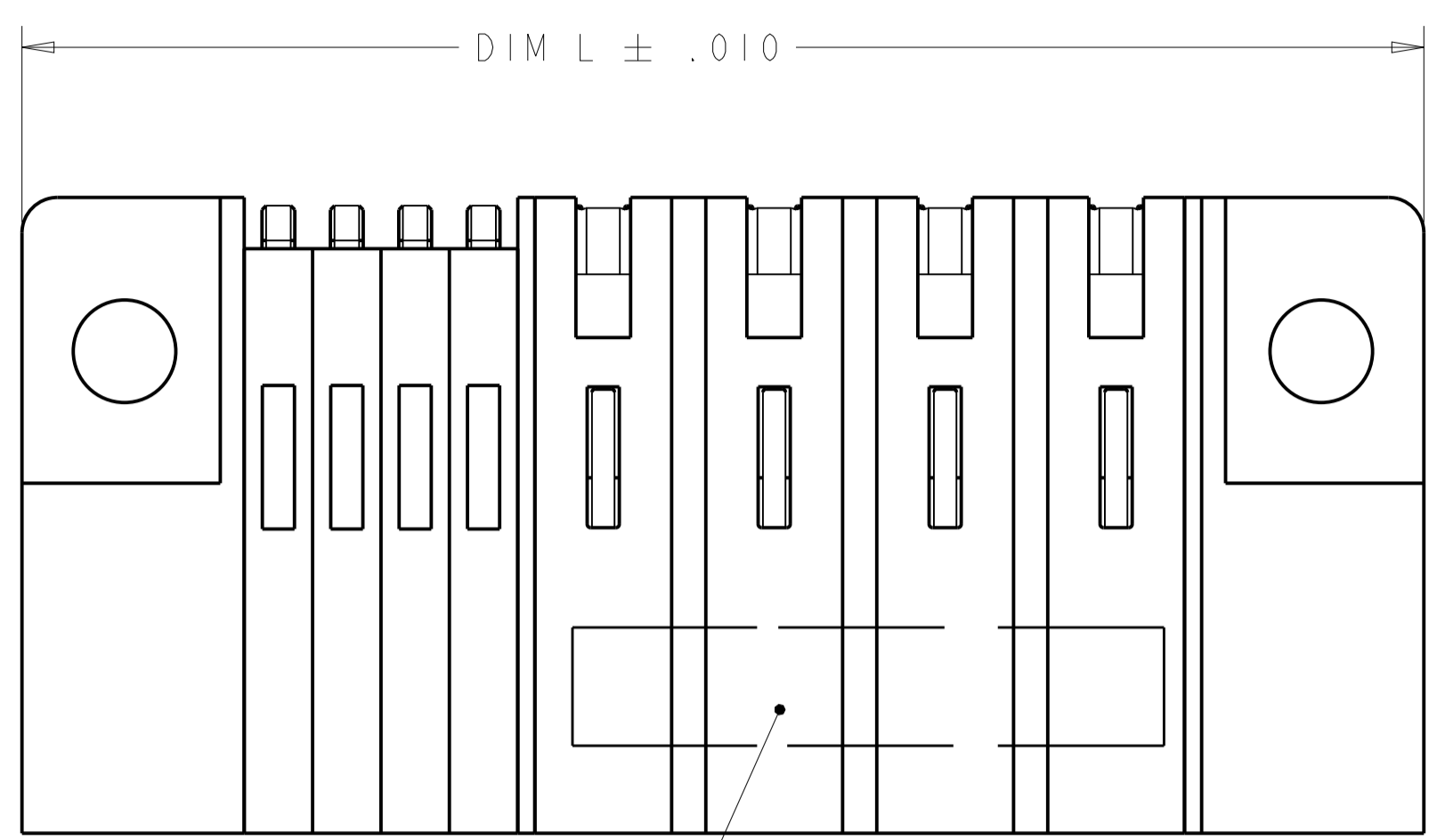
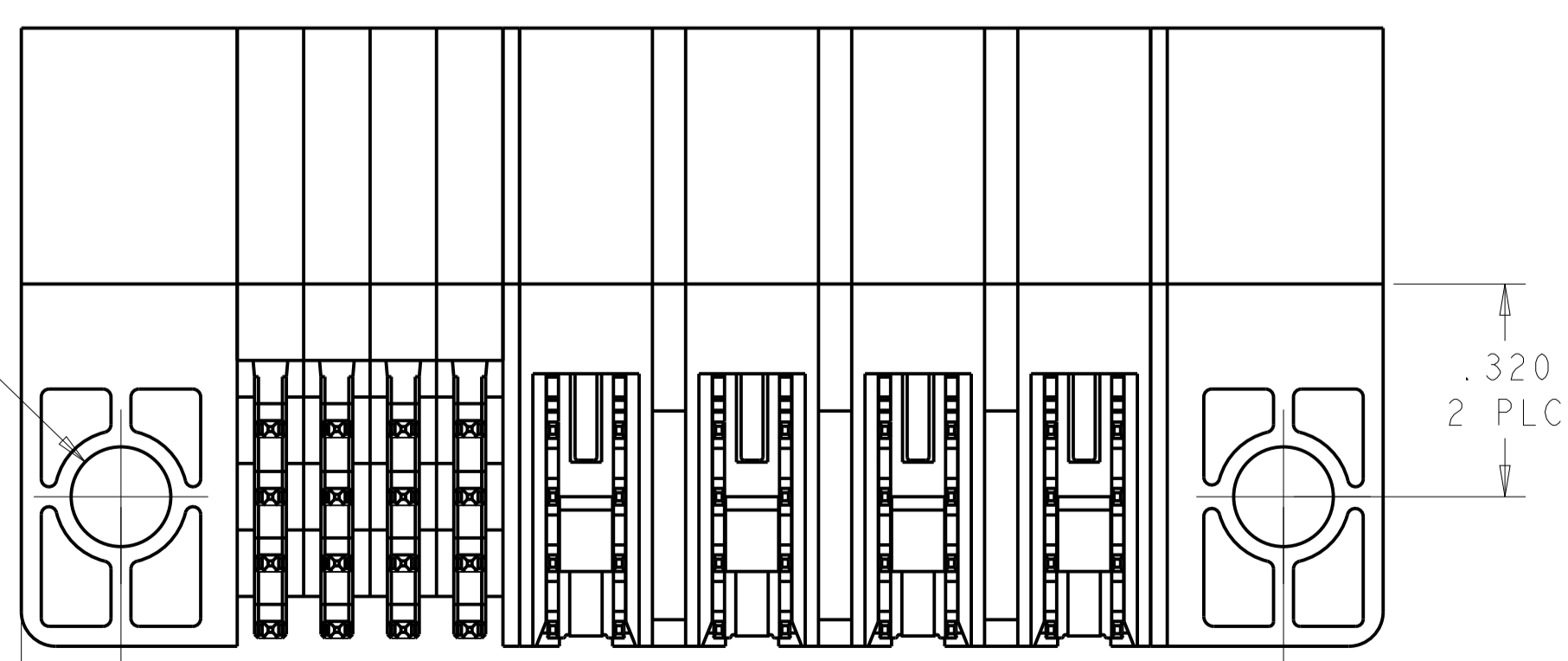
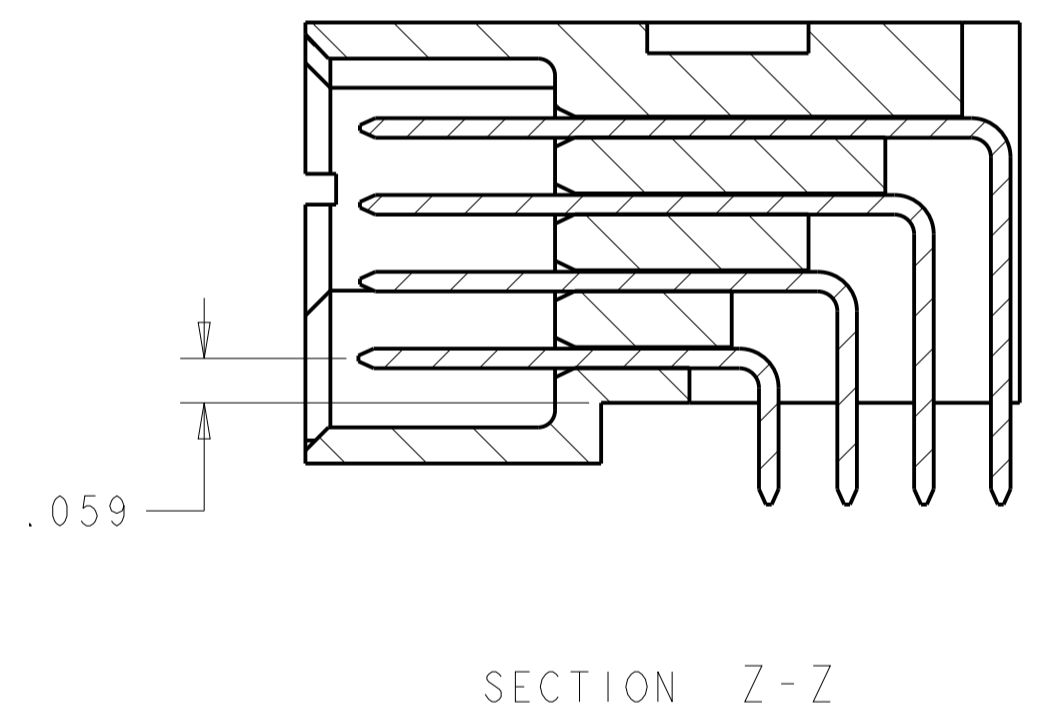
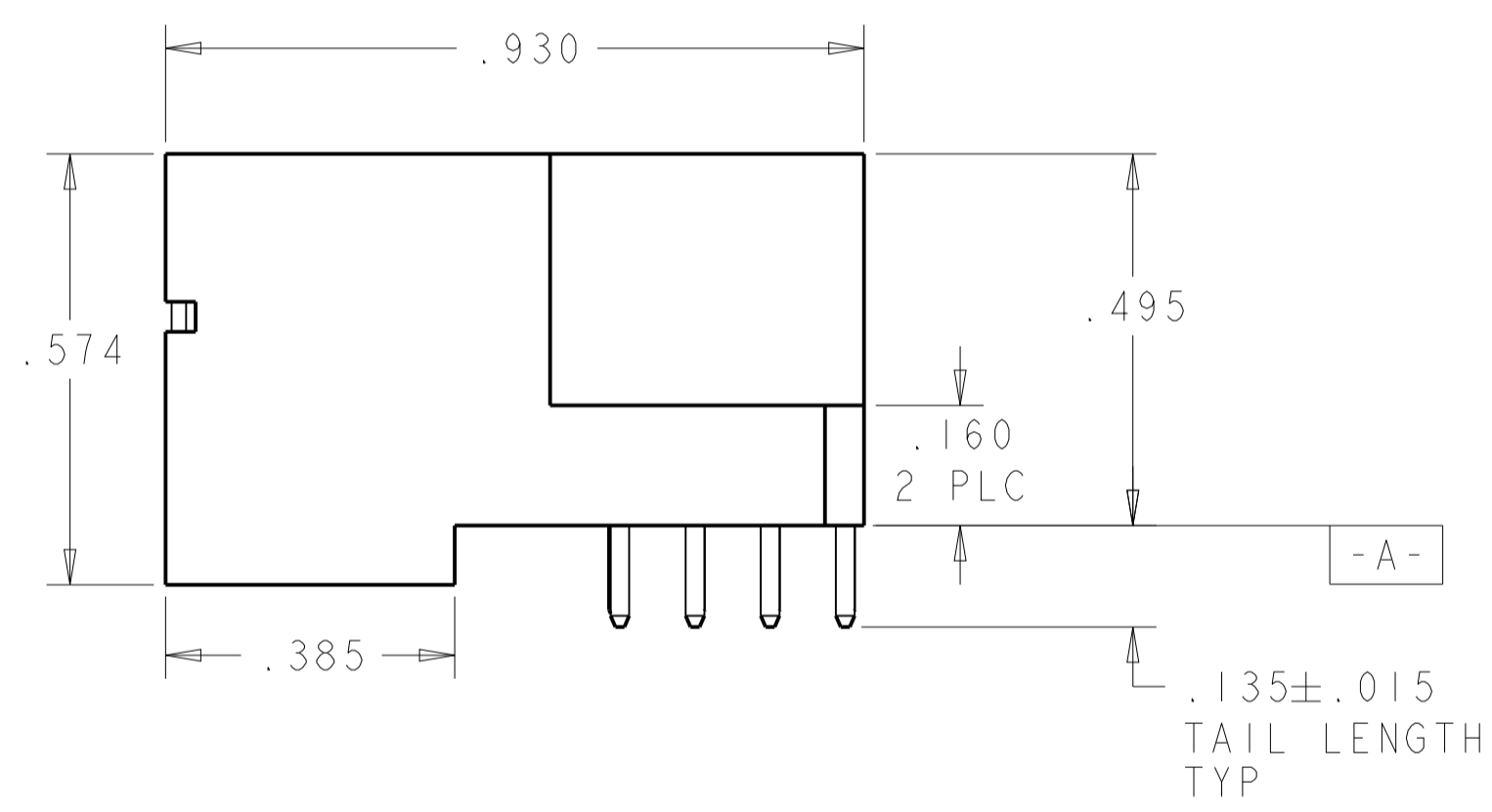
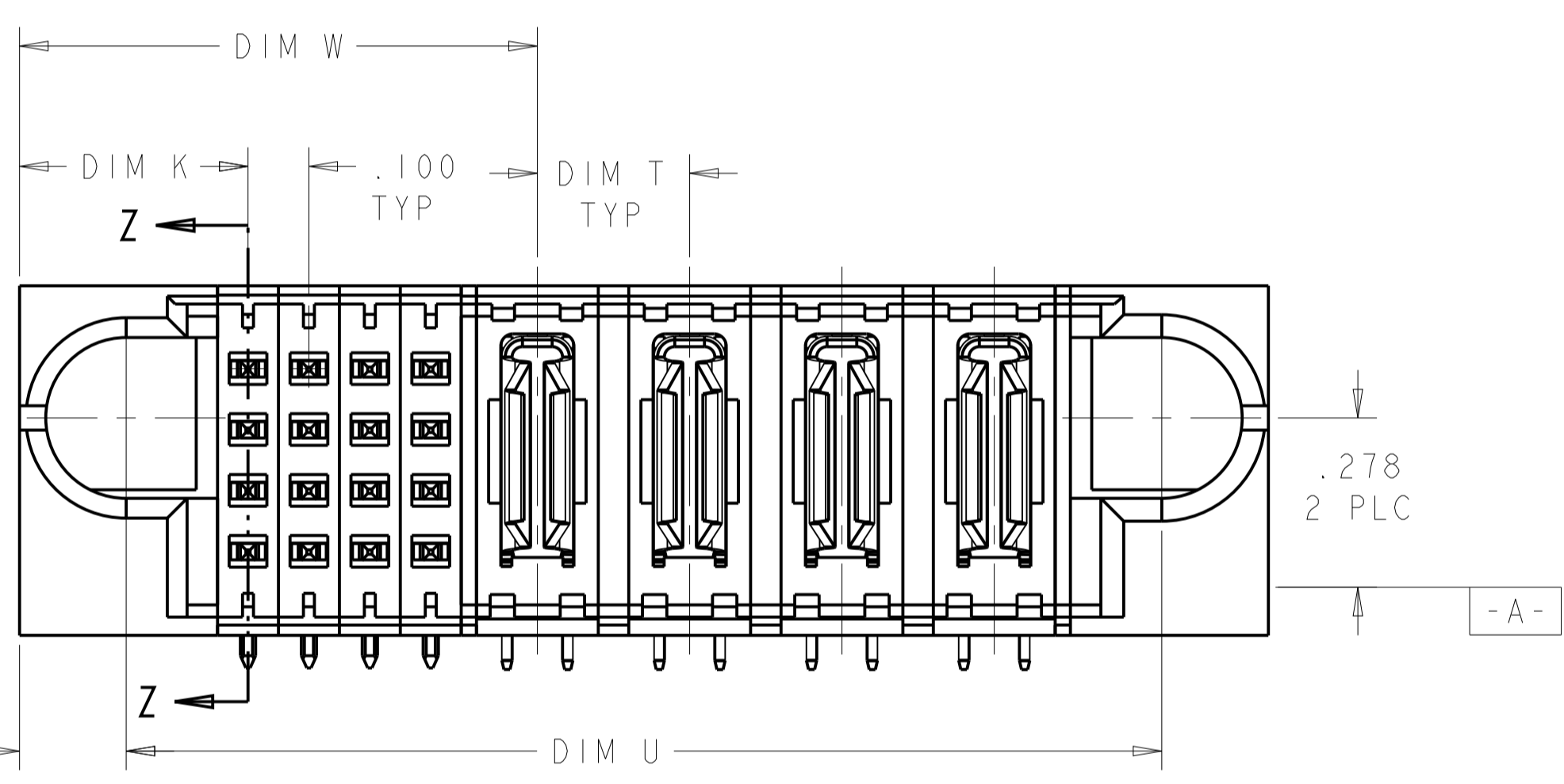


LOC	DIST	REVISIONS			
		REV	DATE	BY	APPV
ES	00	E9	17SEP2014	AL	SZ



- 1 "AMP", PART NUMBER, AND DATECODE TO BE MARKED IN AREA SHOWN. PARTS UNDER 2.00 LONG MAY BE MARKED ON BOTH SIDES.
- 2 MATERIAL: HOUSING - GLASS FILLED HIGH TEMP THERMO PLASTIC, UL94 V-0
SIGNAL CONTACT - COPPER ALLOY
POWER CONTACT - HIGH CONDUCTIVITY COPPER ALLOY
- 3 CONTACT PLATING: NOBLE METAL PLATING ON CONTACT FUNCTIONAL AREA OF POWER AND SIGNAL CONTACTS
- 4 MECHANICAL CONNECTOR KEEP OUT ZONE.
- 5 DATUM AND BASIC DIMENSIONS ESTABLISHED BY CUSTOMER.
- 6 PCB - HOLE DIAMETERS ARE FINISHED HOLE SIZE.
- 7 PCB - .0453±.0010 DRILLED HOLES PLATED WITH .0003 MIN Sn OVER .001 TO .003 Cu PLATING TO ACHIEVE A .040 DIA HOLE.
- 8 NOT RELEASED FOR PRODUCTION.
- 9 VARIABLE DIMENSION SHOW ON VIEW (SHEET 2, SHEET 3 AND SHEET 5).



DIM W	DIM K	DIM T	DIM D	DIM U	DIM L	DESCRIPTION	PART NUMBER
-	.375	-	1.750	1.700	2.050	56S	1-6450331-6
.750	.375	.250	1.650	1.600	1.950	12S + 4P	1-6450331-5
1.050	.375	.200	3.375	3.500	3.675	24S + 12HDP	1-6450331-4
1.050	.375	.200	3.000	2.950	3.300	24S + 10HDP	1-6450331-3
1.100	.400	△	3.275	3.225	3.575	24S + 9P	1-6450331-2
.825	.375	.200	1.550	1.500	1.850	16S + 4P	1-6450331-1
.750	.375	.250	1.650	1.600	1.950	12S + 4P	1-6450331-0
1.050	.375	.250	2.450	2.400	2.750	24S + 6P	6450331-9
.850	.375	.250	2.000	1.950	2.300	16S + 5P	6450331-8
1.075	.400	△	2.650	2.600	2.950	24S + 8P	6450331-7
.850	.375	.250	1.750	1.700	2.050	16S + 4P	6450331-6
1.250	.375	△	3.450	3.400	3.750	32S + 11P	6450331-3

THIS DRAWING IS A CONTROLLED DOCUMENT. DIMENSIONS: INCHES. TOLERANCES UNLESS OTHERWISE SPECIFIED: 0 PLC ±.01, 2 PLC ±.01, 3 PLC ±.005, 4 PLC ±.0020, ANGLES ±.020. MATERIAL: 3. FINISH: 4. THIS DRAWING IS A CONTROLLED DOCUMENT. DWN: DENNY ZHU 07AUG2006, CHK: SUNY ZHAO 07AUG2006, APVD: SUNY ZHAO. NAME: SUNY ZHAO. PRODUCT SPEC: 108-1973. APPLICATION SPEC: 114-13038. WEIGHT: -. SIZE: A1. CAGE CODE: 100779. DRAWING NO: 6450331. RESTRICTED TO: Customer Drawing. SCALE: 4:1. SHEET: 1 OF 7. REV: E9.

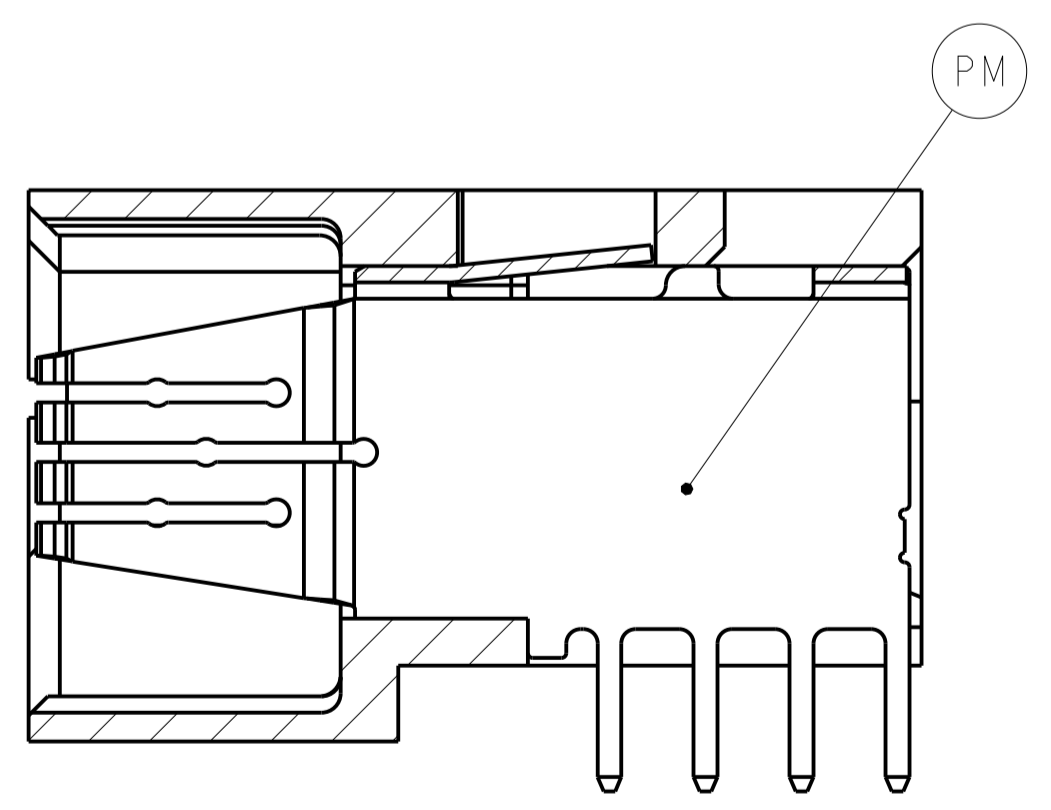
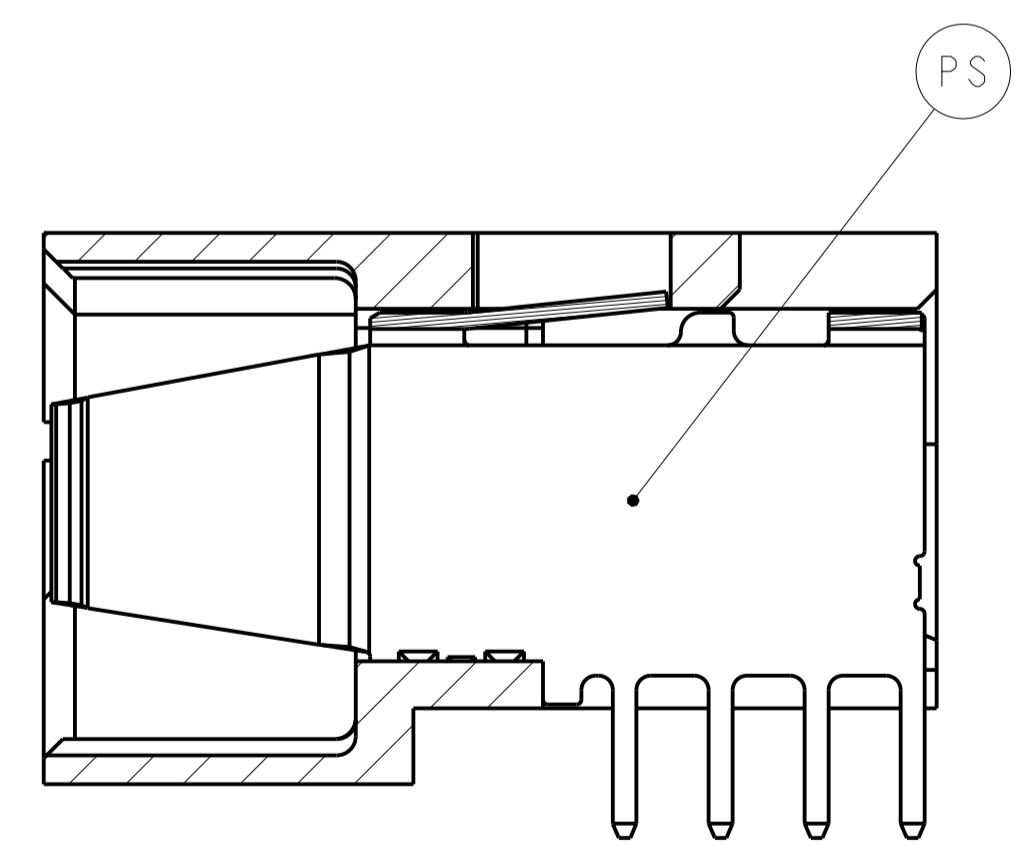
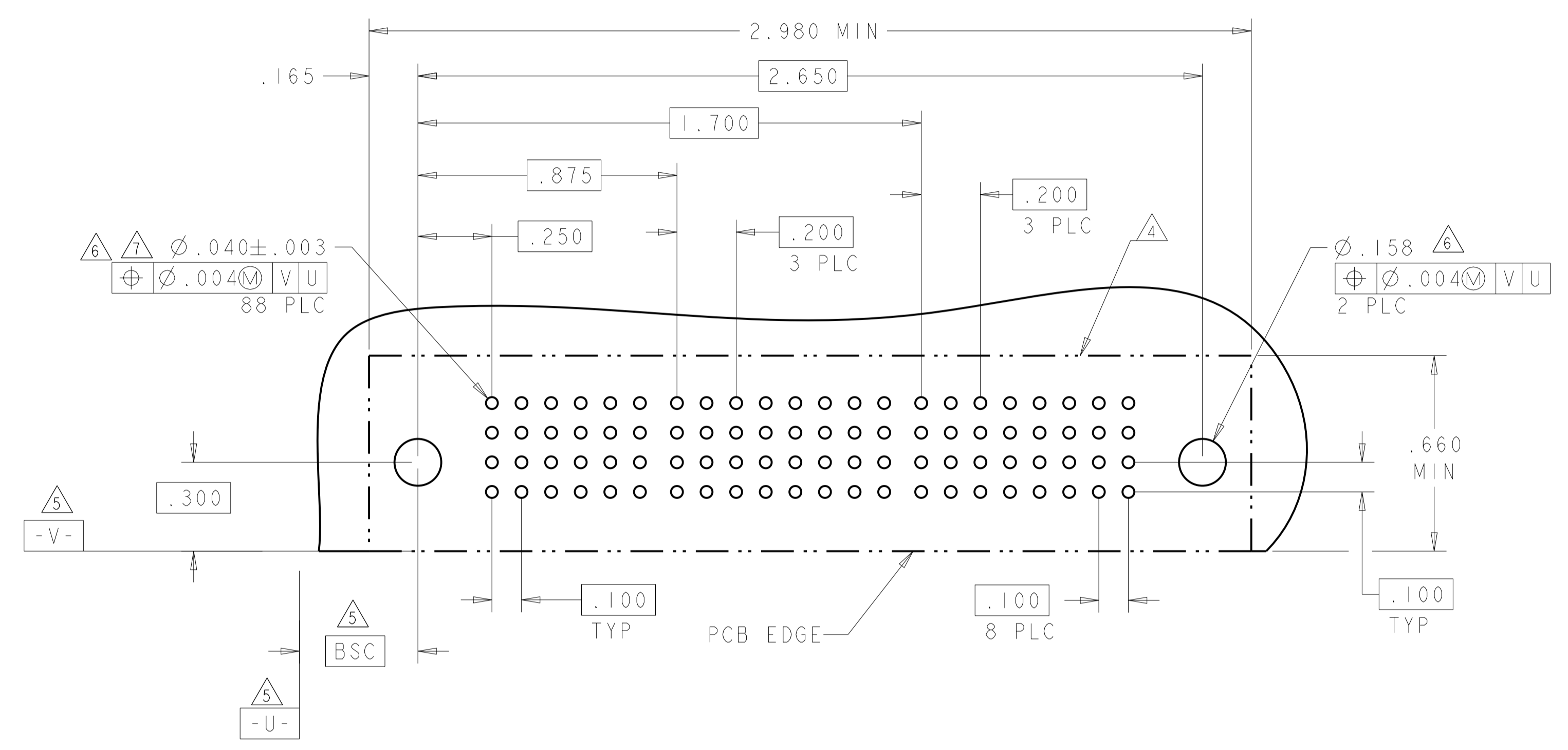
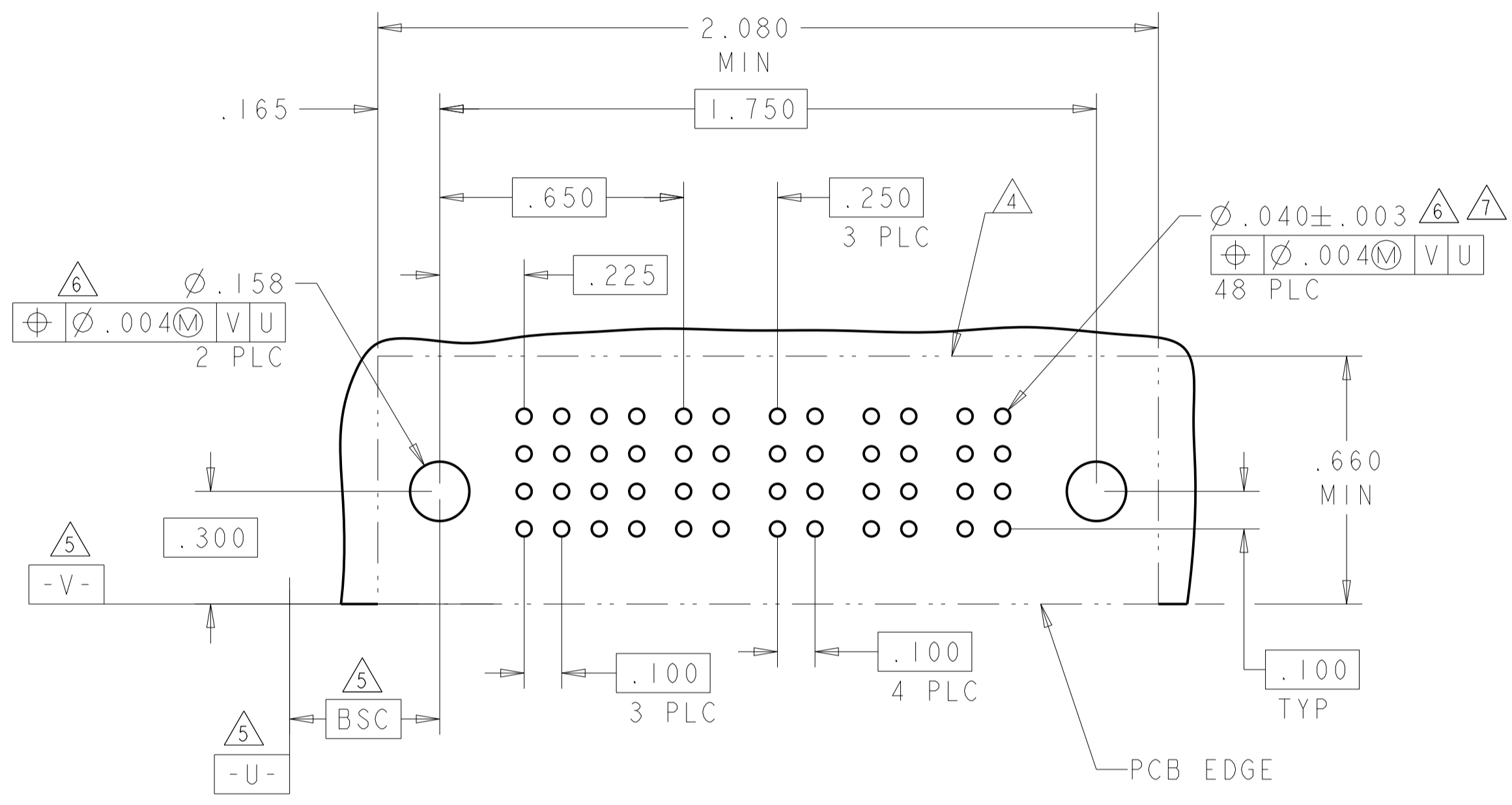
LOC	DIST	REV	DATE	BY	APPV
ES	00				

PART NUMBER	ROWS	SIGNAL				POWER			
		1	2	3	4	P1	P2	P3	P4
6450331-6	D	J	J	J	J	PS	PS	PS	PS
	C	K	K	K	K				
	B	N	N	N	N				
	A	H	S	S	S				

16S + 4P

ASSY PART NUMBER	ROWS	SIGNAL						POWER							
		1	2	3	4	5	6	P1	P2	P3	P4	P5	P6	P7	P8
6450331-7	D	J	J	J	J	J	J	PM	PM	PM	PM	PM	PM	PM	PM
	C	K	K	K	K	K	K								
	B	N	N	N	N	N	G								
	A	S	S	S	S	S	S								

24S + 8P



DUAL BEAM

FOUR BEAM

ROW	DESCRIPTION	CODE
D	SIGNAL CONTACT, STD	J
C	SIGNAL CONTACT, STD	K
B	SIGNAL CONTACT, STD	N
A	SIGNAL CONTACT, STD	S
A	SIGNAL CONTACT, MLBF	H
B	SIGNAL CONTACT, MLBF	G
C	SIGNAL CONTACT, MLBF	F
D	SIGNAL CONTACT, MLBF	E
-	POWER CONTACT(FOUR BEAM)	PM
-	POWER CONTACT(DUAL BEAM)	PS

THIS DRAWING IS A CONTROLLED DOCUMENT.

OWN: DENNY ZHU 07AUG2006
 CHK: SUNY ZHAO 07AUG2006
 APVD: SUNY ZHAO

DIMENSIONS: INCHES
 TOLERANCES UNLESS OTHERWISE SPECIFIED:
 0 PLC ±.
 1 PLC ±.01
 2 PLC ±.01
 3 PLC ±.005
 4 PLC ±.0020
 ANGLES ±.020

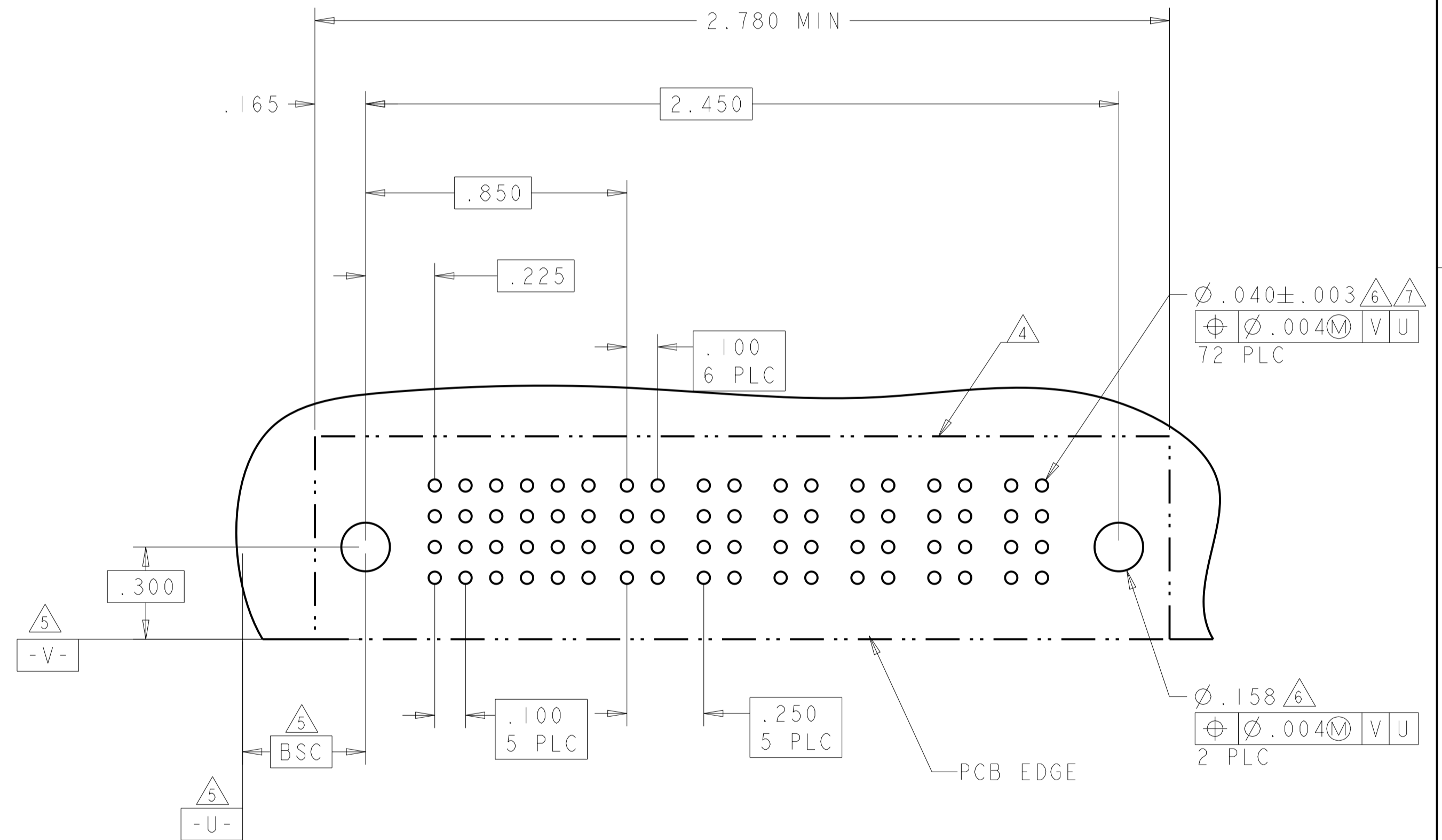
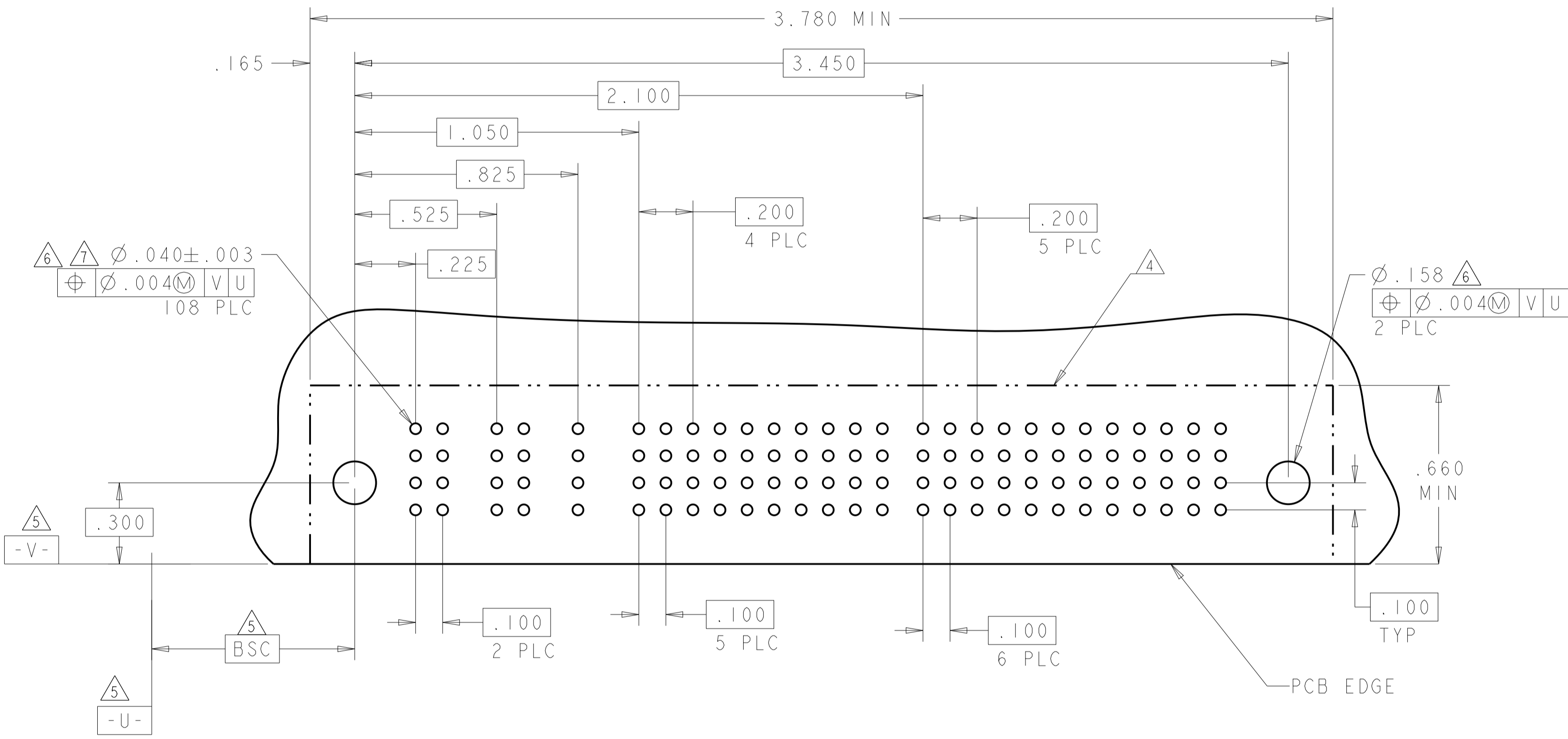
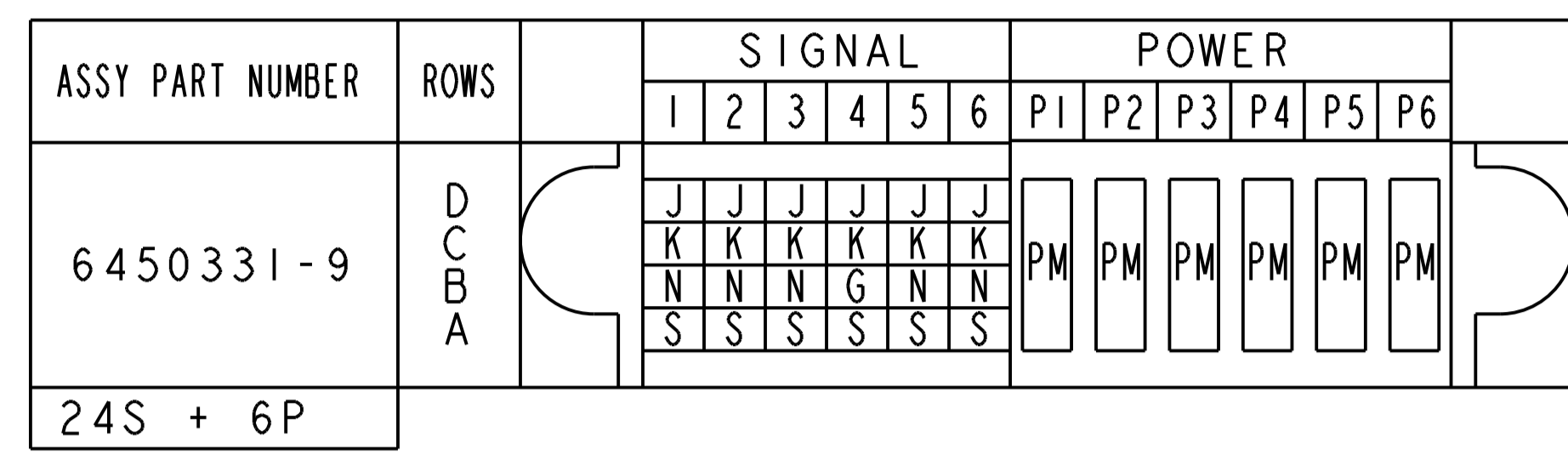
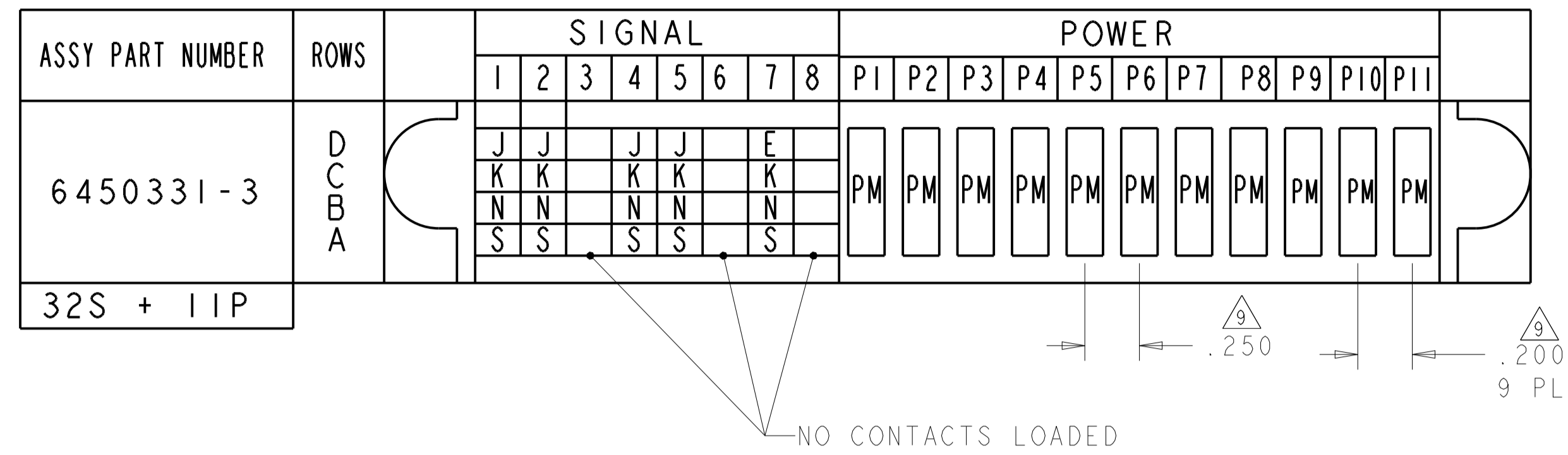
MATERIAL: 3
 FINISH: 4

Customer Drawing

NAME: RIGHT ANGLE HEADER ASSEMBLY WITH GUIDES, .150 MOUNTING HOLES DUAL BEAM XL SOLDER TYPE
 PRODUCT SPEC: 108-1973
 APPLICATION SPEC: 114-13038
 SIZE: A1
 CAGE CODE: 6450331
 DRAWING NO: 00779

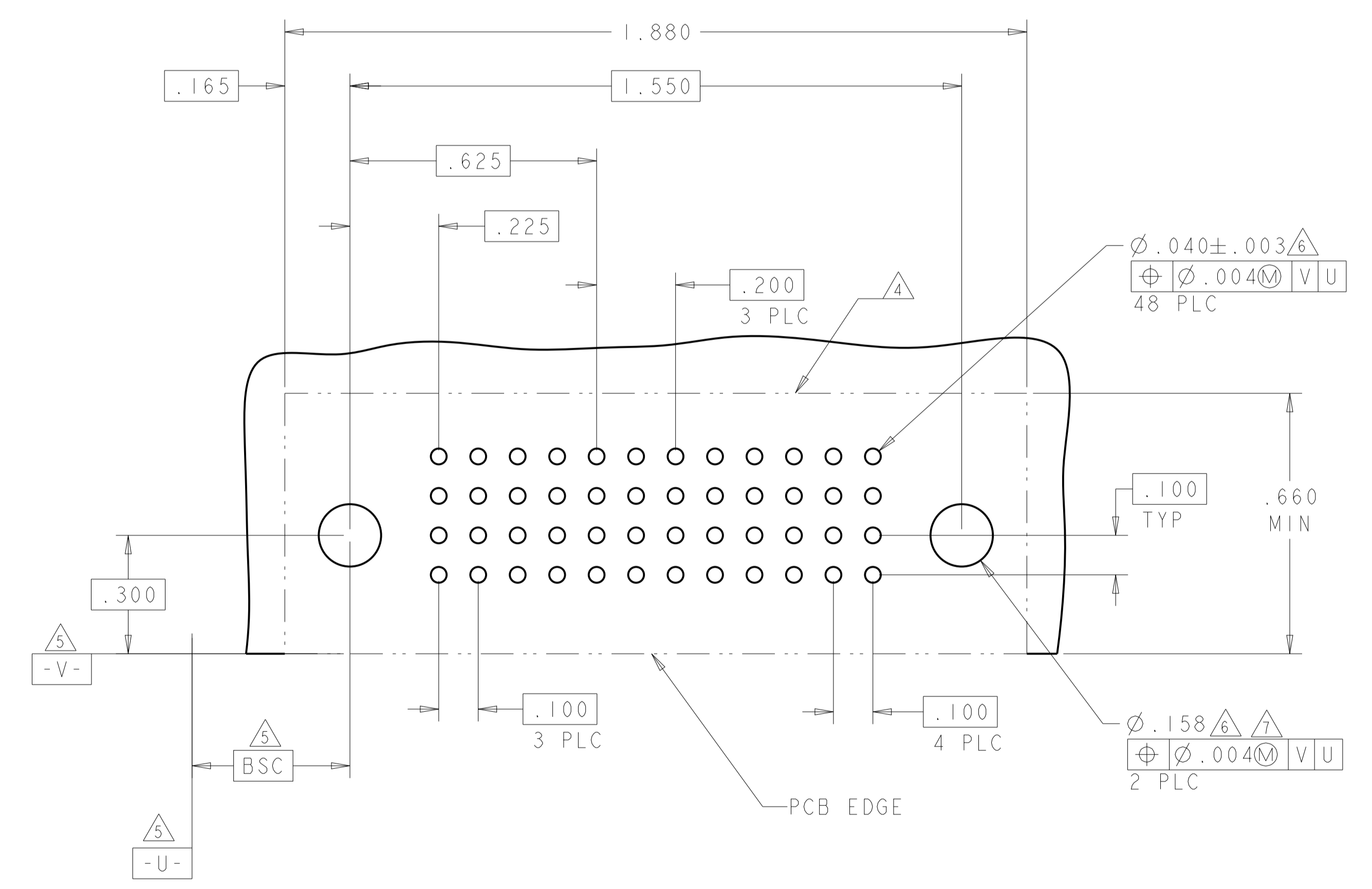
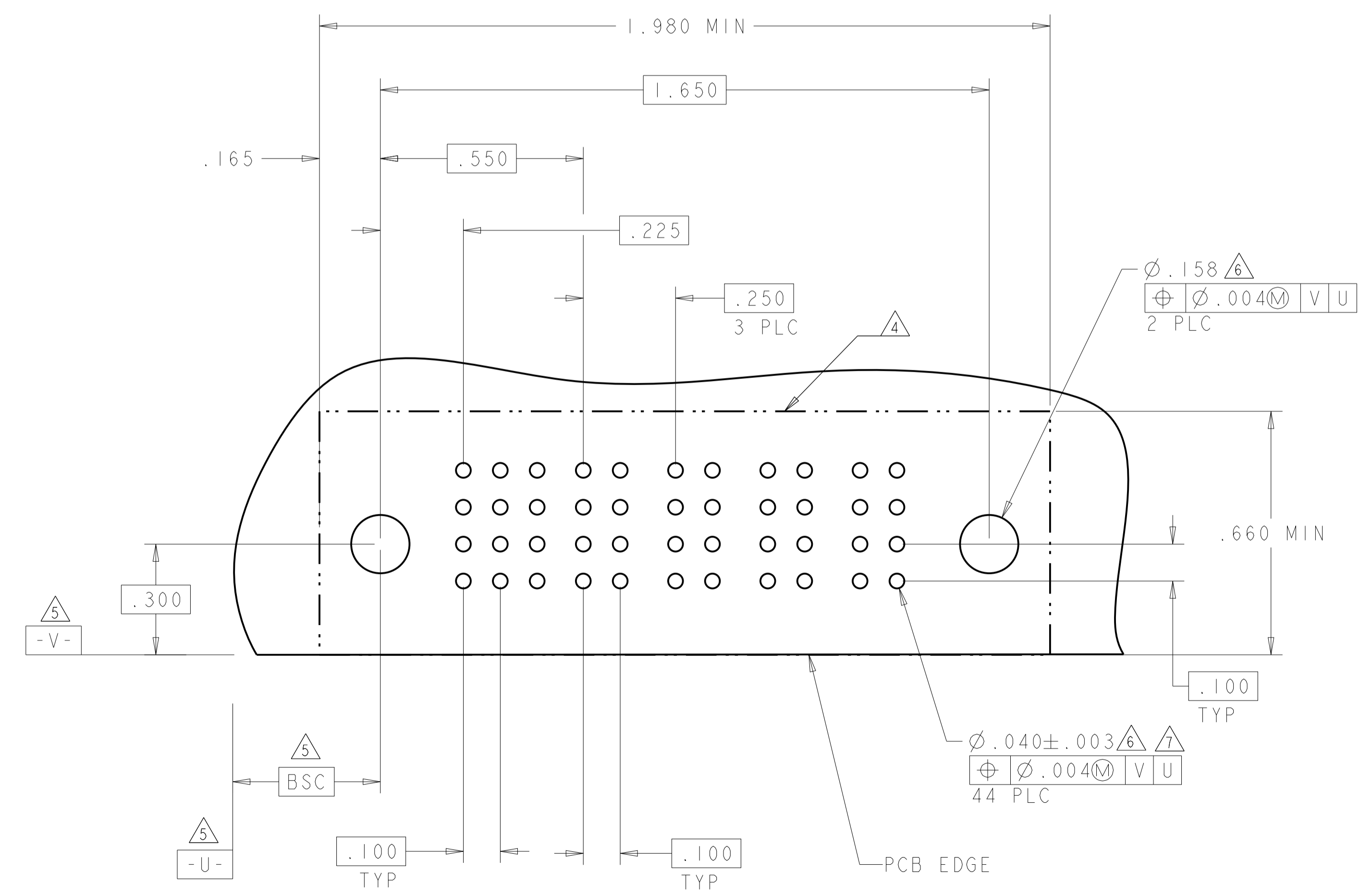
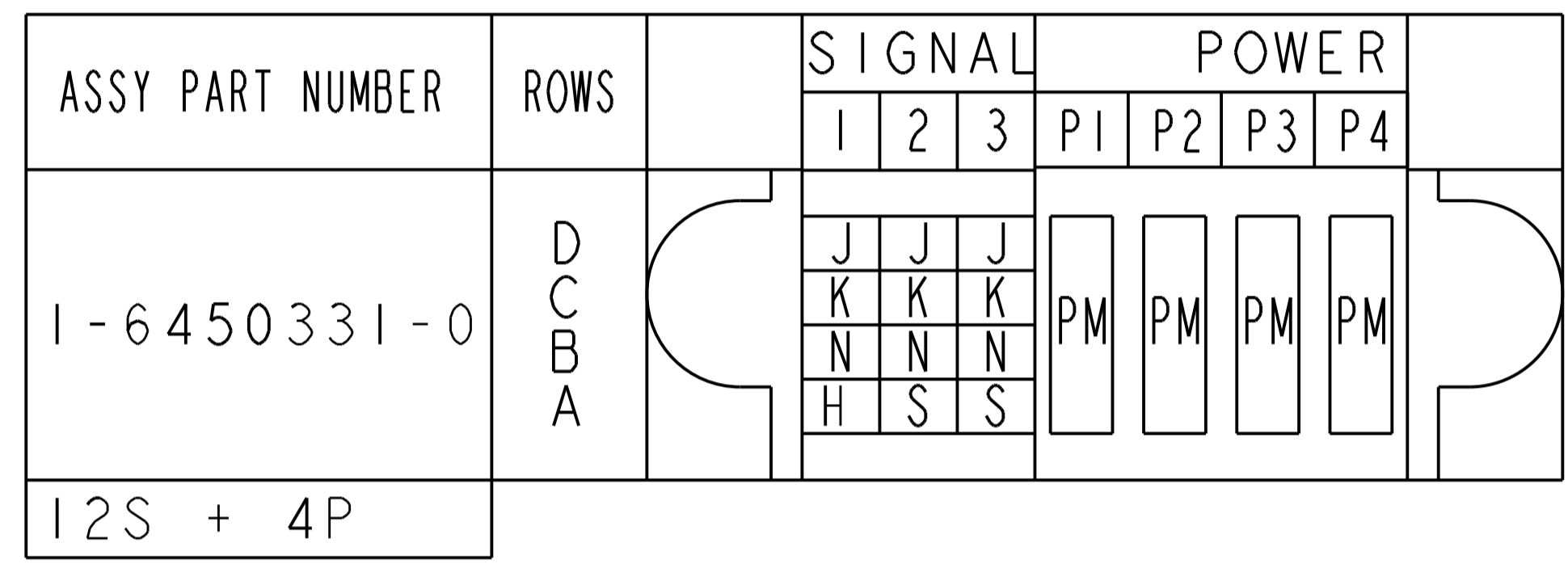
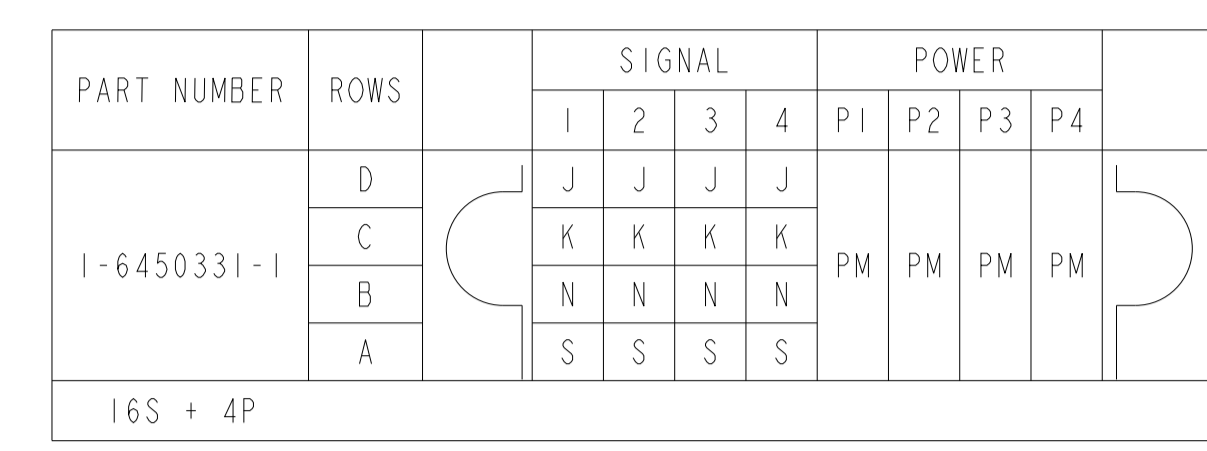
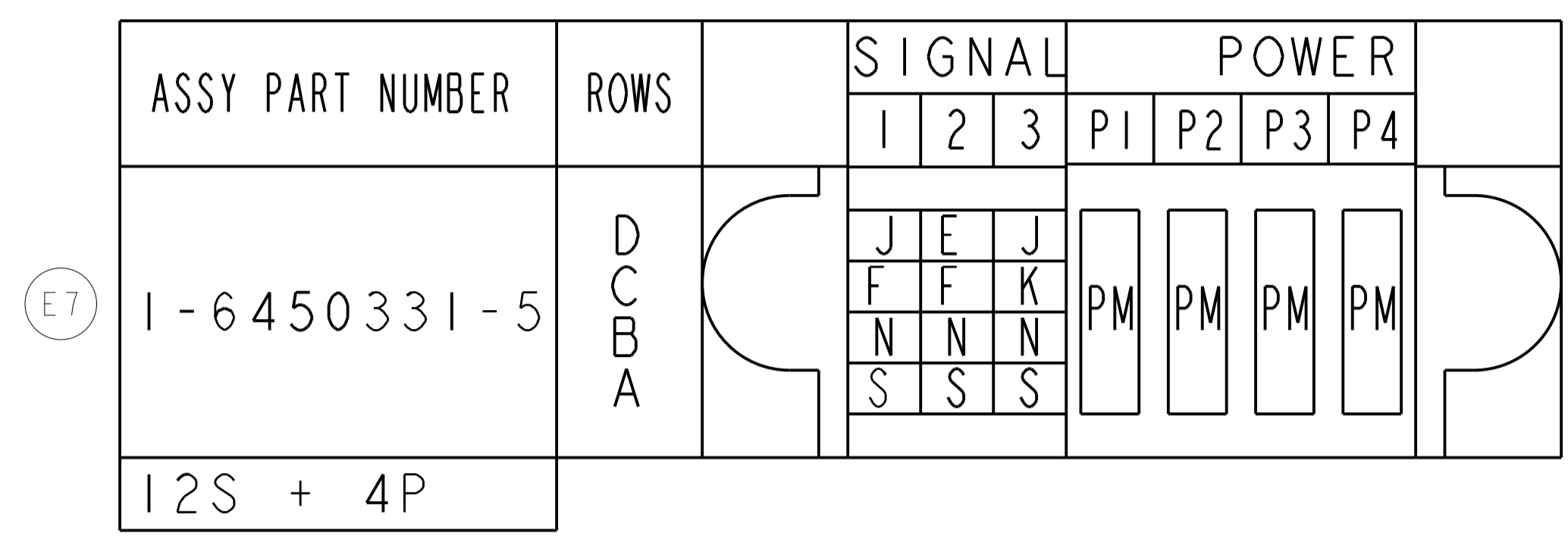
SCALE: 4:1
 SHEET: 2 OF 7
 REV: E9

LOC	DIST	REV	DATE	BY	APPD
ES	00				
REVISIONS			DESCRIPTION	DATE	BY
			SEE SHEET 1		



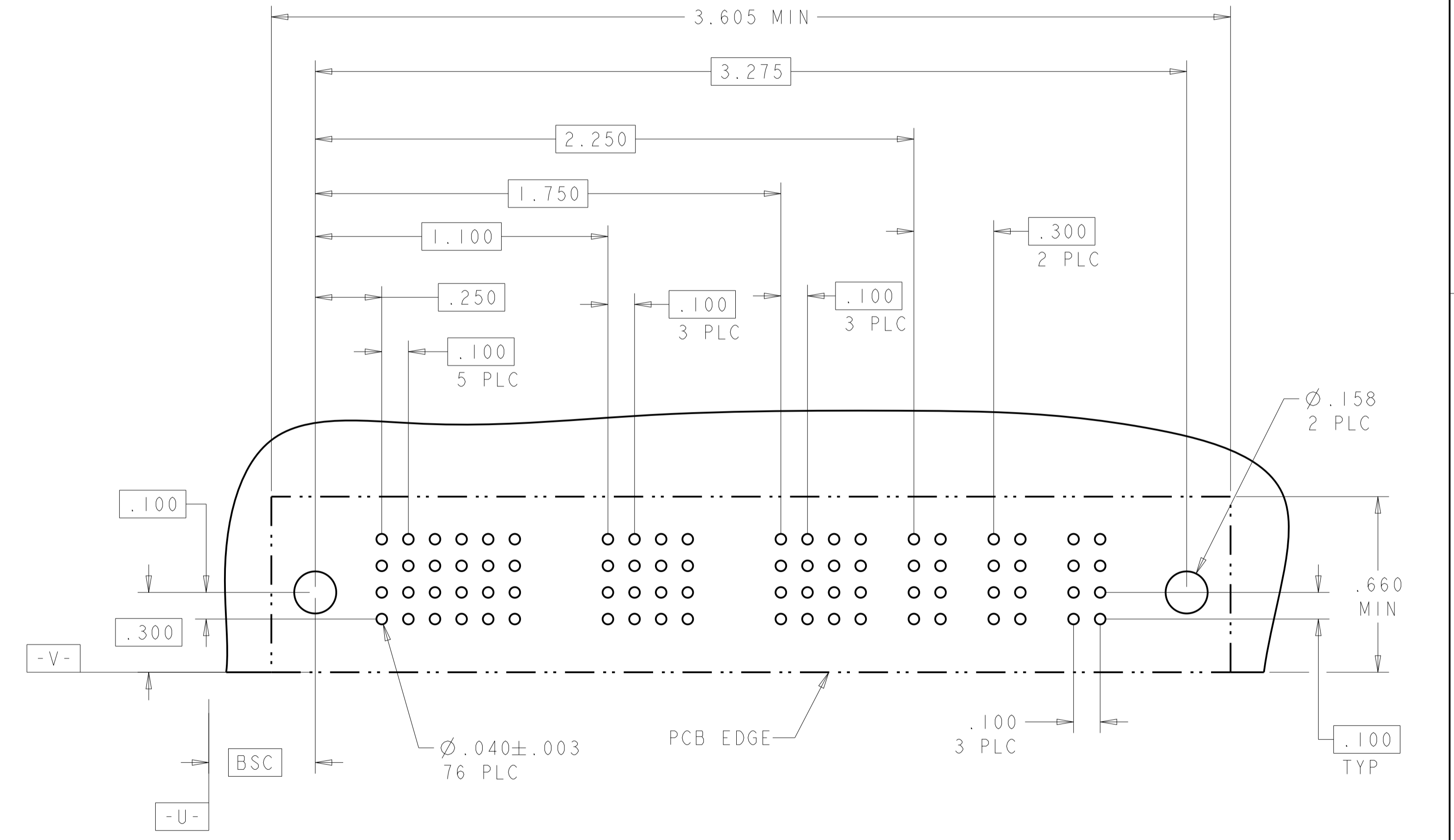
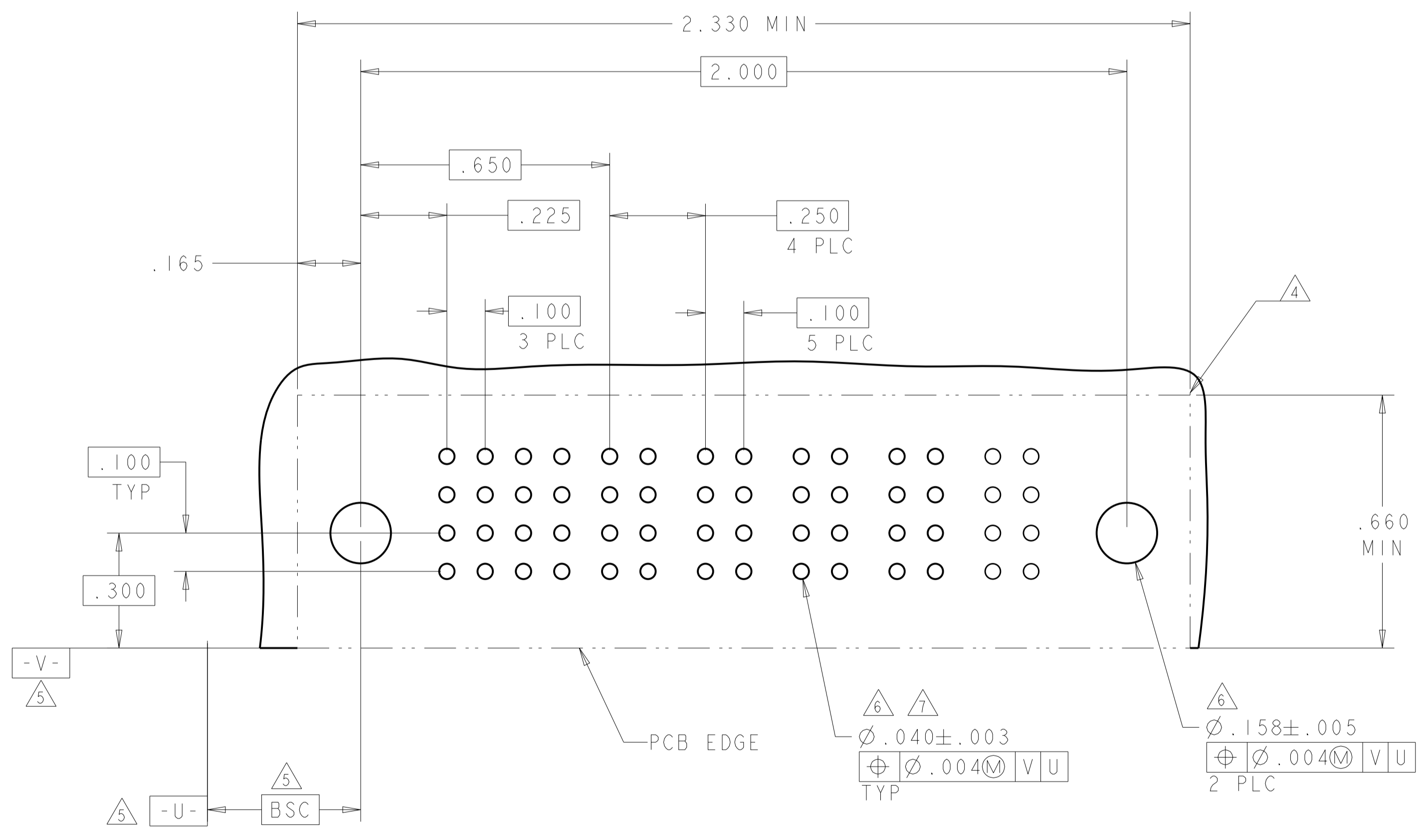
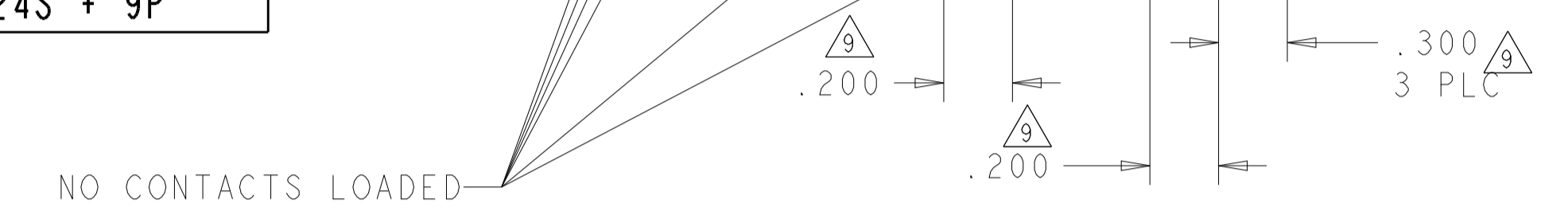
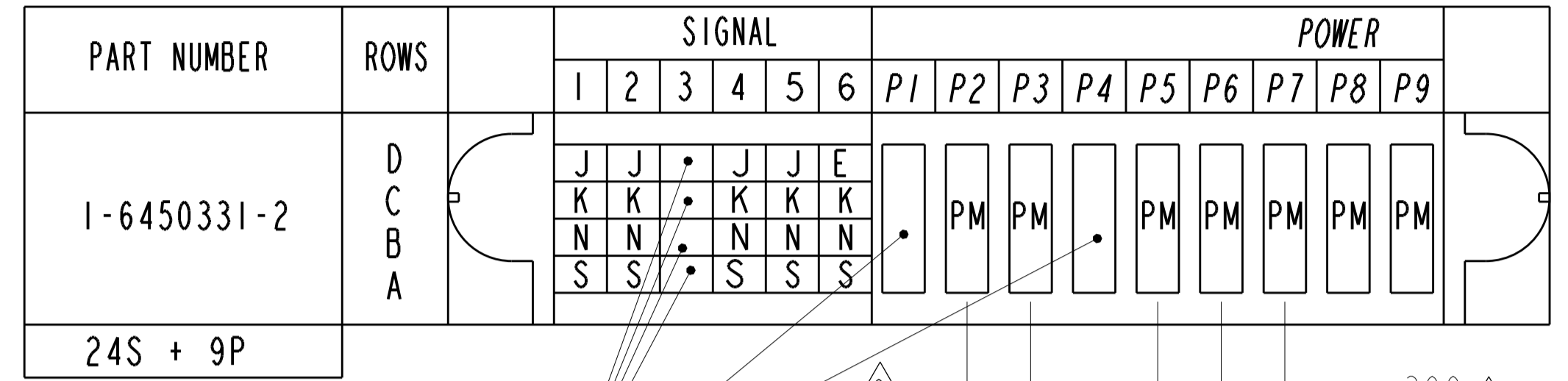
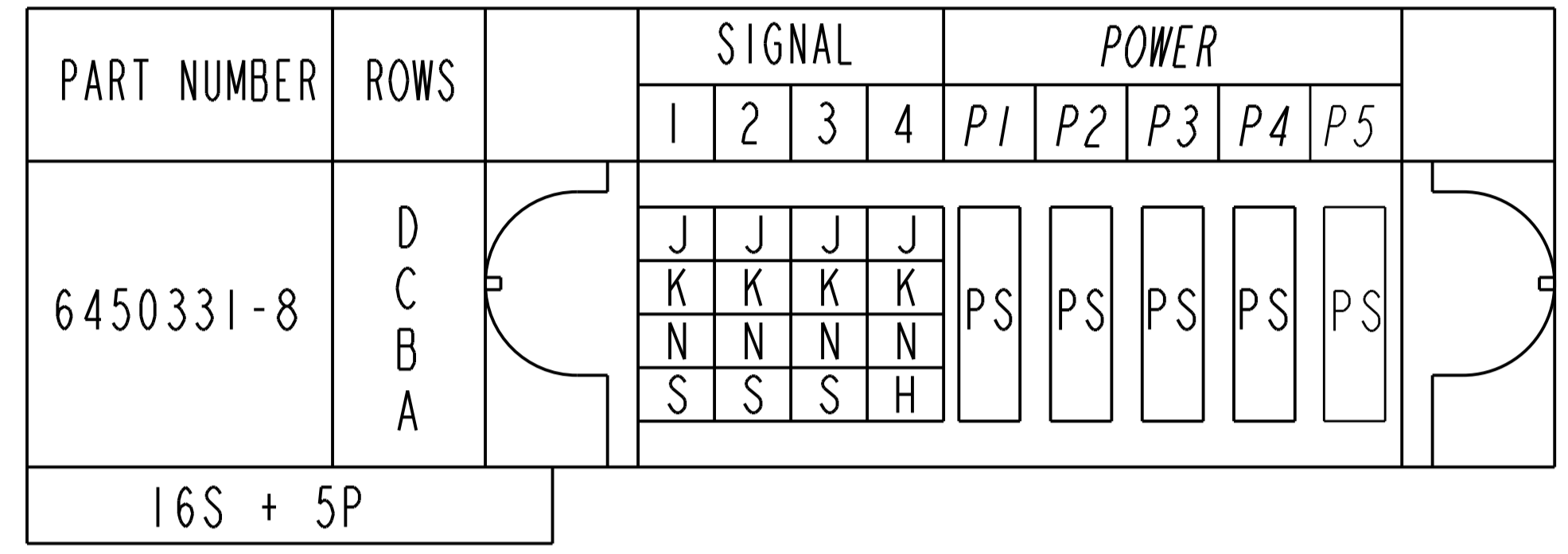
THIS DRAWING IS A CONTROLLED DOCUMENT.		OWN: DENNY ZHU 07AUG2006	 TE Connectivity
DIMENSIONS: INCHES		CHK: SUNY ZHAO 07AUG2006	
TOLERANCES UNLESS OTHERWISE SPECIFIED:		APVD: SUNY ZHAO	NAME: RIGHT ANGLE HEADER ASSEMBLY WITH GUIDES, .150 MOUNTING HOLES DUAL BEAM XL SOLDER TYPE
0 PLC ±.01		PRODUCT SPEC: 108-1973	SIZE: A1
1 PLC ±.01		APPLICATION SPEC: 114-13038	CAGE CODE: 6450331
2 PLC ±.01		WEIGHT: -	SCALE: 4:1
3 PLC ±.005		Customer Drawing	SHEET 3 OF 7
4 PLC ±.0020			REV: E9
ANGLES: ±.020			
FINISH: -			

LOC	DIST	REV	DATE	BY	APPD
ES	00				
REVISIONS					
DESCRIPTION			DATE	BY	APPD
SEE SHEET 1					



THIS DRAWING IS A CONTROLLED DOCUMENT.		OWN: DENNY ZHU 07AUG2006	 TE Connectivity
DIMENSIONS: INCHES		CHK: SUNY ZHAO 07AUG2006	
TOLERANCES UNLESS OTHERWISE SPECIFIED:		APVD: SUNY ZHAO	NAME: RIGHT ANGLE HEADER ASSEMBLY WITH GUIDES, .150 MOUNTING HOLES DUAL BEAM XL SOLDER TYPE
0 PLC ±.01		PRODUCT SPEC: 108-1973	SIZE: A1
1 PLC ±.01		APPLICATION SPEC: 114-13038	CAGE CODE: 100779
2 PLC ±.01		WEIGHT: -	DRAWING NO: 6450331
3 PLC ±.005		RESTRICTED TO: -	SCALE: 4:1
4 PLC ±.002		Customer Drawing	SHEET 4 OF 7
ANGLES ±.020			REV: E9
FINISH: -			

LOC	DIST	REVISIONS			
P	LTN	DESCRIPTION	DATE	DMN	APVD
ES	00	SEE SHEET 1			



THIS DRAWING IS A CONTROLLED DOCUMENT.		DMN: DENNY ZHU 07AUG2006	 TE Connectivity
DIMENSIONS: INCHES		CHK: SUNY ZHAO 07AUG2006	
TOLERANCES UNLESS OTHERWISE SPECIFIED: 0 PLC ±. 1 PLC ±.01 2 PLC ±.01 3 PLC ±.005 4 PLC ±.002 ANGLES ±.020		APVD: SUNY ZHAO	NAME: RIGHT ANGLE HEADER ASSEMBLY WITH GUIDES, .150 MOUNTING HOLES DUAL BEAM XL SOLDER TYPE
MATERIAL: .		FINISH: .	RESTRICTED TO: .
Customer Drawing		SCALE: 4:1	SHEET 5 OF 7

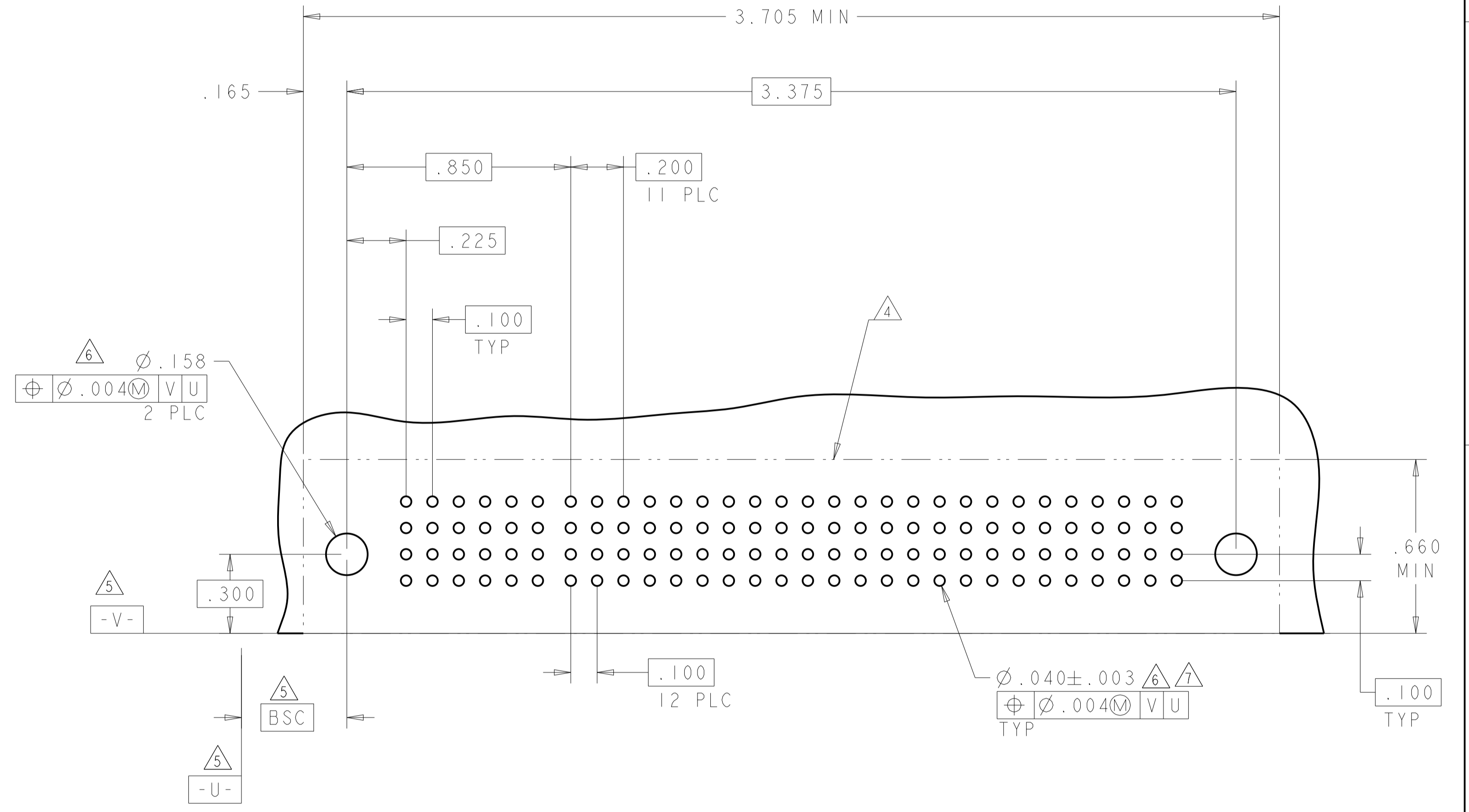
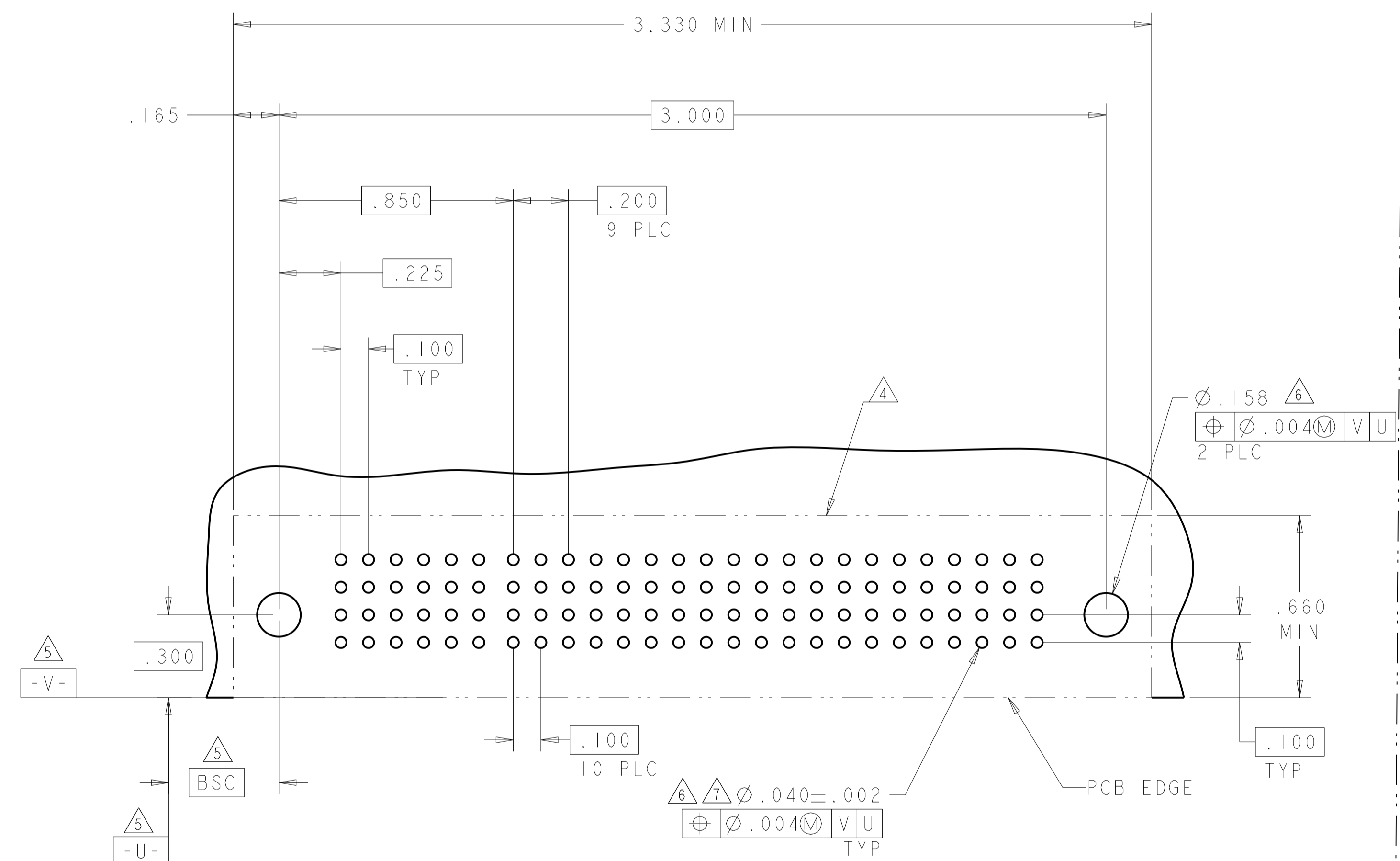
LOC	DIST	REVISIONS			
P	LTN	DESCRIPTION	DATE	DMN	APVD
ES	00	SEE SHEET 1			

PART NUMBER	ROWS	SIGNAL						POWER															
		1	2	3	4	5	6	P1	P2	P3	P4	P5	P6	P7	P8	P9	P10						
I-6450331-3	D	J	J	J	J	J	E																
	C	K	K	K	F	K	K	PM	PM	PM	PM	PM	PM	PM	PM	PM	PM	PM	PM	PM	PM	PM	PM
	B	N	N	N	G	N	N																
	A	S	H	S	H	S	S																

24S + 10HDP

PART NUMBER	ROWS	SIGNAL						POWER															
		1	2	3	4	5	6	P1	P2	P3	P4	P5	P6	P7	P8	P9	P10	P11	P12				
I-6450331-4	D	J	J	J	J	J	E																
	C	K	K	K	F	K	K	PM	PM	PM	PM	PM	PM	PM	PM	PM	PM	PM	PM	PM	PM	PM	
	B	N	N	N	G	N	N																
	A	S	H	S	H	S	S																

24S + 12HDP

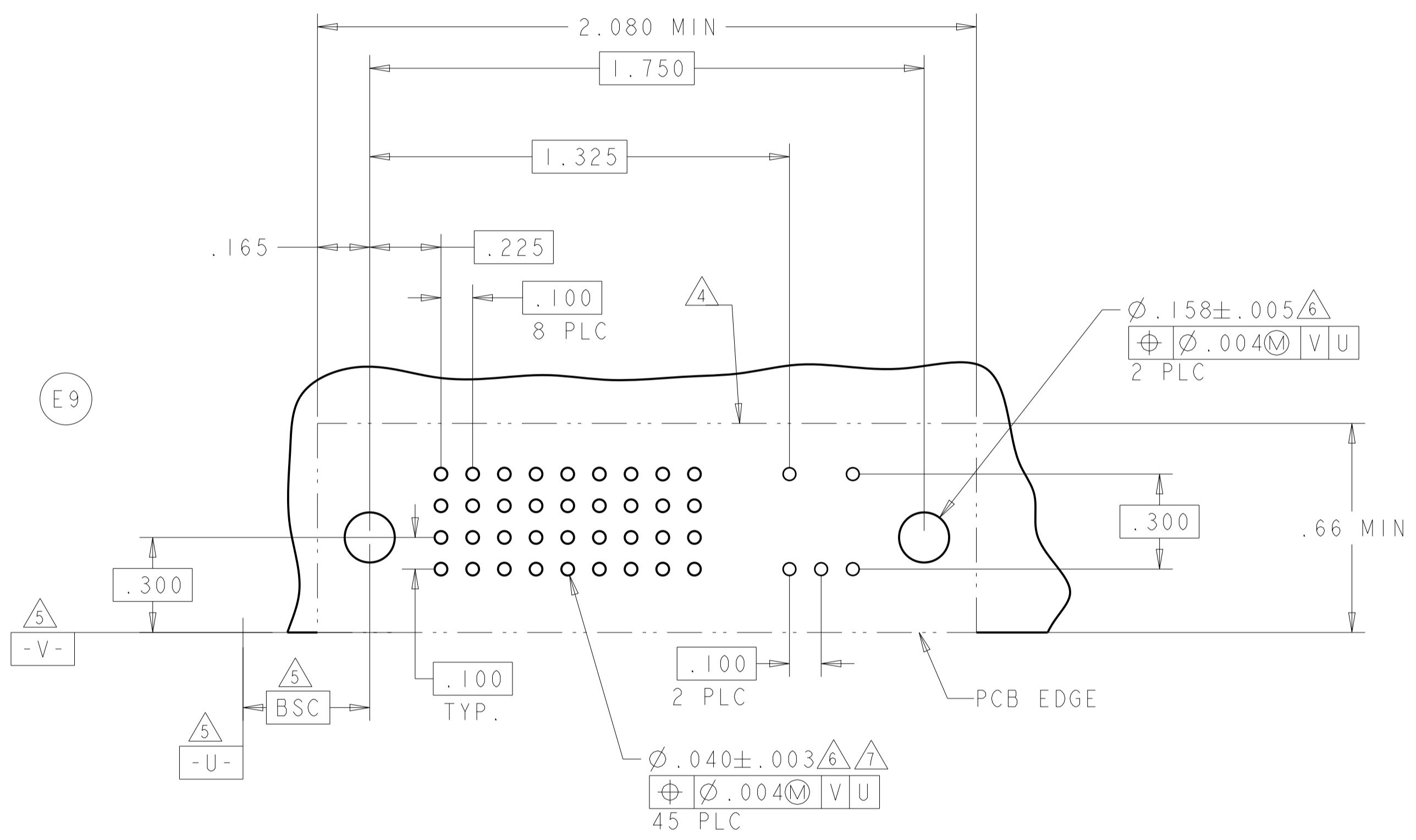


THIS DRAWING IS A CONTROLLED DOCUMENT.		DMN: DENNY ZHU 07AUG2006	 TE Connectivity
DIMENSIONS: INCHES		CHK: SUNY ZHAO 07AUG2006	
TOLERANCES UNLESS OTHERWISE SPECIFIED:		APVD: SUNY ZHAO	NAME: RIGHT ANGLE HEADER ASSEMBLY WITH GUIDES, .150 MOUNTING HOLES DUAL BEAM XL SOLDER TYPE
0 PLC ±.01		PRODUCT SPEC: 108-1973	SIZE: A100779C=6450331
1 PLC ±.01		APPLICATION SPEC: 114-13038	RESTRICTED TO: -
2 PLC ±.01		WEIGHT: -	SCALE: 4:1
3 PLC ±.005		Customer Drawing	SHEET 6 OF 7
4 PLC ±.0020			REV: E9
ANGLES: .2°			
FINISH: -			

LOC	DIST	REVISIONS			
P	LTN	DESCRIPTION	DATE	DMN	APVD
ES	00	SEE SHEET 1			

ASSY PART NUMBER	ROWS	SIGNAL													
		1	2	3	4	5	6	7	8	9	10	11	12	13	14
1-6450331-6	D	J	J	J	J	J	J	J	J	J			E	E	
	C	K	K	K	K	K	K	K	K						
	B	N	N	N	N	N	N	N	N						
	A	S	S	S	S	S	S	S	S	S			S	S	S
56S															

NO CONTACT LOADED



THIS DRAWING IS A CONTROLLED DOCUMENT.		DMN: DENNY ZHU 07AUG2006	 TE Connectivity
DIMENSIONS: INCHES		CHK: SUNY ZHAO 07AUG2006	
TOLERANCES UNLESS OTHERWISE SPECIFIED: 0 PLC ±. 1 PLC ±. 2 PLC ±.01 3 PLC ±.005 4 PLC ±.0020 ANGLES ±.7°		APVD: SUNY ZHAO	NAME: RIGHT ANGLE HEADER ASSEMBLY WITH GUIDES, .150 MOUNTING HOLES DUAL BEAM XL SOLDER TYPE
MATERIAL: -		FINISH: -	RESTRICTED TO: -
Customer Drawing		SCALE: 4:1	SHEET 7 OF 7

单击下面可查看定价，库存，交付和生命周期等信息

[>>TE Connectivity\(泰科\)](#)