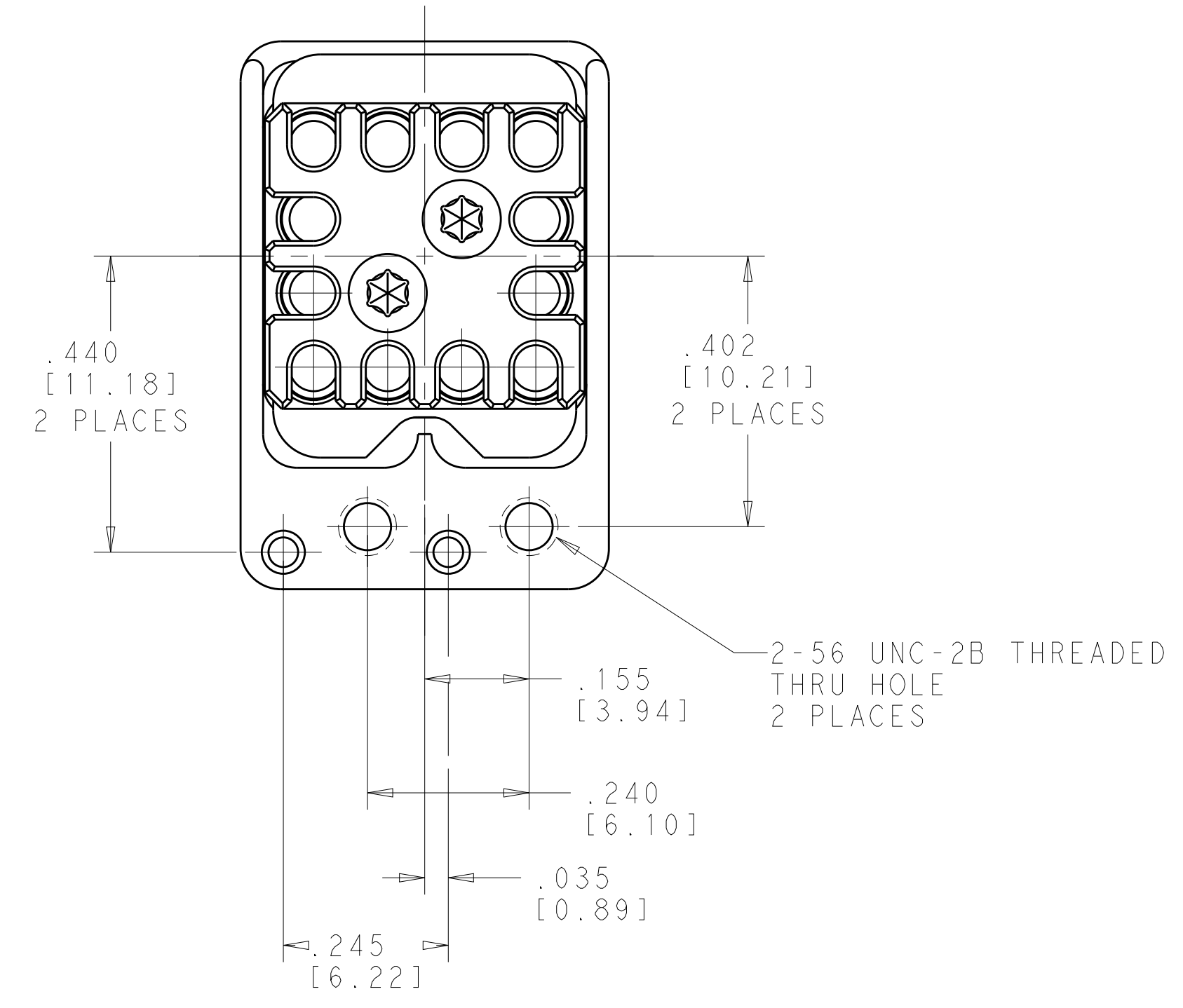
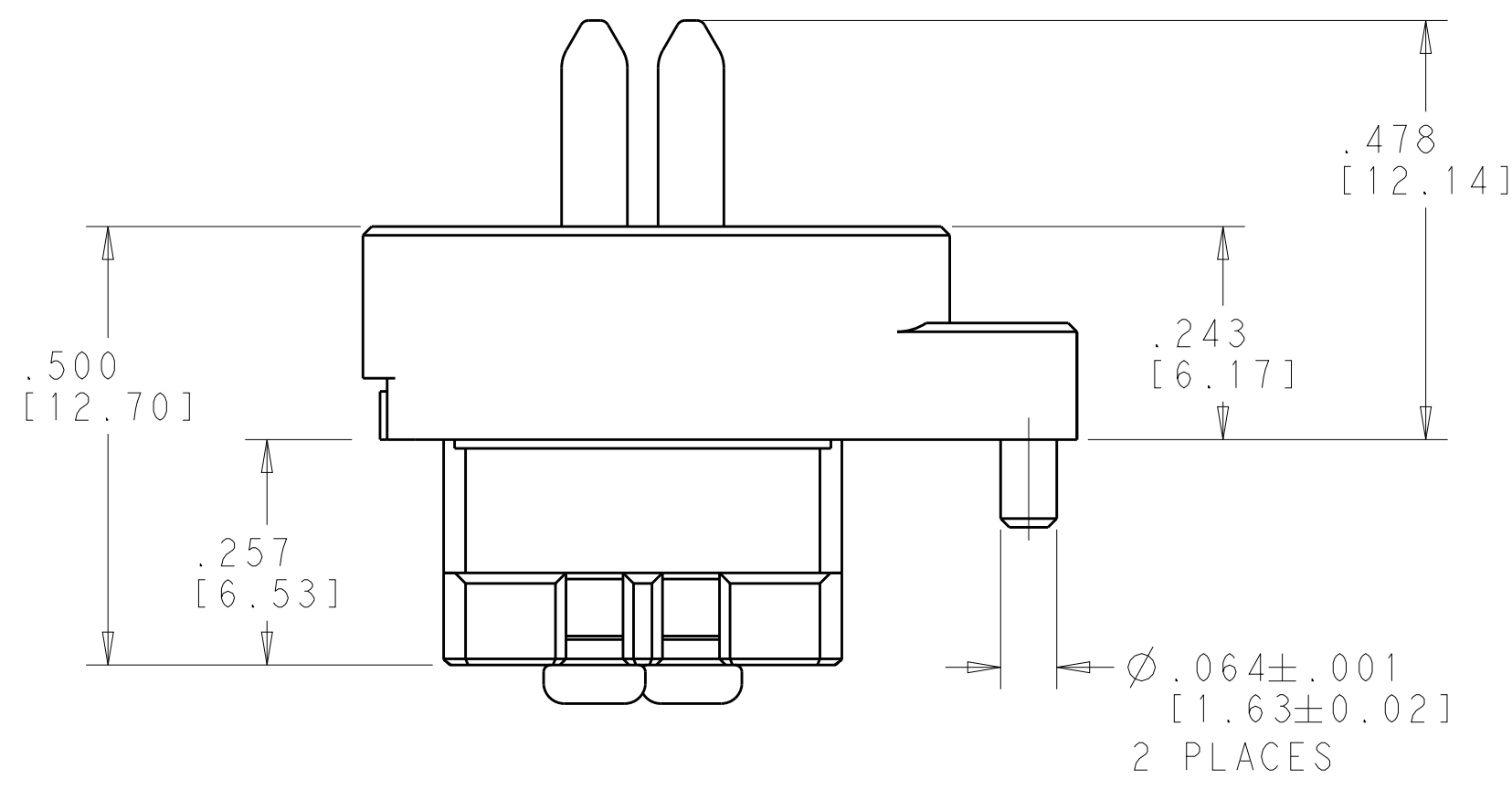
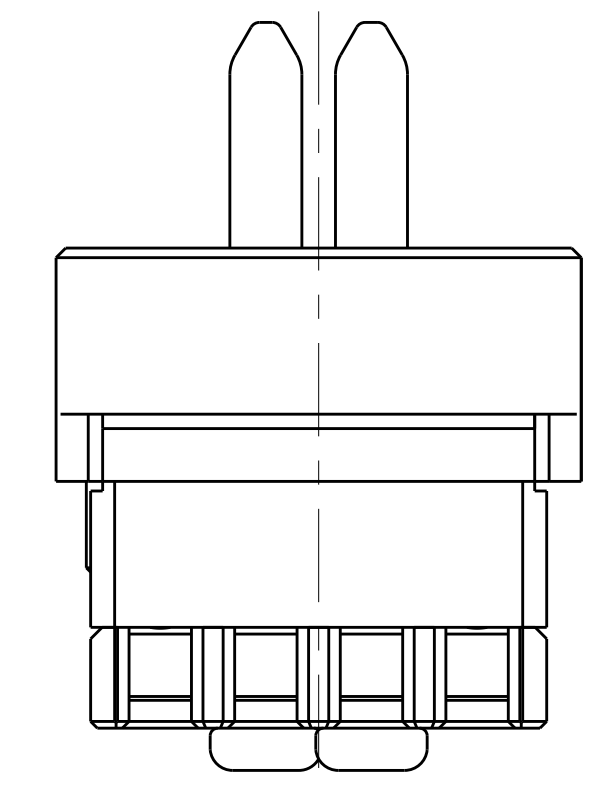
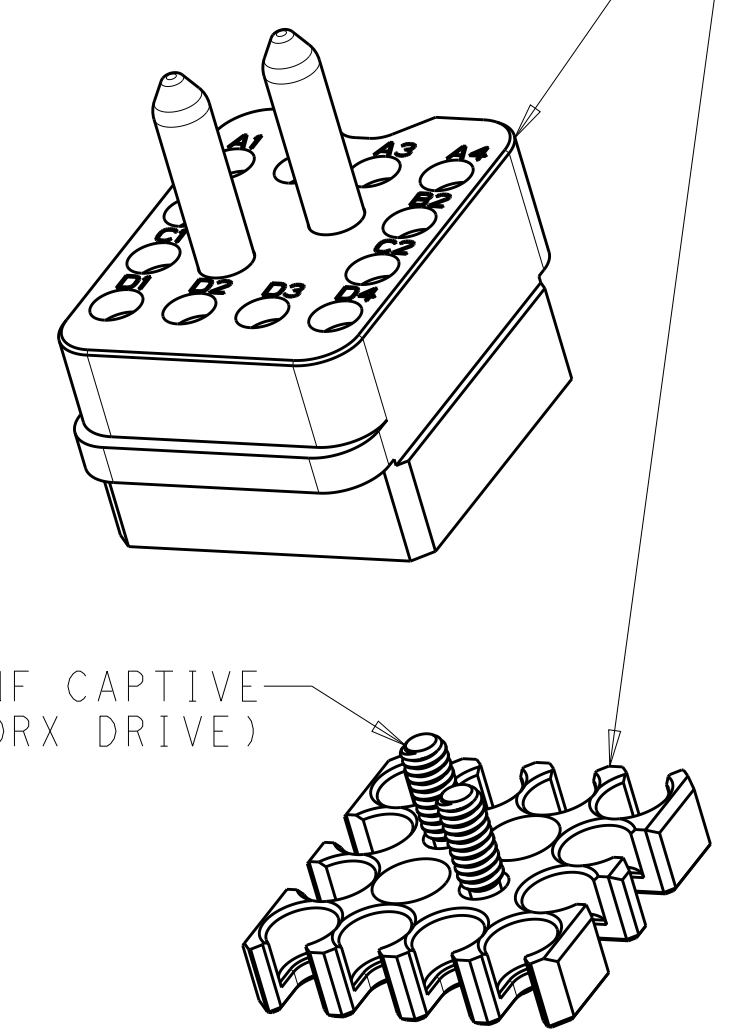
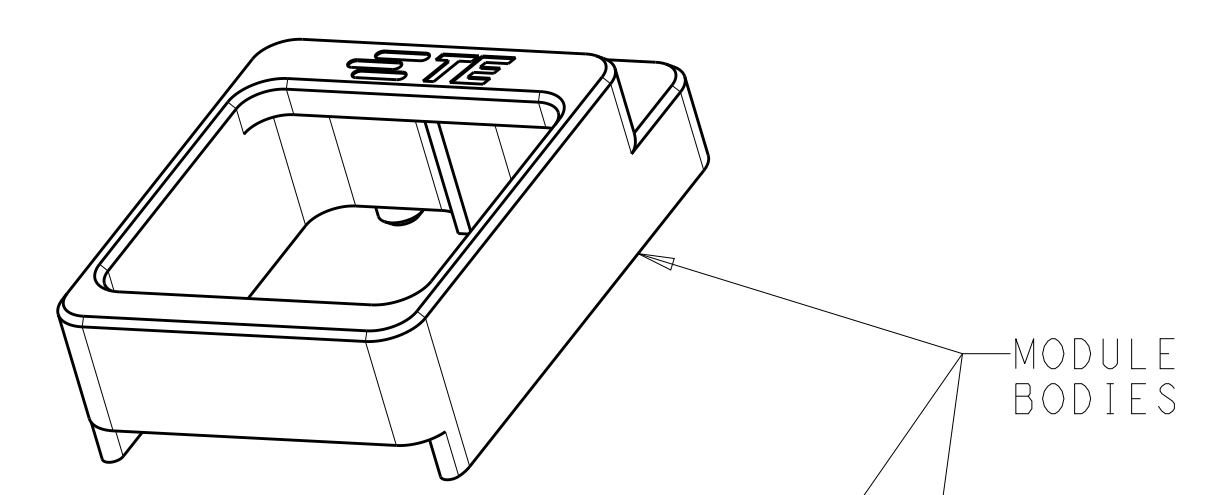
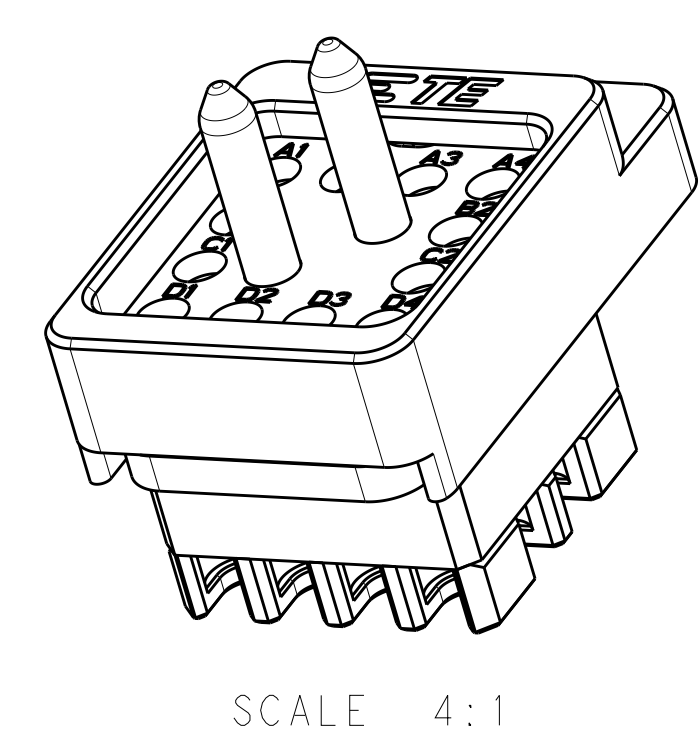
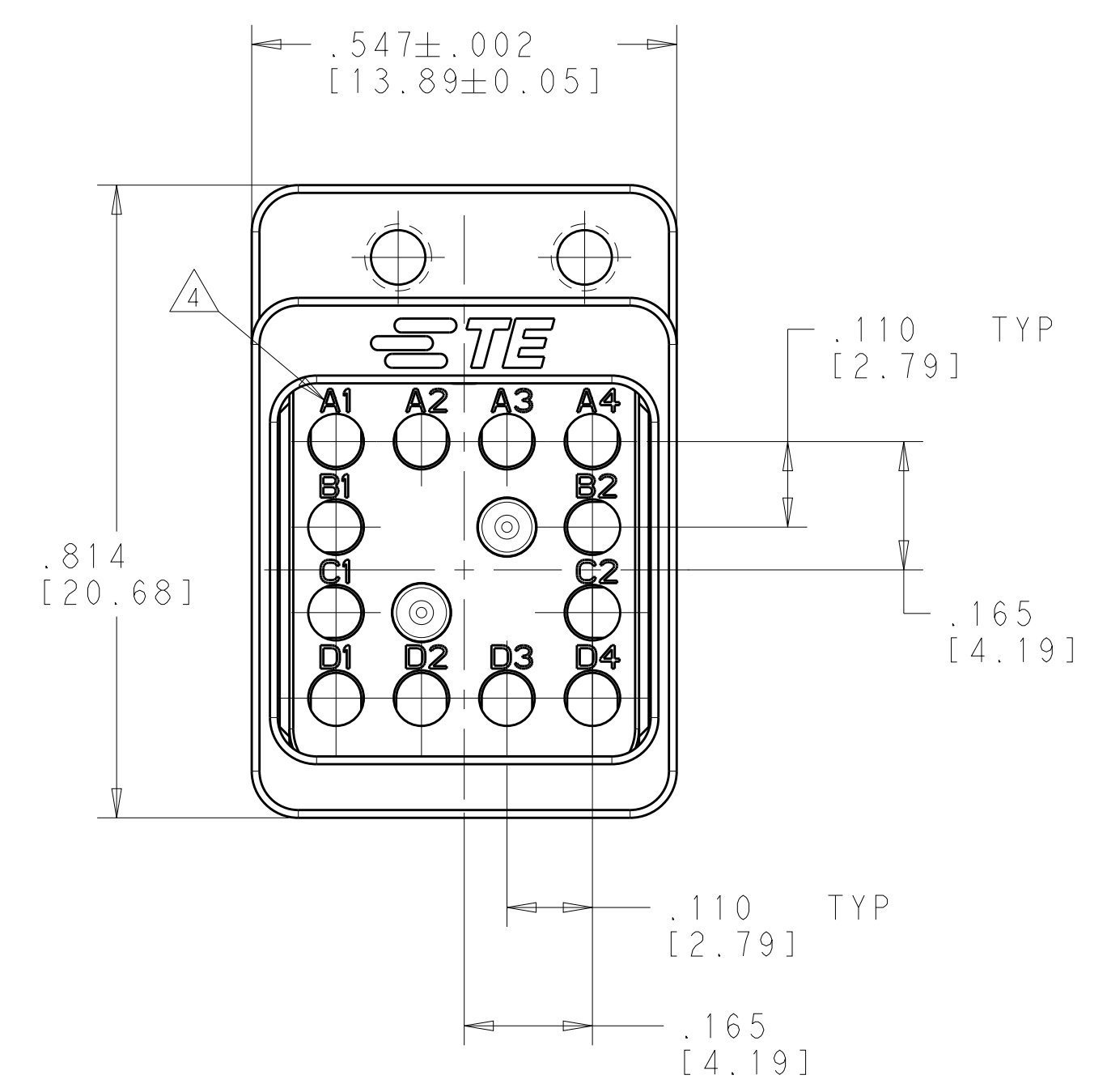


| REVISIONS | | | | |
|-----------|------|----------------------------|----------|------------|
| P. | LTN. | DESCRIPTION | DATE | OWN. APVD. |
| A | | RELEASED PER ECO 18-016587 | 10-23-18 | CT FB |

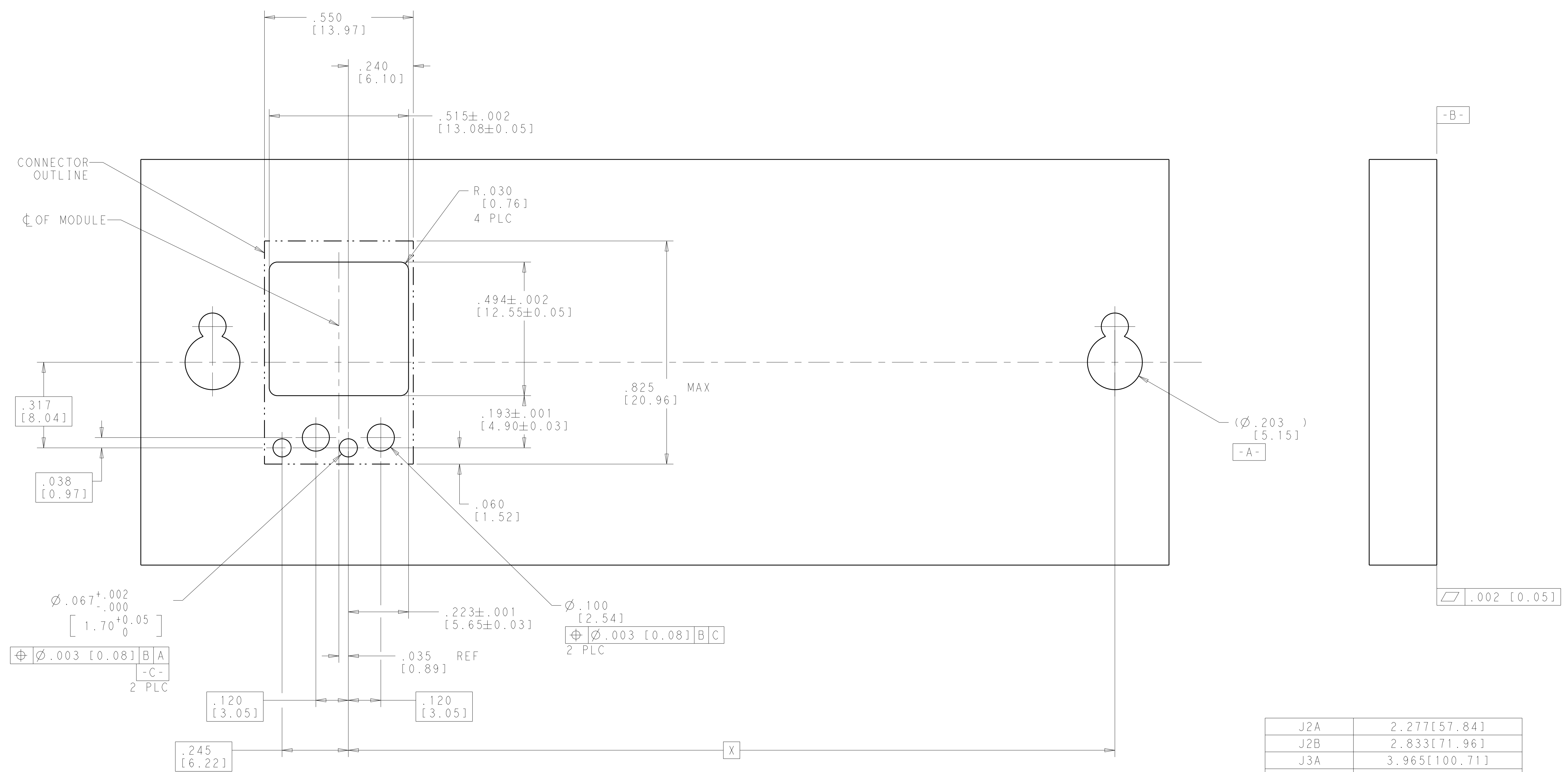


- 1 MATERIAL:
MODULE BODIES - SEE TABLE
GUIDE PIN - STAINLESS STEEL, PER UNS S30300
SCREWS - 300 SERIES STAINLESS STEEL
- 2 FINISH:
MODULE BODIES - SEE TABLE
SCREWS AND GUIDE PIN - PASSIVATED
- 3. SHIPPED IN KIT FORM.
- 4 CIRCUIT IDENTIFICATION MARKING

| | | |
|-----------------------------------|--------------------------------|-------------|
| CLEAR CHROMATE CONVERSION COATING | ALUMINUM ALLOY 7075 | 2313228-2 |
| PASSIVATED | STAINLESS STEEL PER UNS S30300 | 2313228-1 |
| MODULE FINISH 2 | MODULE MATERIAL 1 | PART NUMBER |

| | | | |
|--|--|-----------------------------|--|
| THIS DRAWING IS A CONTROLLED DOCUMENT. | | OWN. R. MILLER 17JUN2017 | TE Connectivity |
| DIMENSIONS: INCHES/mm | | CHK. K. DOWHOWER 19JUN2017 | |
| TOLERANCES UNLESS OTHERWISE SPECIFIED: | | APVD. K. DOWHOWER 19JUN2017 | NAME 12 POSITION NanoRF MODULE P.C.B. MOUNT - BACKPLANE VITA |
| 0 PLC ± | | PRODUCT SPEC 108-163006 | |
| 1 PLC ± | | APPLICATION SPEC 408-163016 | SIZE CAGE CODE DRAWING NO. A100779C=2313228 |
| 2 PLC ± | | WEIGHT | |
| 3 PLC ±.005(0.13) | | CUSTOMER DRAWING | RESTRICTED TO |
| 4 PLC ± | | SCALE 5:1 | SHEET 1 OF 2 |
| ANGLES | | REV A | |
| FINISH | | | |

| REVISIONS | | | | |
|-----------|-----|-------------|------|------|
| P. | LTN | DESCRIPTION | DATE | APVD |
| - | - | SEE SHEET 1 | - | - |
| | | | | |
| | | | | |



TYP PCB LAYOUT - VIEWED FROM BACKSIDE OF BACKPLANE

| | |
|----------|---------------|
| J2A | 2.277[57.84] |
| J2B | 2.833[71.96] |
| J3A | 3.965[100.71] |
| J3B | 4.521[114.83] |
| J4A | 5.099[129.51] |
| J4B | 5.655[143.64] |
| J5A | 6.233[158.32] |
| J5B | 6.789[172.44] |
| J6A | 7.367[187.12] |
| J6B | 7.922[201.22] |
| POSITION | DIM "X" |

| | | | |
|---|--------|--|---|
| THIS DRAWING IS A CONTROLLED DOCUMENT. | | DWN K. MILLER 17JUN2017 | TE Connectivity |
| DIMENSIONS: INCHES/mm | | CHK K. DOWHOWER 19JUN2017 | |
| TOLERANCES UNLESS OTHERWISE SPECIFIED: | | APVD K. DOWHOWER 19JUN2017 | NAME 12 POSITION NanoRF MODULE P.C.B. MOUNT - BACKPLANE VITA |
| 0 PLC ± 1 PLC ± 2 PLC ± 3 PLC ±.005[0.13] 4 PLC ± ANGLES ± | | PRODUCT SPEC 108-163006 APPLICATION SPEC 408-163016 | |
| MATERIAL | FINISH | WEIGHT | RESTRICTED TO |
| CUSTOMER DRAWING | | SCALE 8:1 | SHEET 2 OF 2 REV A |

单击下面可查看定价，库存，交付和生命周期等信息

[>>TE Connectivity\(泰科\)](#)