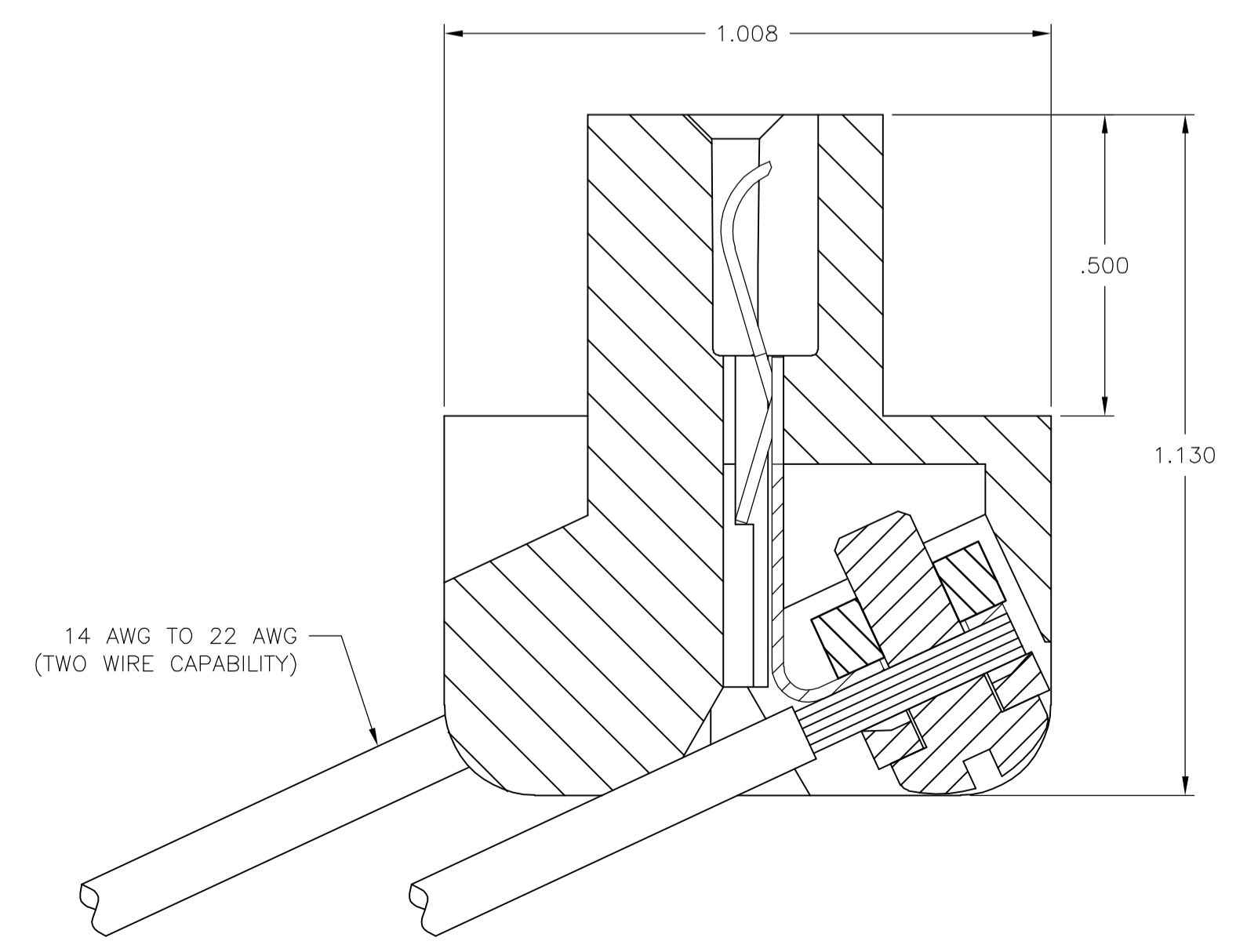
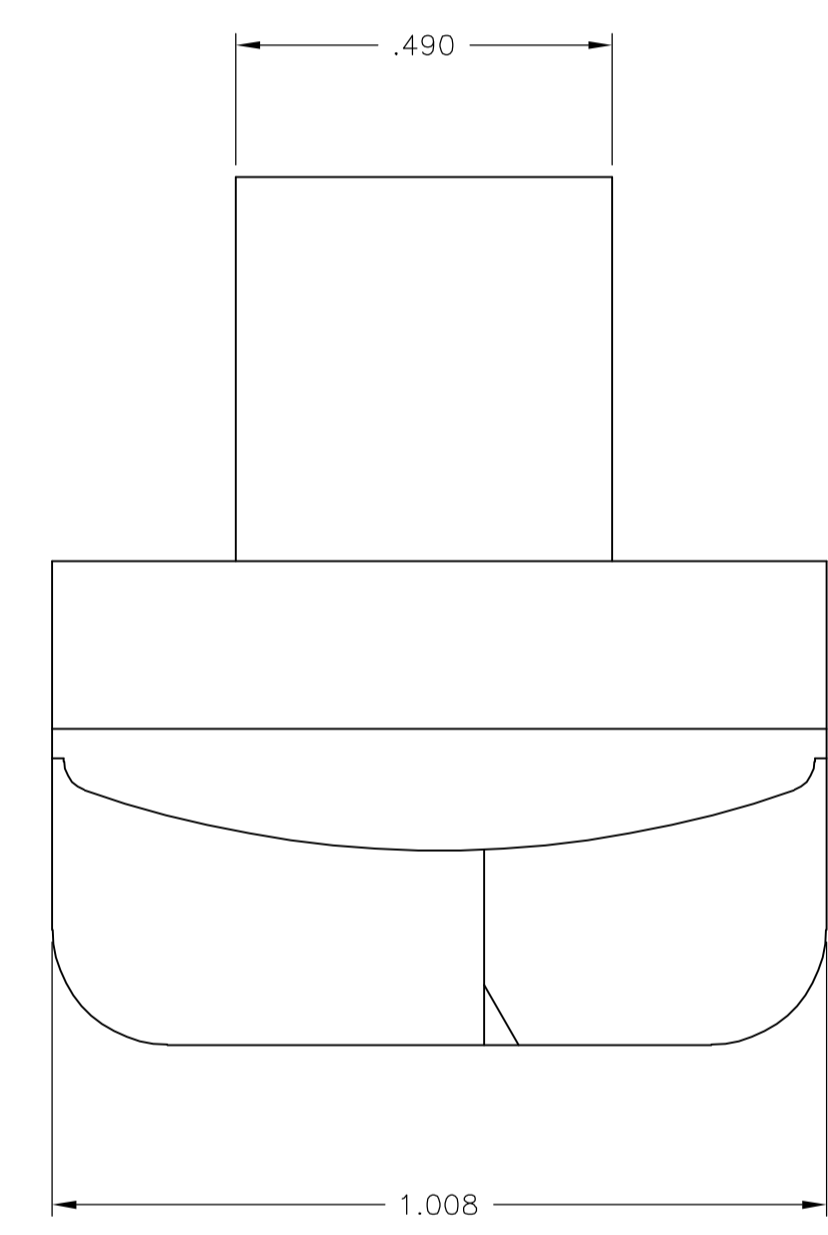
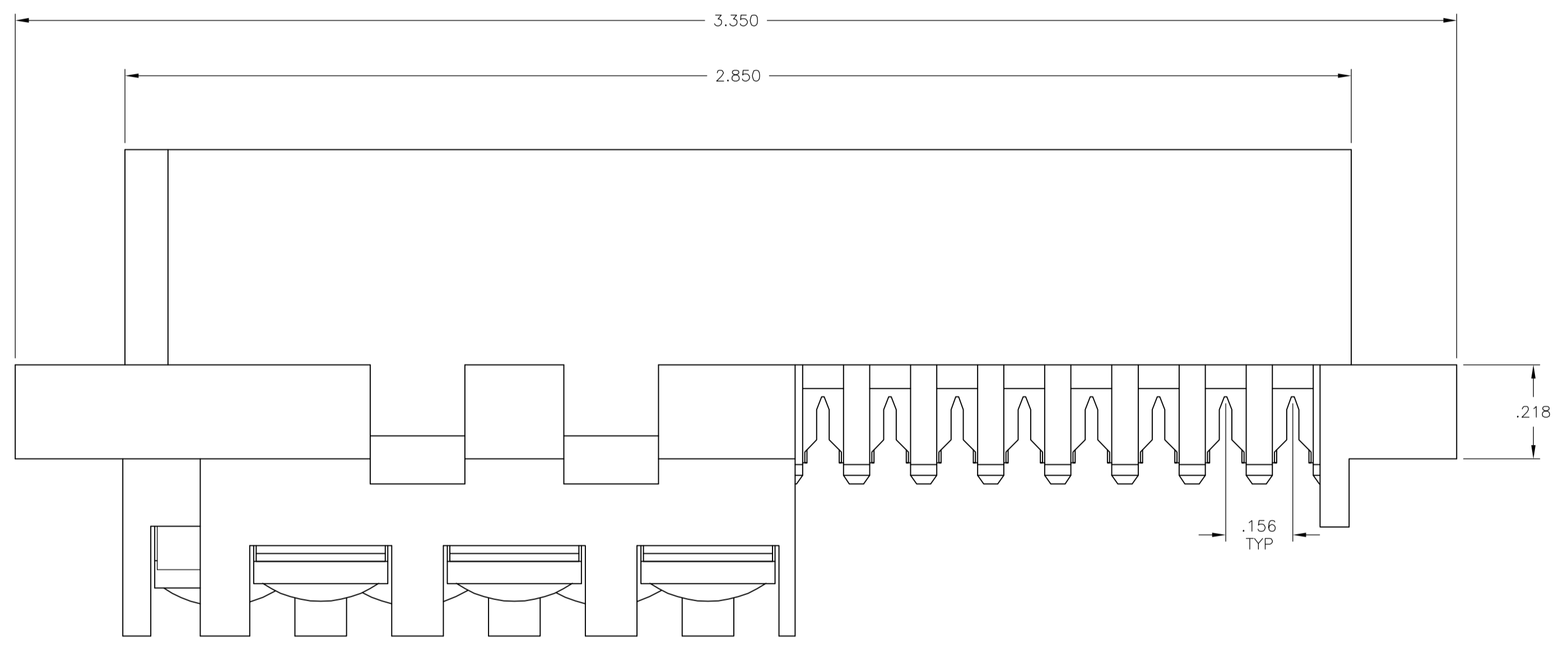
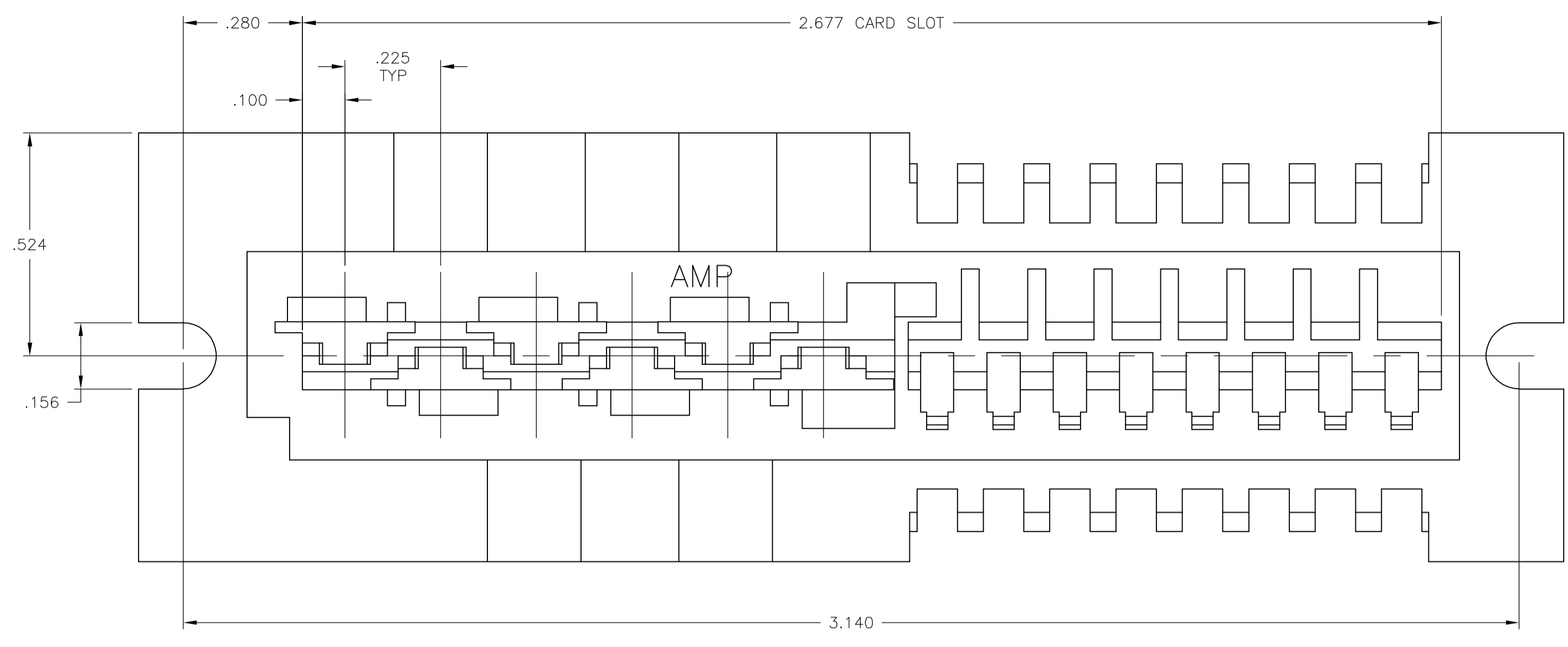


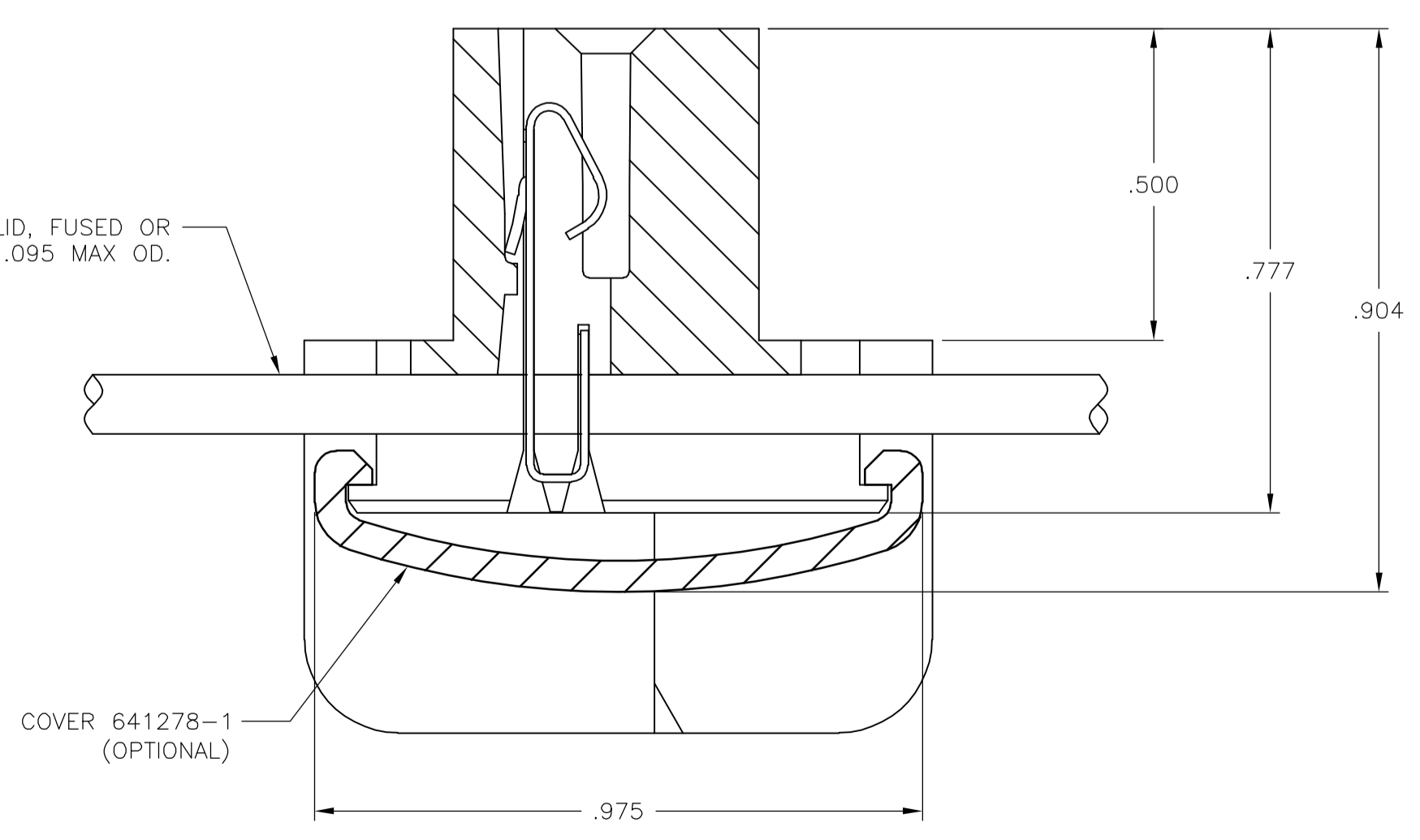
LOC		DIST		REVISIONS			
FT	O	REV	DATE	BY	APP'D	DATE	BY
J			2/21/07	SS	DC		

- DESIGNED FOR .062±.0075 THICK PRINTED CIRCUIT BOARD.
 - DESIGNED TO CONFORM TO UL 250V COMMERCIAL SPACINGS.
 - PRINTED CIRCUIT BOARD EDGE CONFIGURATION PER CP78-36020.
- ⚠ MUST BE PURCHASED SEPERATELY.
 ⚠ TIN-LEAD PLATE .000100 MIN THK OVER NICKEL UNDERPLATE .000050 MIN THK.
 ⚠ GOLD PLATE .000030 MIN THK OVER NICKEL UNDERPLATE .000050 MIN THK.
 ⚠ TIN PLATE .000100 MIN THK OVER NICKEL UNDERPLATE .000050 MIN THK.



MULTIPLE TAP SECTION

18 AWG SOLID, FUSED OR
7 STRANDED, .095 MAX OD.



MTA SECTION

COVER 641278-1
(OPTIONAL)

OBsolete	1-641277-1
	641277-2
	641277-1
FINISH	PART NUMBER

THIS DRAWING IS A CONTROLLED DOCUMENT.

DIMENSIONS: INCHES	TOLERANCES UNLESS OTHERWISE SPECIFIED:	DIN S SCHLEGEL 03APR2006	4/4/06	tyco Electronics	Tyco Electronics Corporation Harrisburg, PA 17105-3608
0 PLC ± -	1 PLC ± -	APVD D COURS 4/4/06	NAME	MULTIPLE-TAP/MTA ASSY	
2 PLC ± -	3 PLC ± -	APPLICATION SPEC	SIZE	CAGE CODE	DRAWING NO
4 PLC ± -	ANGLES ± -	WEIGHT	A1	00779	641277
MATERIAL	FINISH	CUSTOMER DRAWING	SCALE	4:1	SHEET 1 OF 1

单击下面可查看定价，库存，交付和生命周期等信息

[>>TE Connectivity\(泰科\)](#)