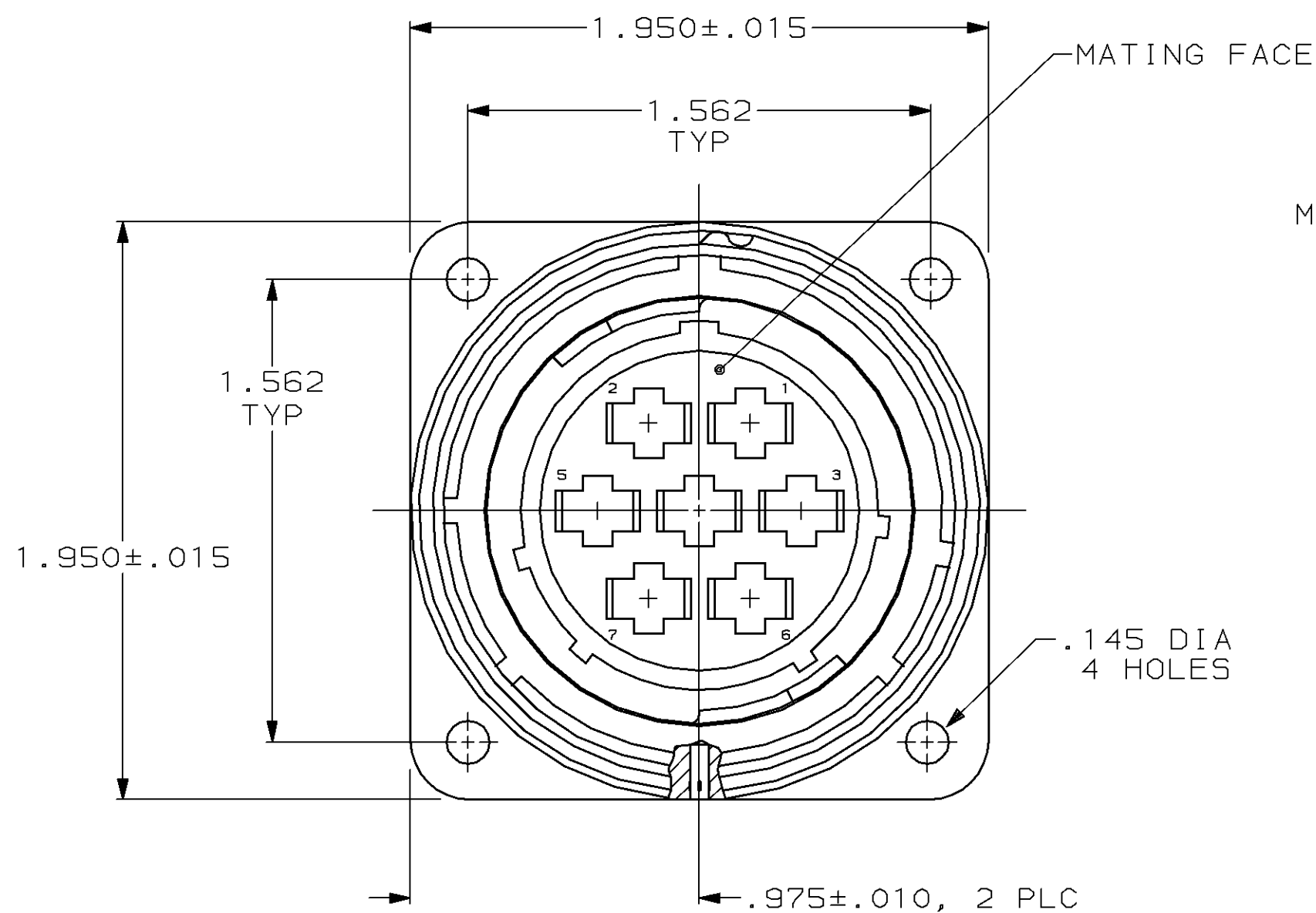


MOD		LOC		DIST		REVISIONS				
P	F	ZONE	LTR	DESCRIPTION	DATE	APPD				
4	BD	35					J	REDRAWN	6-27-91	-
							K	OBS -2 PER EC 0020-0394-93	11/17/94	RK

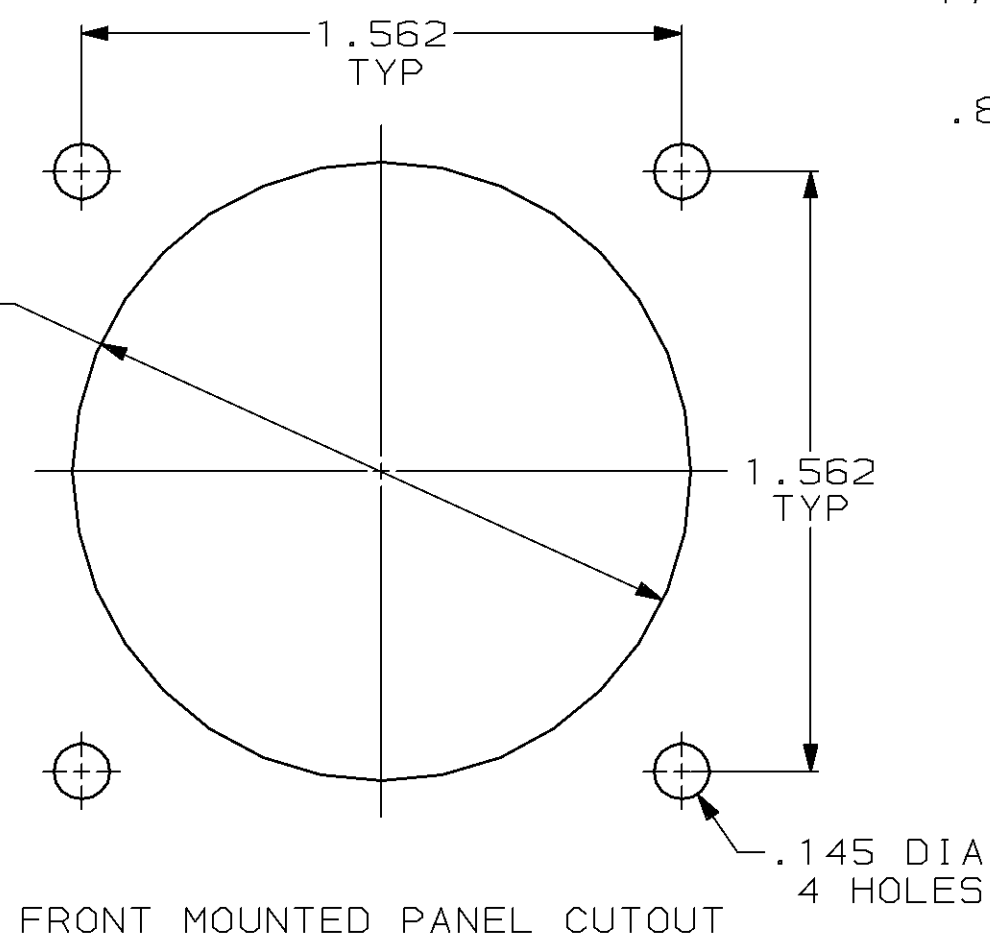
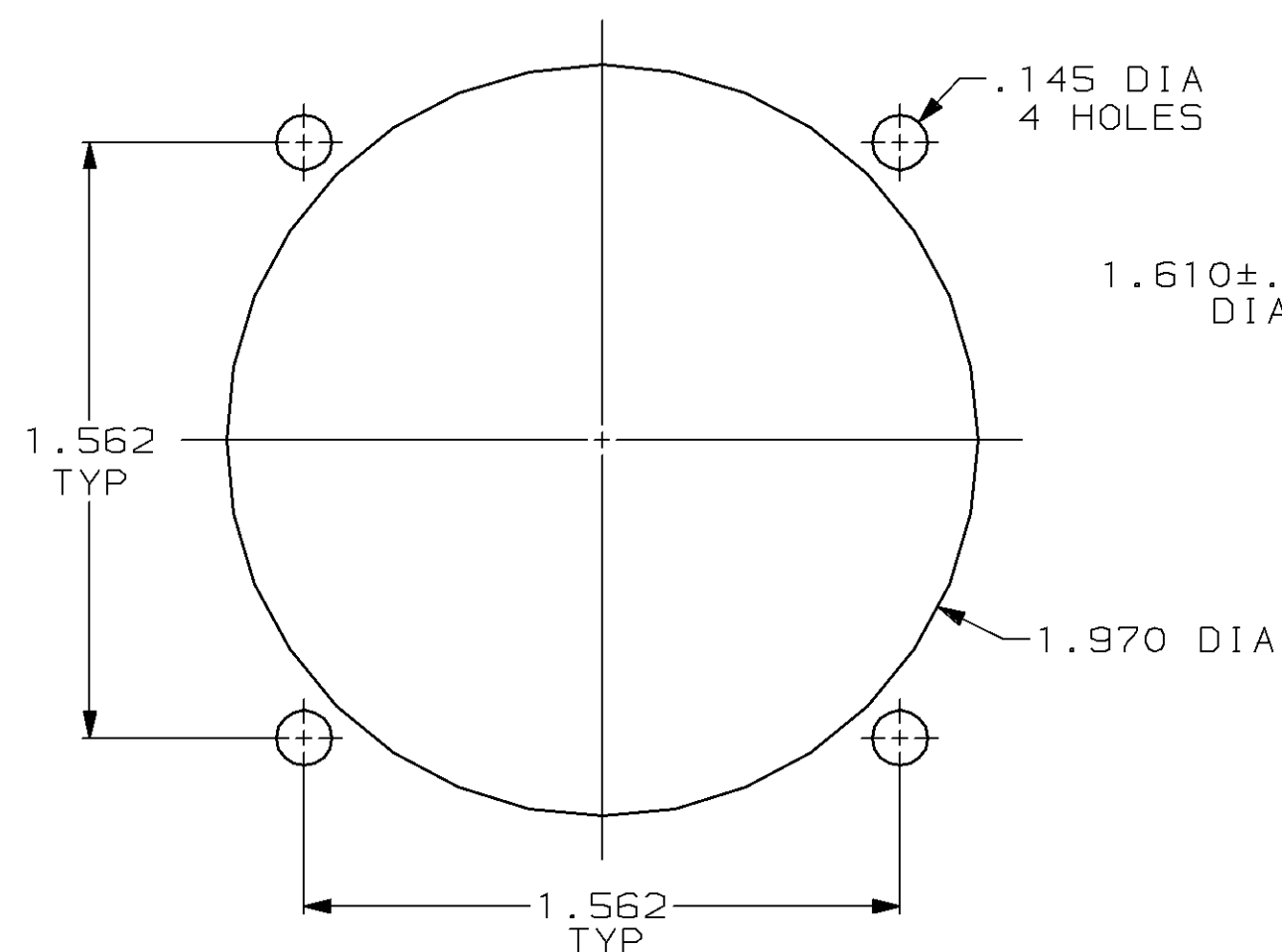
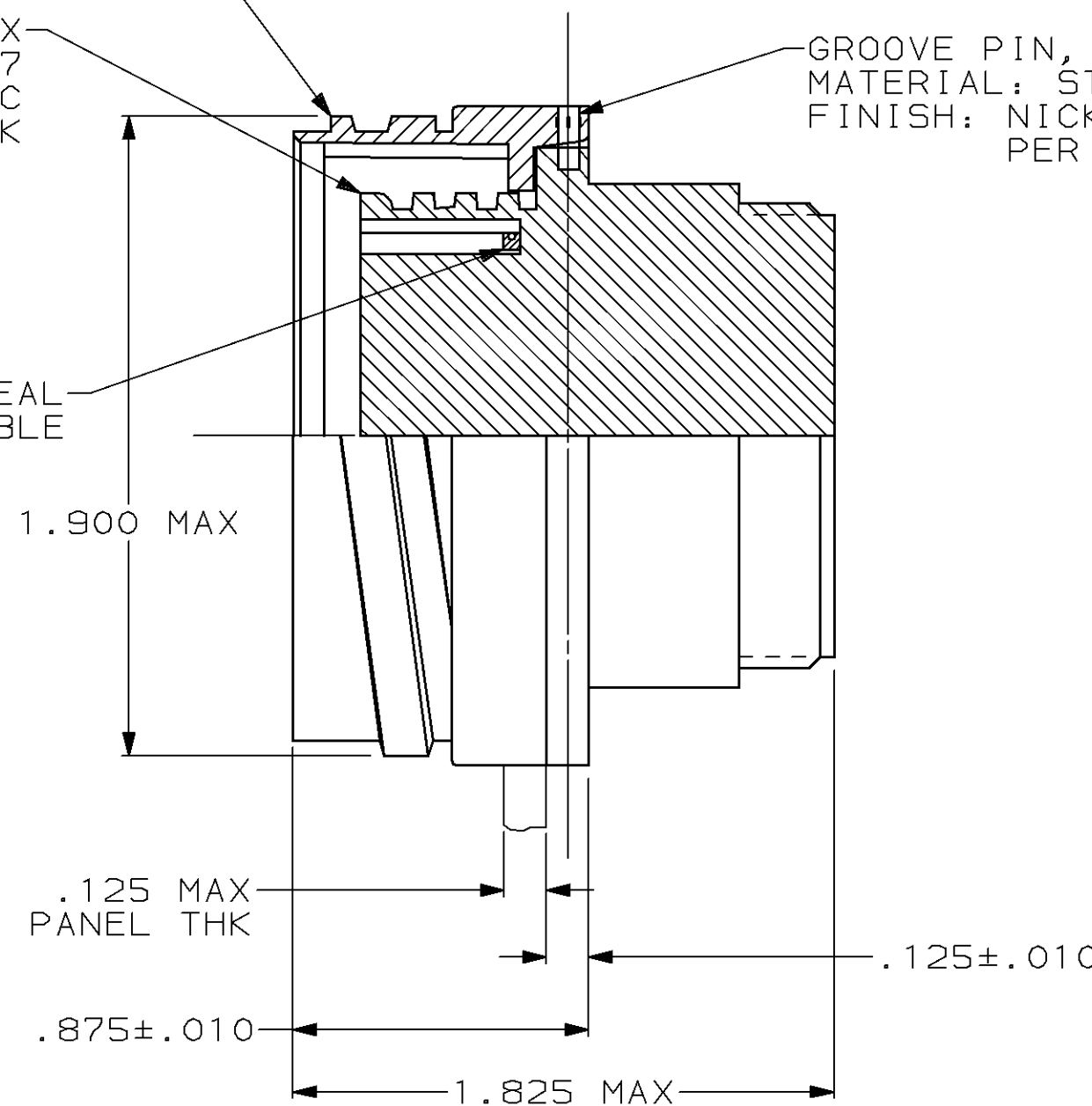


RECEPTACLE, REV SEX
 ARRANGEMENT 23-7
 MATERIAL: THERMOPLASTIC
 COLOR: BLACK

METAL SHELL RECEPTACLE
 MATERIAL: ZINC ALLOY
 FINISH: NICKEL PLATED PER QQ-N-290

GROOVE PIN, 2 PLC
 MATERIAL: STEEL ALLOY
 FINISH: NICKEL PLATED
 PER QQ-N-290

PERIPHERAL SEAL
 SEE TABLE



OBSOLETE	YES	208485-2
	NO	208485-1
	PERIPHERAL SEAL	PART NUMBER

REAR MOUNTED PANEL CUTOUT

FRONT MOUNTED PANEL CUTOUT

- 208485-1 MATES WITH AMP PLUG 208484-1 OR -3. 208485-2 MATES WITH 208484-1 ONLY.
- AMP PART NUMBER AND DATE CODE TO BE LOCATED ON EDGE OF FLANGE.

DO NOT SCALE PRINT. UNLESS SPECIFIED DIMENSIONS IN INCHES TOLERANCES ON :	DR 6-27-91 R.LEE BG	NAME	AMP Incorporated Harrisburg, PA 17105-3608		
	CHK 4-14-92 W.G.LENKER				
2 PLC DEC ± -	APPD 4-14-92 K.BEAVER	RECEPTACLE ASSEMBLY, REV SEX, SERIES 3, 28-7, CMC	SIZE CAGE CODE DRAWING NO C 00779 208485		
3 PLC DEC ± .005	APPD 4-15-92 C.ROHDE				
ANGLES ± -	PRODUCT SPEC 108-10040	SCALE 2:1	SHEET 1 OF 1		
MATERIAL SEE CALLOUT	APPLICATION SPEC -	WEIGHT -			
FINISH SEE CALLOUT					

单击下面可查看定价，库存，交付和生命周期等信息

[>>TE Connectivity\(泰科\)](#)