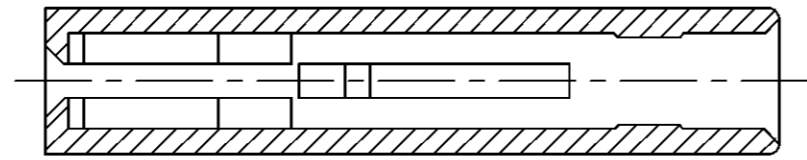
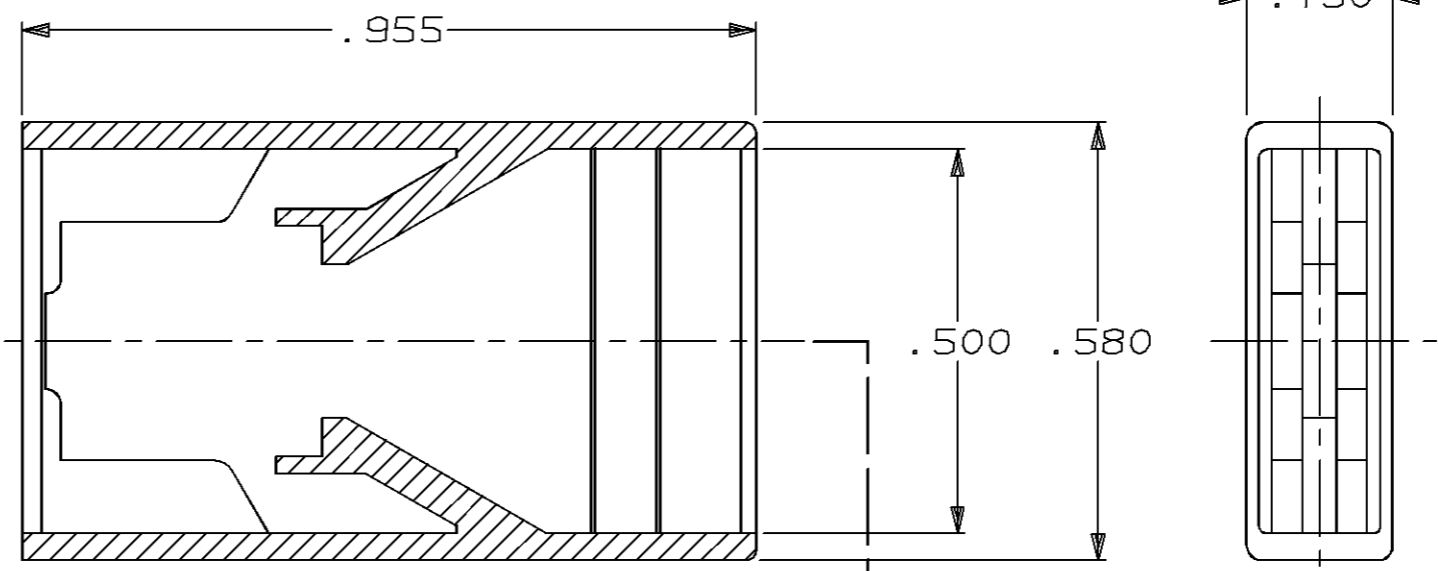
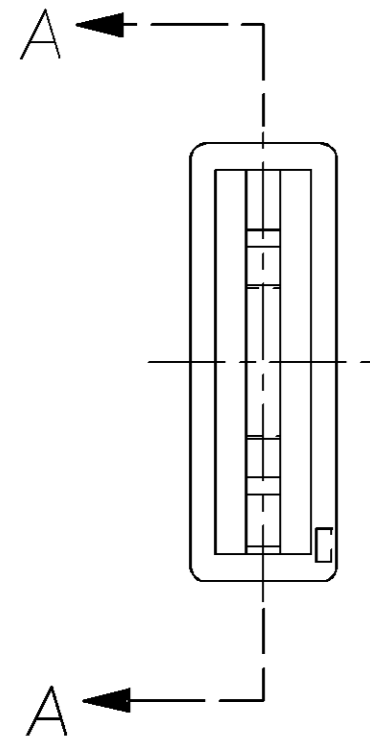


THIS DRAWING IS UNPUBLISHED. RELEASED FOR PUBLICATION, 19 .  
 © COPYRIGHT 19 BY AMP INCORPORATED. ALL INTERNATIONAL RIGHTS RESERVED.

LOC	DIST	P	F	ZONE	LTR	REVISIONS		
AF	50				F	DESCRIPTION	DATE	APPD
						REV PER 0710-0081-95	3/2/95	JR/RB



SECTION B-B



SECTION A-A

1-480458-0  
PART NO

DO NOT SCALE PRINT. UNLESS SPECIFIED DIMENSIONS ARE IN INCHES TOLERANCES ON: 2 PLC DEC ± - 3 PLC DEC ± .015 ANGLES ± - MATERIAL 6/6 NYLON FINISH NATURAL	DR 2/4/91 JR RUTH	<b>AMP</b> AMP Incorporated Harrisburg, PA 17105-3608
	CHK 2/4/91 P FORTNEY	
	APPD 2/4/91 C MEYERS	NAME HOUSING, RECEPTACLE, FASTON™ .250 SERIES
	APPD 2/4/91 D REINER PRODUCT SPEC -	SIZE <b>B</b> CAGE CODE 00779 DRAWING NO 480458
	APPLICATION SPEC -	SCALE 4:1 SHEET 1 OF 1
	WEIGHT -	

单击下面可查看定价，库存，交付和生命周期等信息

[>>TE Connectivity\(泰科\)](#)