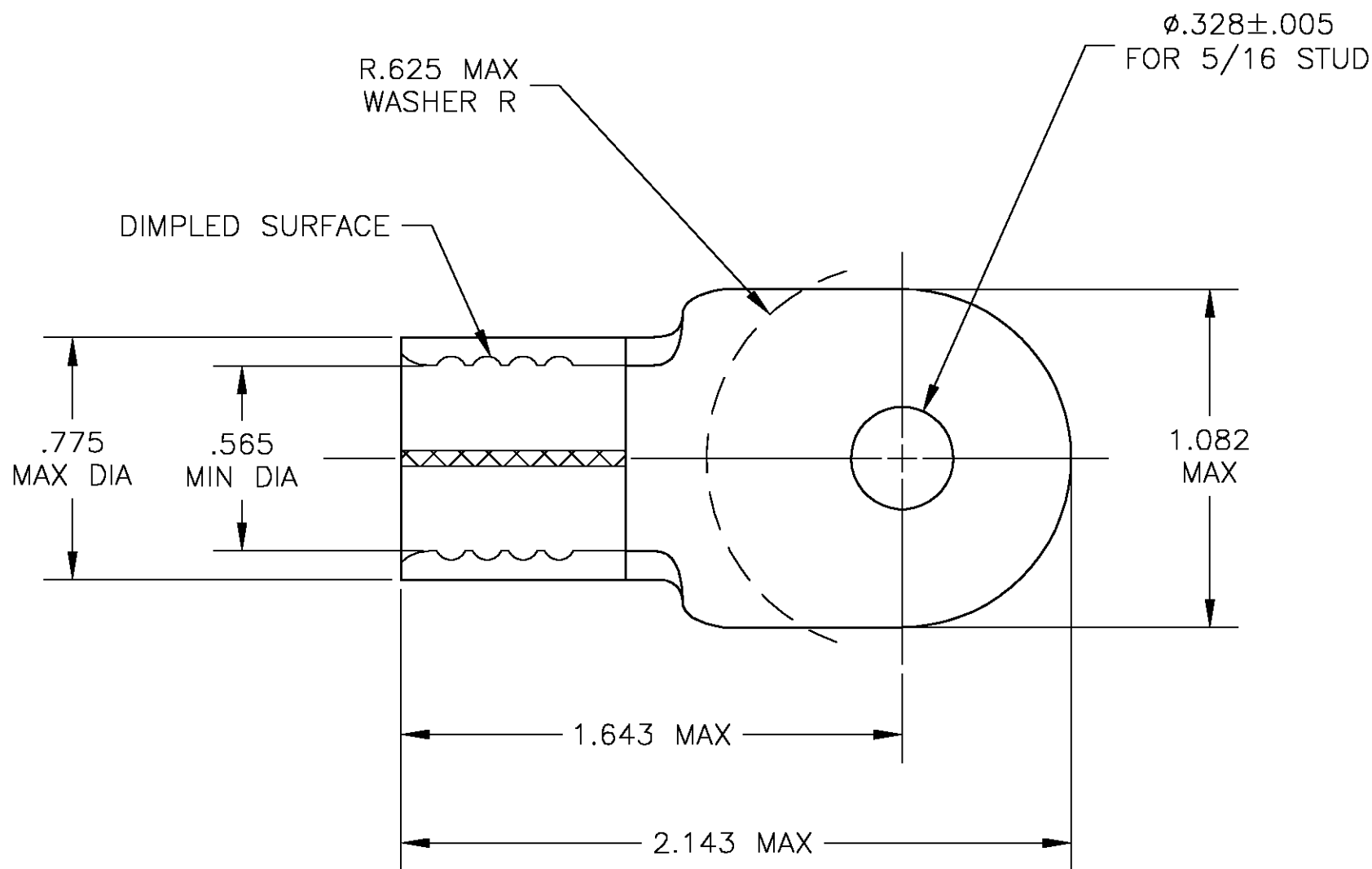


THIS DRAWING IS UNPUBLISHED. RELEASED FOR PUBLICATION  
 © COPYRIGHT BY TYCO ELECTRONICS CORPORATION. ALL RIGHTS RESERVED.

LOC	DIST	REVISIONS			
P	LTR	DESCRIPTION	DATE	DWN	APVD
G	14	C	REDRAWN PER 0G3A-0603-03	03OCT03	JR MS

- 1 TONGUE THK IS  $.091 \pm .003$
- 2 TIN PLATE PER ASTM B545 ANNEALED



320266-0  
 PART NO

THIS DRAWING IS A CONTROLLED DOCUMENT.		DWN jr_ruth	03OCT03	Tyco Electronics Corporation Harrisburg, PA 17105	
DIMENSIONS: INCHES		CHK MJ SPICER	03OCT03		
		APVD MJ SPICER	03OCT03	NAME TERMINAL, SOLISTRAND, RING TONGUE, WIRE SIZE : 3/0	
TOLERANCES UNLESS OTHERWISE SPECIFIED:		PRODUCT SPEC		SIZE A3	
0 PLC ± -		APPLICATION SPEC		CAGE CODE 00779	DRAWING NO C-320266
1 PLC ± -				RESTRICTED TO	
2 PLC ± -				-	
3 PLC ± .008				SCALE 2:1	
4 PLC ± -				SHEET 1 OF 1	
ANGLES ± 5'				REV C	
FINISH		WEIGHT	-	CUSTOMER DRAWING	
COPPER ASTM B152					

单击下面可查看定价，库存，交付和生命周期等信息

[>>TE Connectivity\(泰科\)](#)