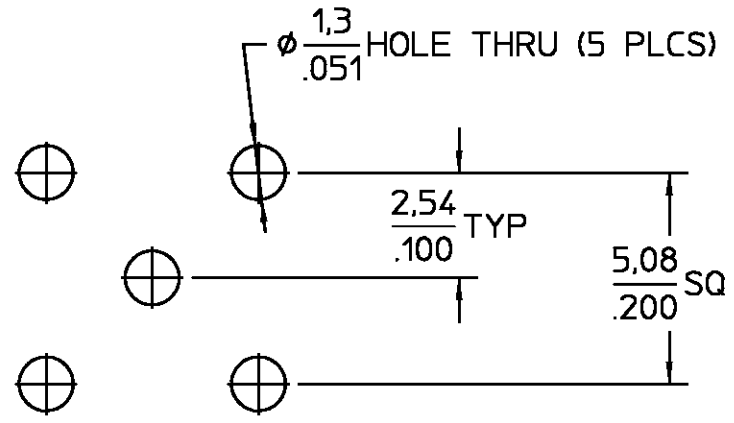


REVISIONS			
REV	DESCRIPTION	DATE	APPROVED
015	SEE ECN 92-0572	BME 10/30/90	CW 10/30/90
016	REVISED DATA TABLE PER ECN 95-0262	6/21/95	S. Mody
017	REVISED, ECN 97-0391	12-3-97	KYLE
018	REVISED	DM 3/16/99	Tag 3/16/99



ELECTRICAL	MECHANICAL	ENVIRONMENTAL
Nominal Impedance (Ohms) <u>50</u>	Force to Engage: (Lbs) <u>3.4 MAX</u>	Temperature Rating <u>-65°C to +165°C</u>
Frequency Range (GHz) <u>DC TO 6.0</u>	Force to Disengage: (Lbs) <u>1.77 MIN - 4.5 MAX</u>	Vibration <u>MIL-STD-202, Method 204, Condition B</u>
Voltage Rating (VRMS MAX) <u>335 @ Sea level</u>	Center Contact Captivation: <u>Axial 4.5lbs @ 1 minute with .006" displacement</u>	Thermal shock <u>MIL-STD-202, Method 107, Condition B</u>
VSWR <u>N/A</u>		Moisture Resistance <u>MIL-STD-202, Method 106</u>
Insertion Loss <u>N/A</u>		Corrosion <u>MIL-STD-202, Method 101, Condition B, 48 Hrs</u>
Corona, 70,000 Ft (VRMS MIN) <u>250 D.W.V.</u>		
(VRMS MIN) <u>1000</u>		
Contact Resistance		
Center Contact (Milliohms MAX) <u>5.0</u>		
Outer Contact (Milliohms MAX) <u>1.0</u>		
Cable To Housing (Milliohms MAX) <u>1.0</u>		
RF High Potential (VRMS MIN @ 5 MHz) <u>670</u>		
I.R. (Megohms Min) <u>10,000</u>		

COMPONENT	MATERIAL	FINISH
HOUSING CAP	BRASS PER ASTM-B-16 HALF HARD	NICKEL PLATE PER QQ-N-290
DIELECTRIC	PTFE FLUOROCARBON PER ASTM-D-1457	N/A
CENTER CONTACT	BERYLLIUM COPPER PER ASTM B 196, ALLOY C17300, CONDITION H	GOLD PLATE PER MIL-G-45204

UNLESS OTHERWISE SPECIFIED DIMENSIONS ARE IN MILLIMETERS TOLERANCE ON DEC ANGLES ±0.13 ° F	DRAWN BY M.Y. DATE 3-8-90	AMP Incorporated 140 Fourth Avenue Waltham, MA 02451-7599	
	CHECKED BY L.ROSS DATE 3-13-90		
These drawings and specifications are the property of AMP incorporated and shall not be reproduced or copied or used in whole or in part as the basis for the manufacture or sale of item(s) without written permission.	APPD BY [Signature] DATE 3-13-90	TITLE OSX PRINTED WIRING BOARD RIGHT ANGLE JACK RECEPTACLE STRAIGHT TERMINAL	
	USE ASSY PROCEDURE		SIZE B CODE IDENT NO. 26805 5864-5002-10 REV 018
	NO. AP. N/A		SCALE 6:1 SHEET 1 OF 1

CUSTOMER DRAWING AMP PART # 1061027-1 SHEET 1 OF 1 REV A

单击下面可查看定价，库存，交付和生命周期等信息

[>>TE Connectivity\(泰科\)](#)