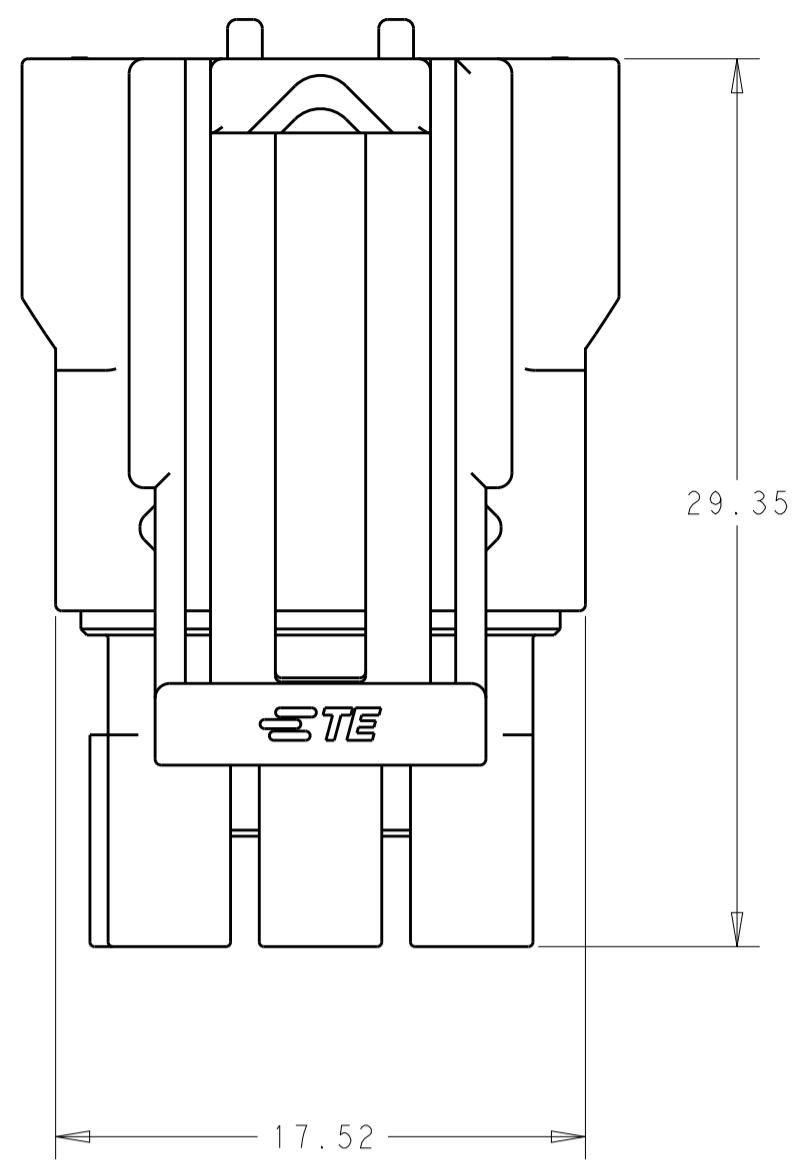
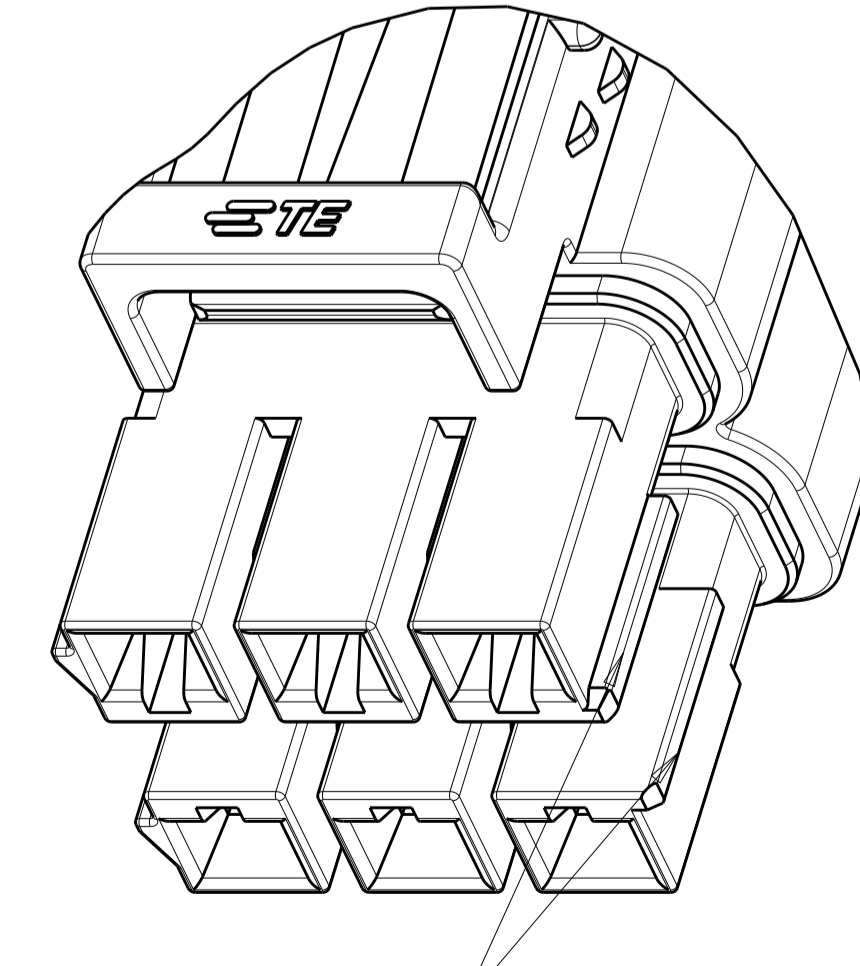
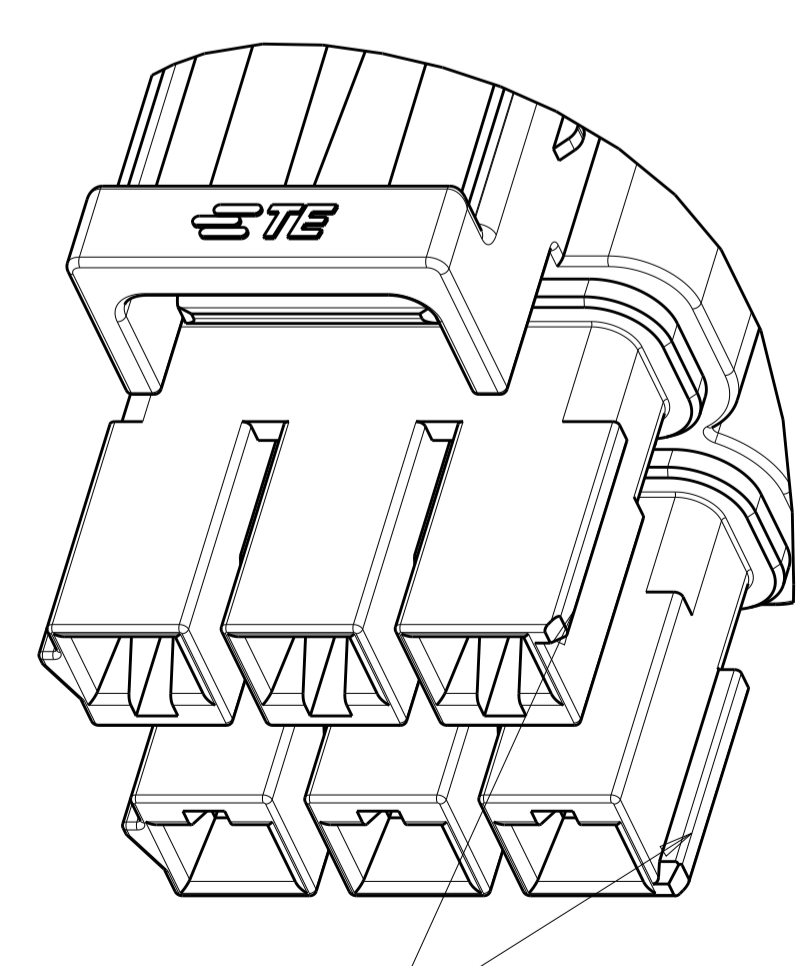
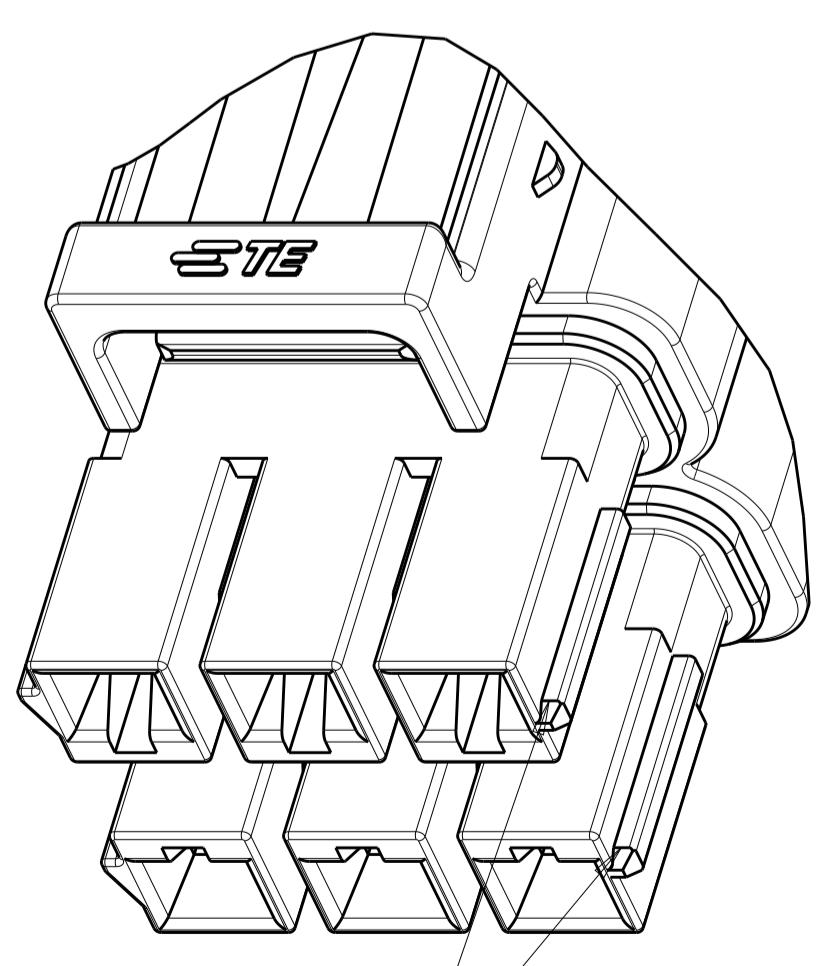
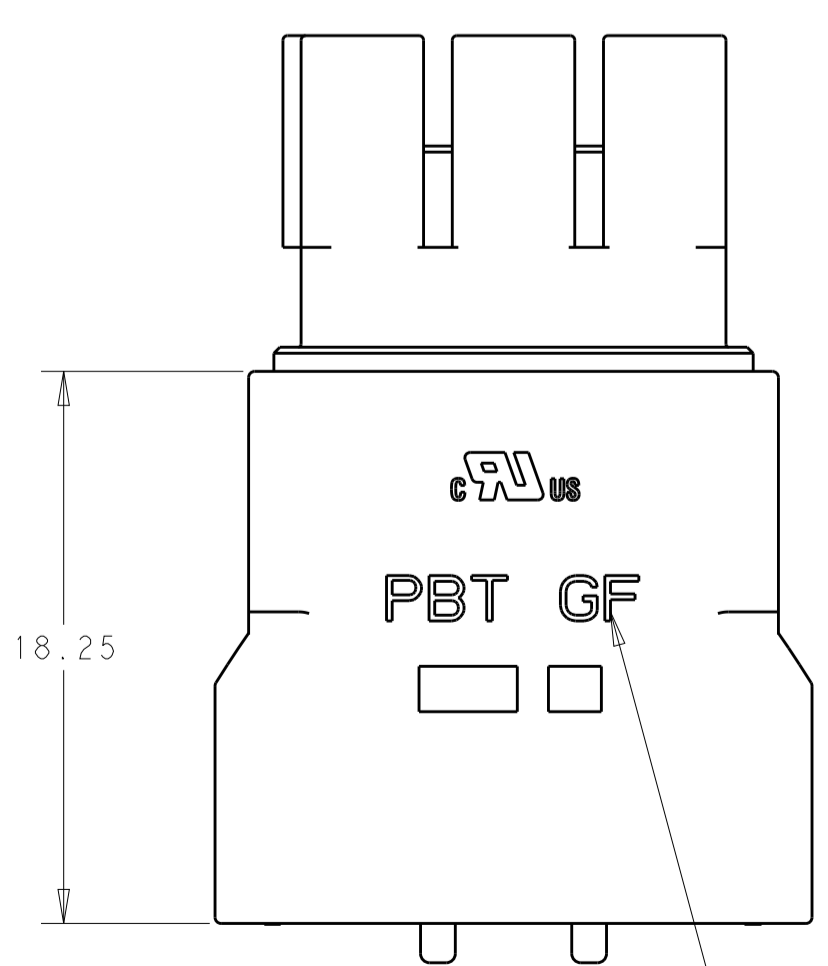
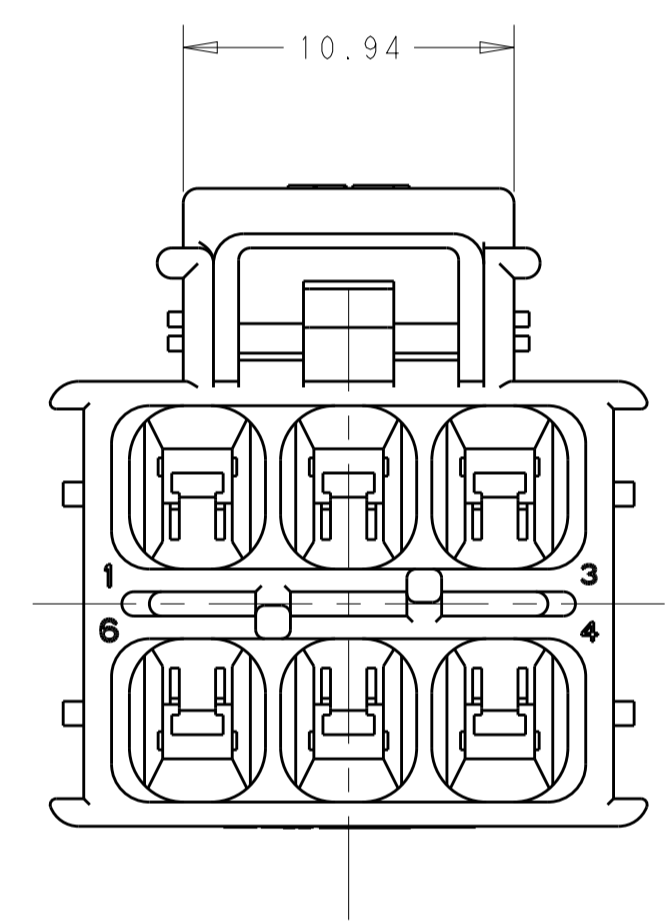
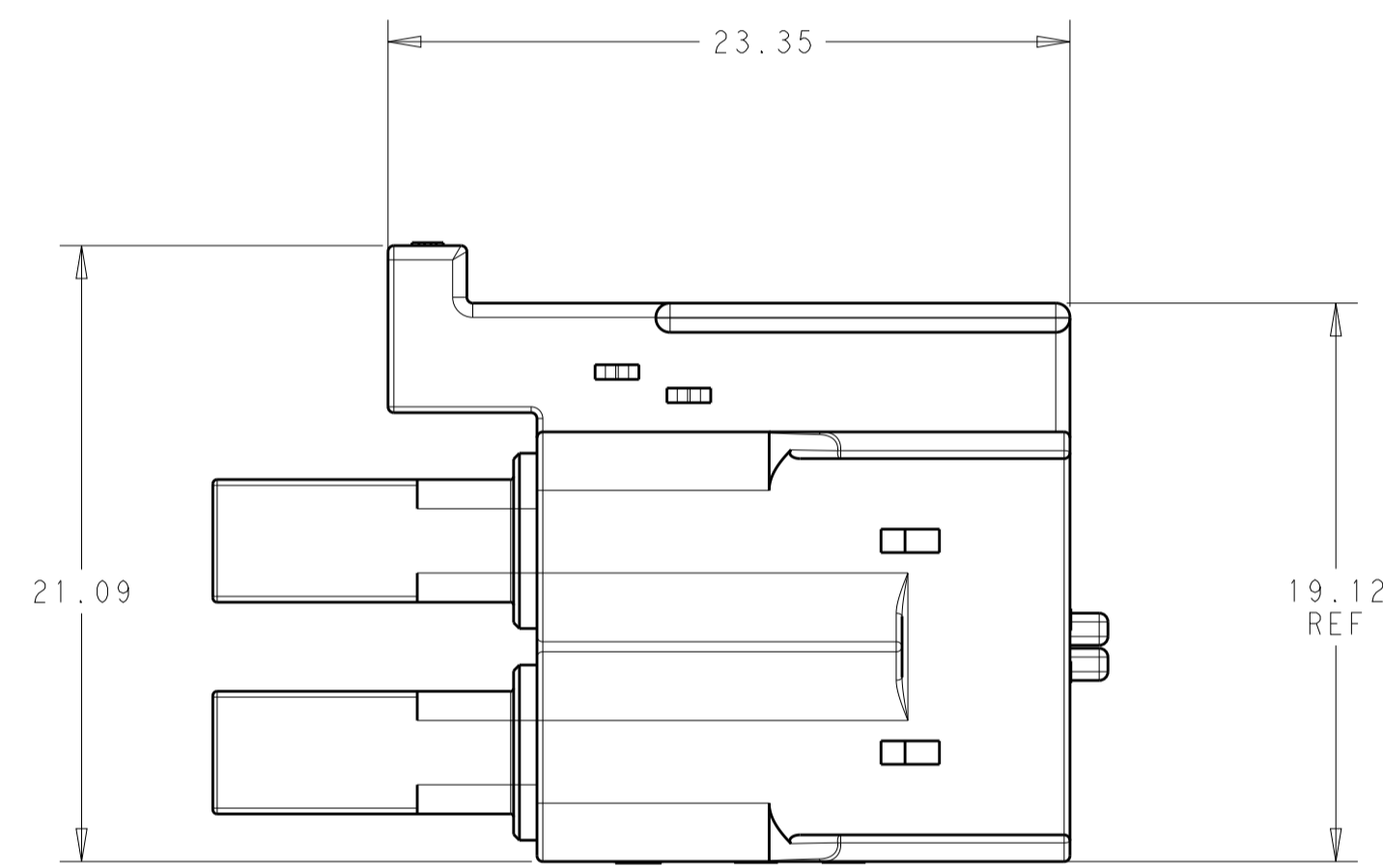
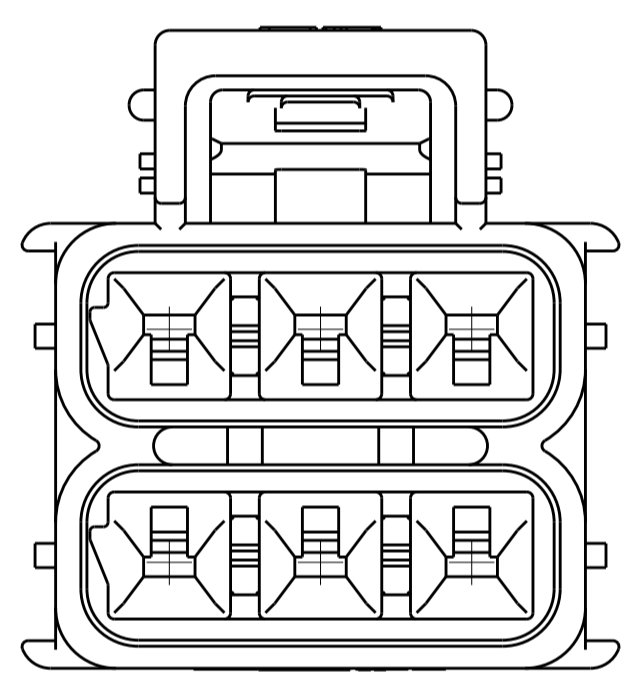


REVISIONS				
P.	LTM	DESCRIPTION	DATE	APVD
D		REVISED PER ECO-19-014853	01OCT2019	BKW GJ
D1		REVISED PER ECO-20-002758	21FEB2020	BKW DS
D2		REVISED PER ECR-20-100211	07AUG2020	JP VS
E		REVISED PER ECR-20-100662	08DEC2020	PC DS



- 1 MATERIAL: PBT, GLASS FILLED
- 2 MATERIAL MARK: PBT GF
- 3 APPLICABLE CONTACT P/N:
2329913-*/2329916-*/2329912-*/2329914-*/2329915-*/2329917-*/
2337138-*/2337137-*
- 4 MATING CONNECTOR P/N
CAP HSG: *2336231-*/*-2337219-
TPA: 2337218-6
INTERFACE SEAL: 2325347-3 (2 PER PLUG)
GANG SEAL: 2325349-3 (2 PER PLUG)
- 5 FLAMMABILITY RATING: UL94 V-0



COLOR	KEYING	POSITIONS	PART NUMBER
BROWN	KEY C	2*3	3-2336229-6
LIGHT GRAY	KEY B	2*3	2-2336229-6
NATURAL	KEY A	2*3	1-2336229-6

THIS DRAWING IS A CONTROLLED DOCUMENT.

DIMENSIONS:	TOLERANCES UNLESS OTHERWISE SPECIFIED:	DWN: B. WEAVER 19JUN2018	CHK: S. FERNANDES 19JUN2018	APVD: C. YI 19JUN2018
mm	0 PLC ± 1 PLC ±0.50 3 PLC ± 4 PLC ±	NAME: PLUG HOUSING, POWER VERSA-LOCK		
ANGLES	FINISH	PRODUCT SPEC: 108-143081	APPLICATION SPEC: 114-143082	SIZE: A1
MATERIAL: 1		WEIGHT: -	CAGE CODE: -	DRAWING NO: 2336229
		CUSTOMER DRAWING		SCALE: 4:1 SHEET 1 OF 1 REV E

单击下面可查看定价，库存，交付和生命周期等信息

[>>TE Connectivity\(泰科\)](#)