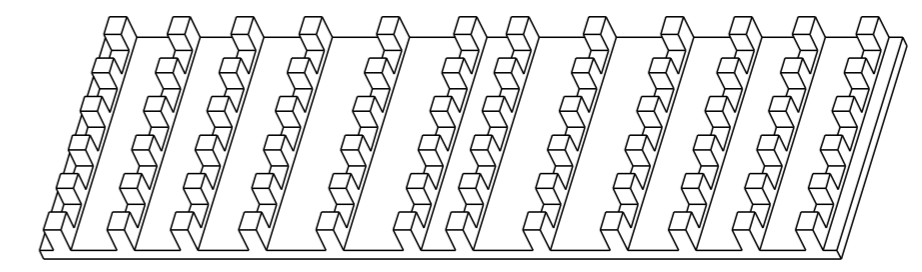
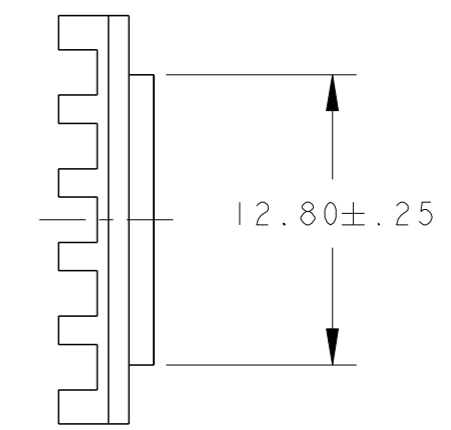
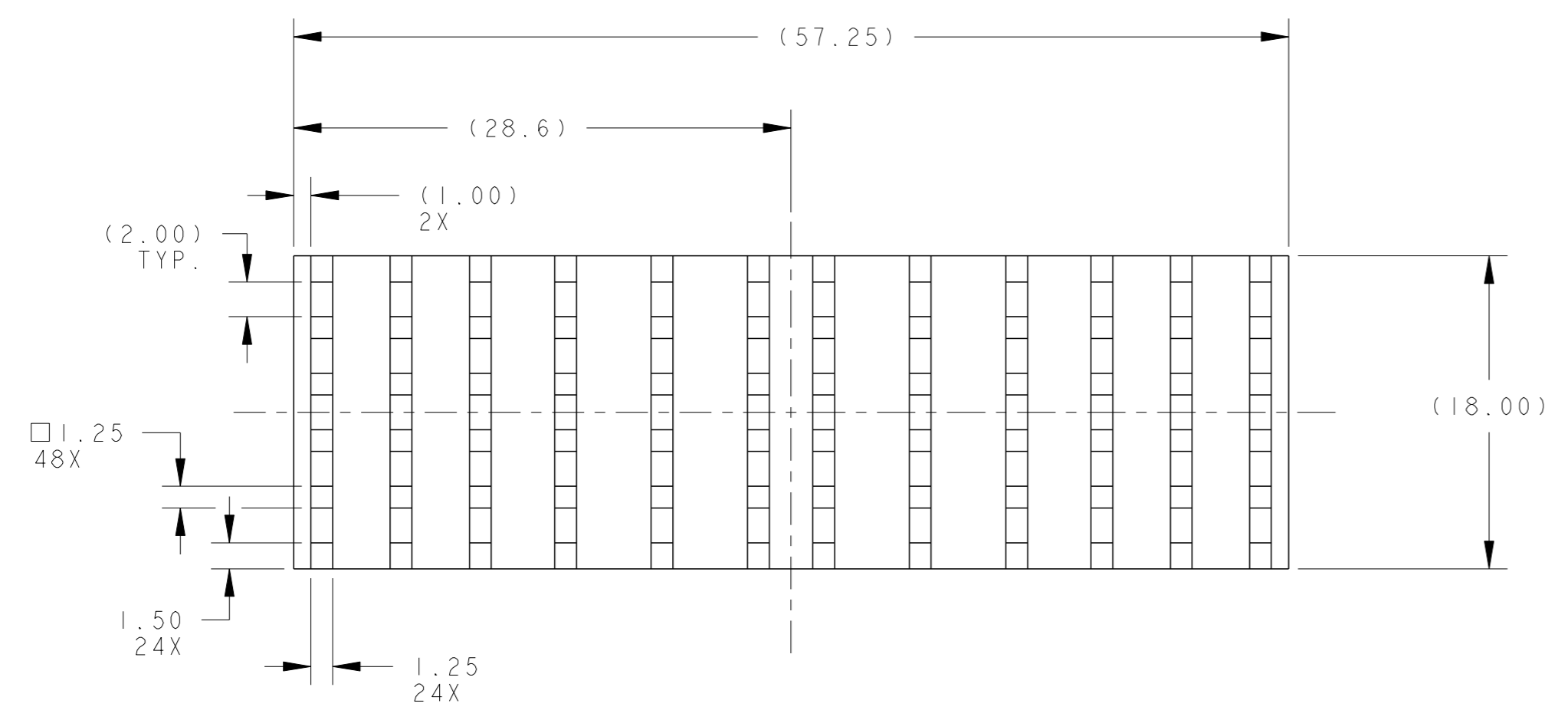


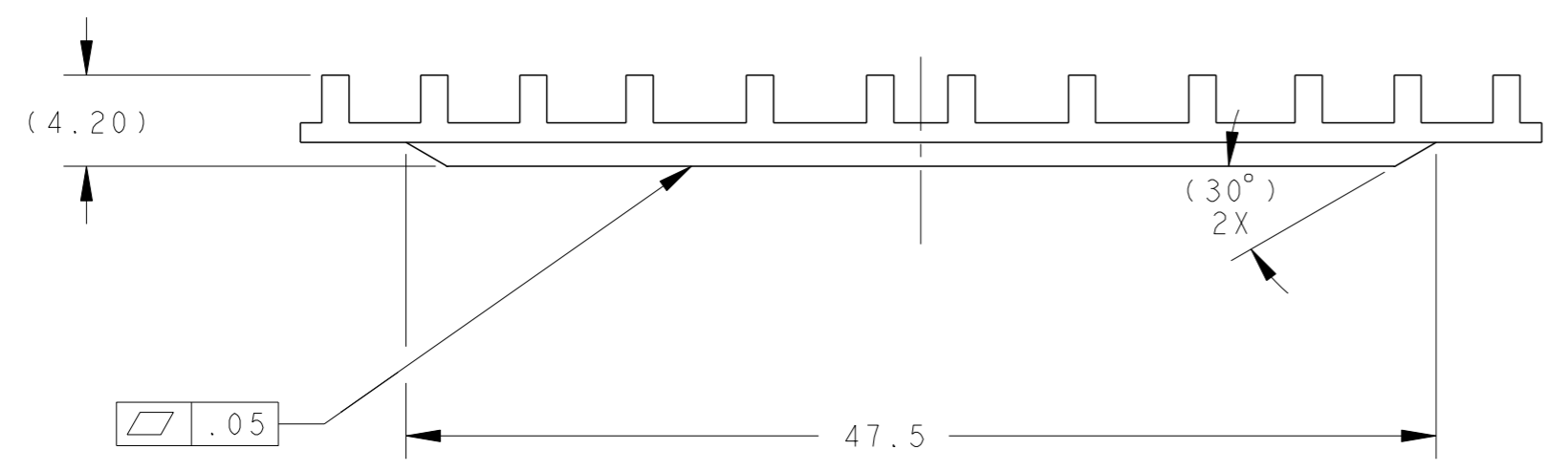
THIS DRAWING IS UNPUBLISHED. RELEASED FOR PUBLICATION
 © COPYRIGHT 2011 ALL RIGHTS RESERVED.

LOC		DIST		REVISIONS			
P	LTR	DESCRIPTION	DATE	DWN	APVD		
	LI	REVISED PER ECO-11-005294	07APR2011	RK	HMR		
	M	REVISED PER ECR-11-020011	07OCT2011	WA	WA		

NOTES: UNLESS OTHERWISE SPECIFIED:
 1. INTERPRET DRAWING PER ASME Y14.5M - 1994.



SCALE = 2X



ANODIZED BLACK (MIL-A-8625 TYPE II)	1542656-5
ELECTROLESS NICKEL	1542656-4
FINISH	PART NUMBER

THIS DRAWING IS A CONTROLLED DOCUMENT.		DWN E. TAO	3-26-03	STE TE Connectivity	
DIMENSIONS: mm		CHK S.G	3-26-03		
TOLERANCES UNLESS OTHERWISE SPECIFIED:		APVD		NAME	
0 PLC ±		-		PRODUCT SPEC	
1 PLC ±.5		-		APPLICATION SPEC	
2 PLC ±.20		-		SIZE	
3 PLC ±.100		-		CAGE CODE	
4 PLC ±		-		DRAWING NO	
ANGLES ±°		WEIGHT		RESTRICTED TO	
FINISH		-		-	
MATERIAL		CUSTOMER DRAWING		SCALE 4:1	
6063-T5 ALUMINUM		SEE TABLE		SHEET 1 OF 1	
		A2		REV M	
		G=1542656			

单击下面可查看定价，库存，交付和生命周期等信息

[>>TE Connectivity\(泰科\)](#)