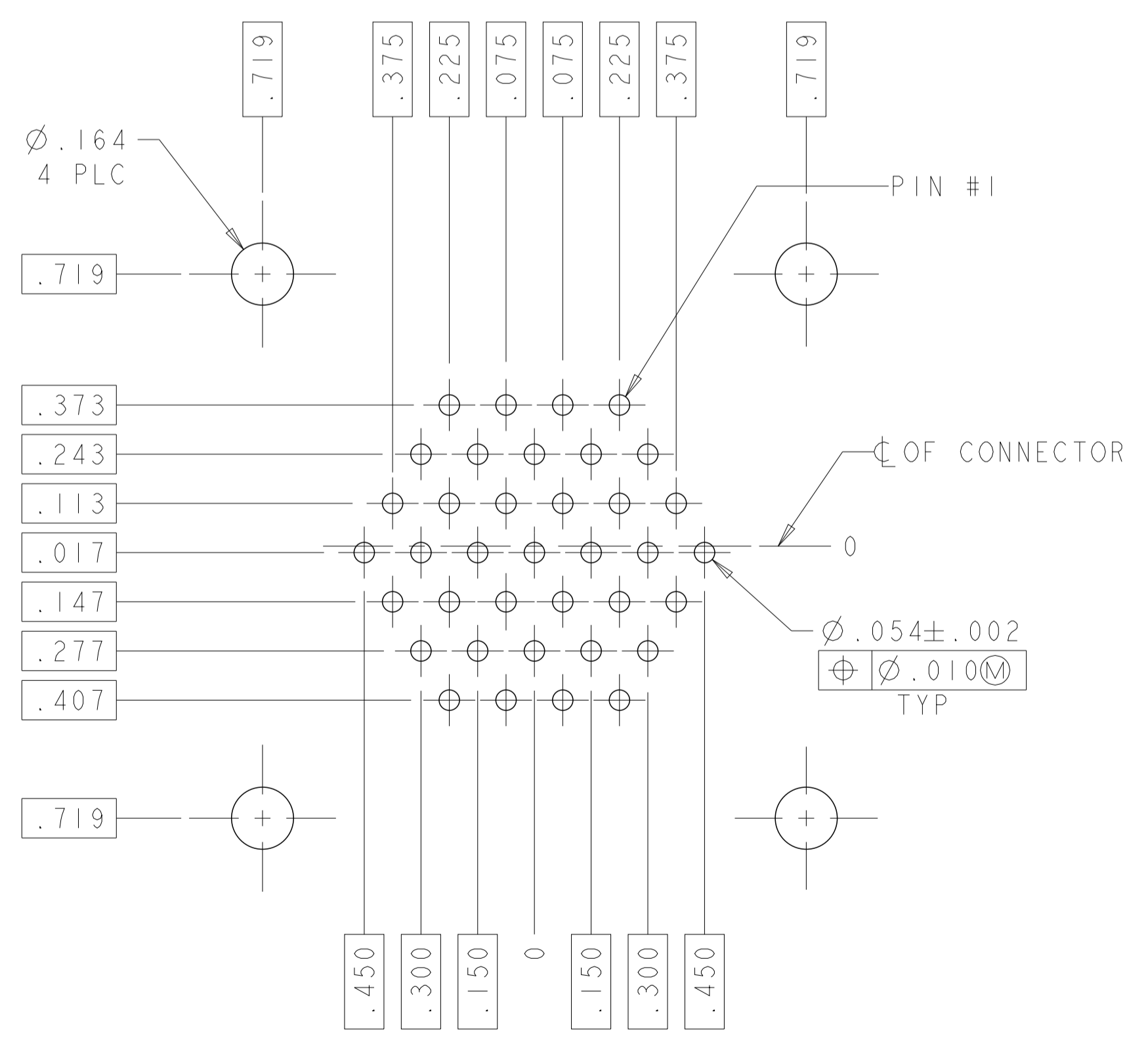
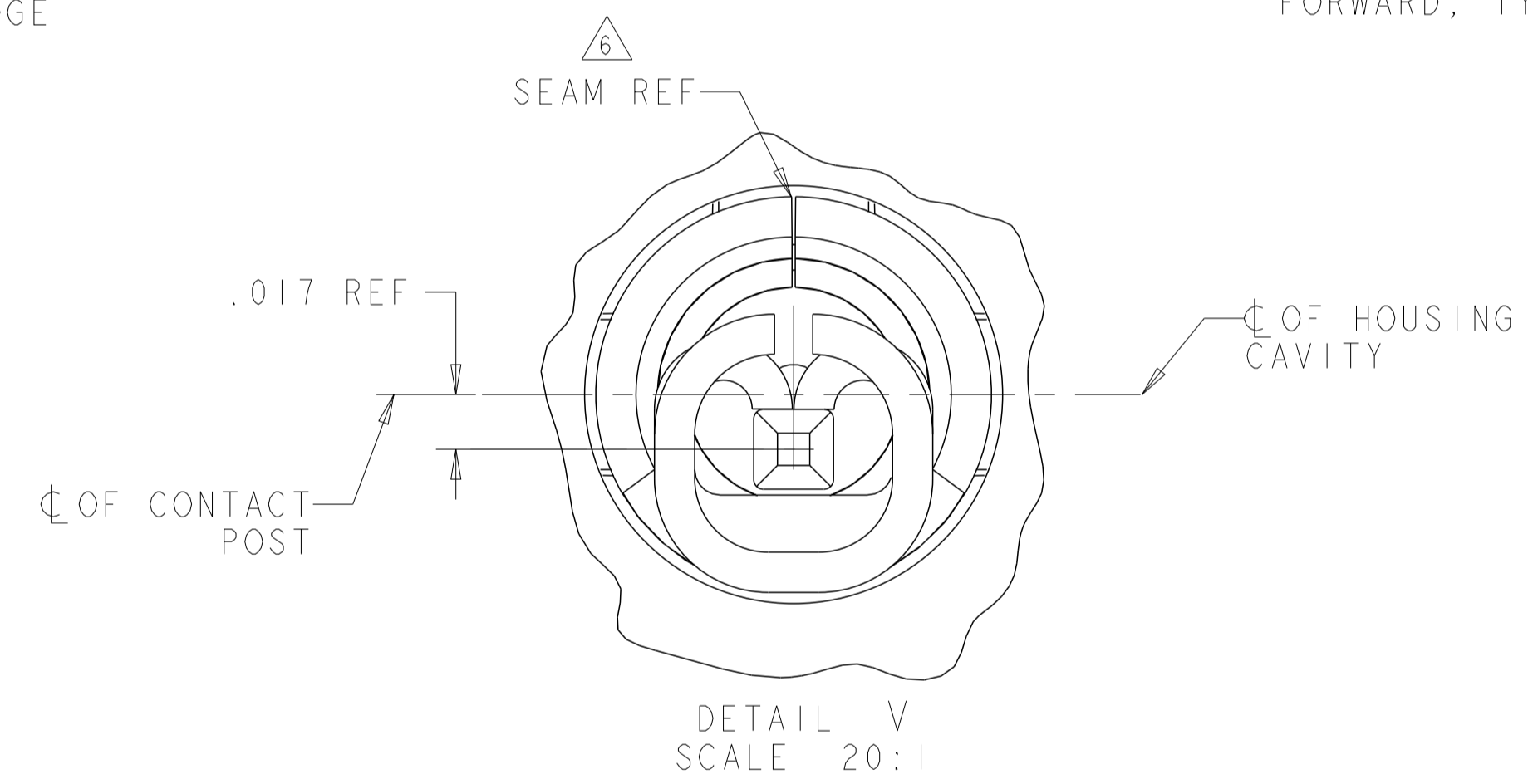
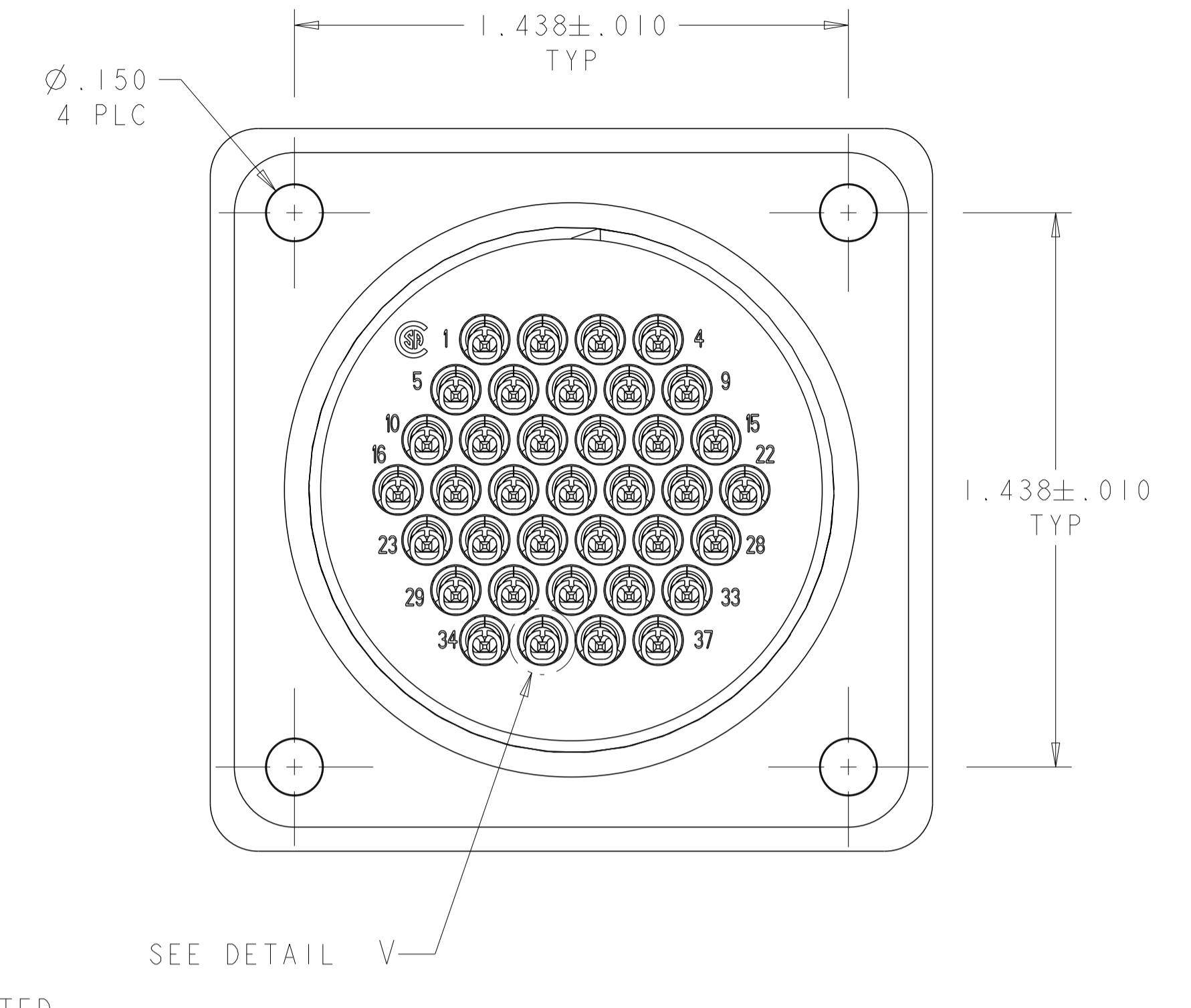
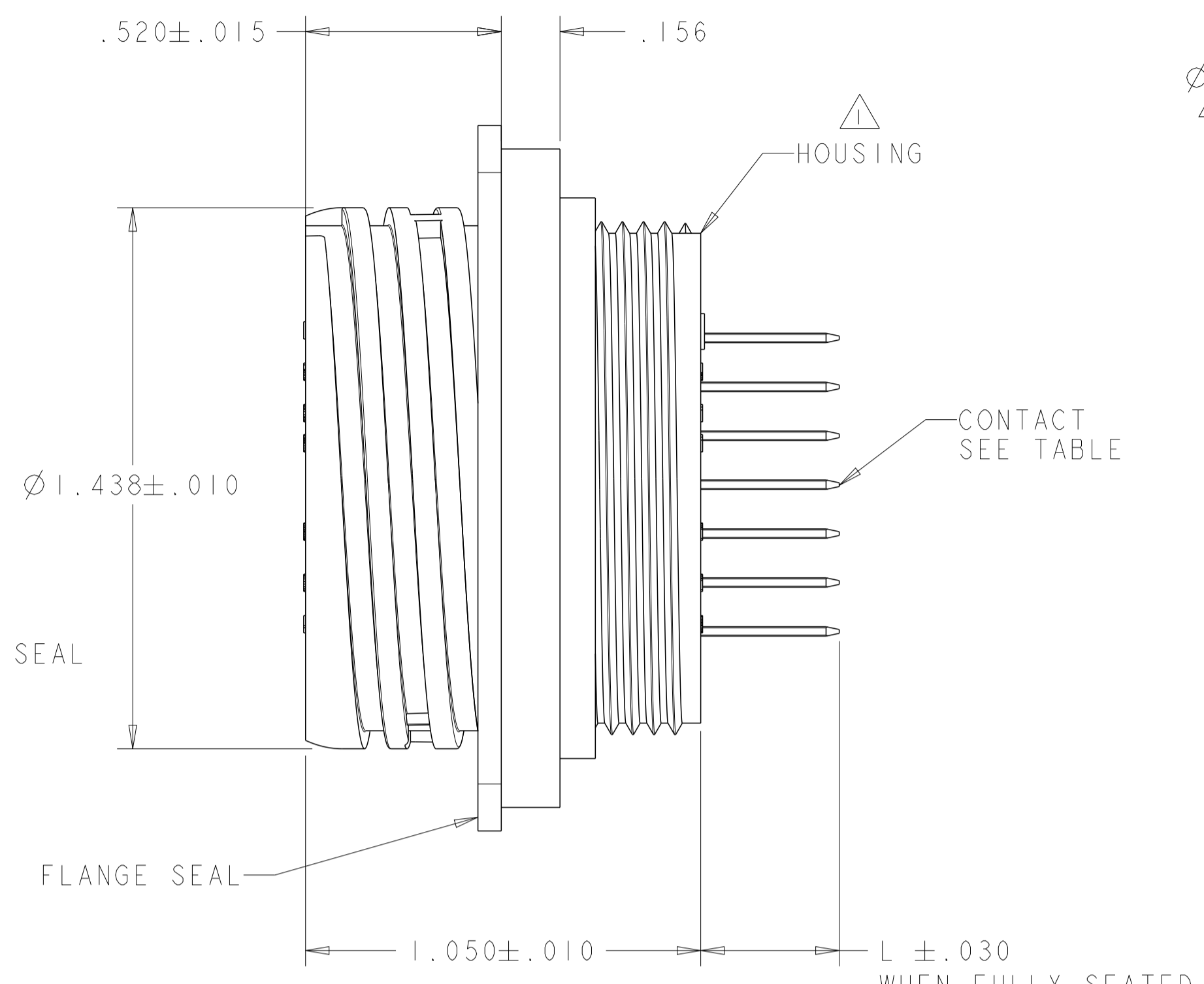
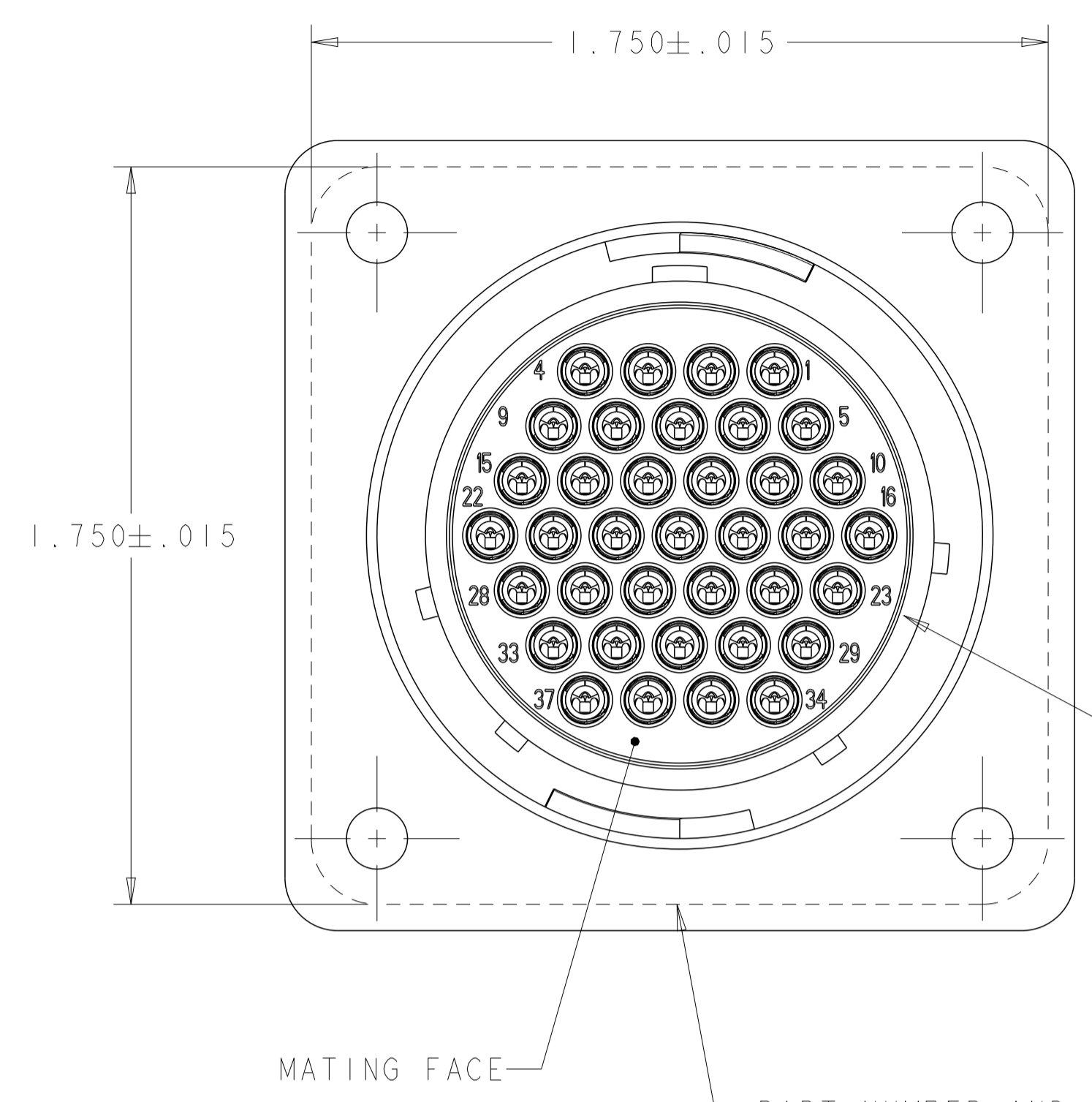


REVISIONS					
P	LTN	DESCRIPTION	DATE	DWN	APVD
AF	3	REVISED PER ECO-16-004800	07SEP2016	NK	MZ
AG		REVISED PER ECO-17-004657	05APR2017	RS	MZ
AH		REVISED PER ECO-19-011232	08AUG2019	RS	MZ



- ① HOUSING: THERMOPLASTIC, COLOR: BLACK.
- ② PERIPHERAL SEAL: ELASTOMER, COLOR: BLACK.
- ③ CONTACT:
BODY - BRASS, .000030 MIN GOLD FOR A LENGTH OF .200 MIN FROM MATING END, GOLD FLASH ON REMAINDER, BOTH OVER .000050 MIN NICKEL.
POST - BRASS, .000100 MIN TIN-LEAD OVER .000100 MIN COPPER.
- ④ CONTACT:
BODY - BRASS, .000100 MIN TIN-LEAD OVER .000050 MIN NICKEL.
POST - BRASS, .000100 MIN TIN-LEAD OVER .000100 MIN COPPER.
- ⑤ CONTACT:
BODY - BRASS, .000100 MIN TIN OVER .000050 MIN NICKEL.
POST - BRASS, .000100 MIN TIN OVER .000050 MIN NICKEL.
- ⑥ .009 MAXIMUM CONTACT LEAD-IN SEAM GAP PERMISSIBLE ON MATING FACE END.
- ⑦ CONTACT:
BODY - BRASS, .000030 MIN GOLD FOR A LENGTH OF .200 MIN FROM MATING END, GOLD FLASH ON REMAINDER, BOTH OVER .000050 MIN NICKEL.
POST - BRASS, .000100 MIN TIN OVER .000100 MIN COPPER.
- ⑧ CONTACT:
BODY - BRASS, .000100 MIN TIN OVER .000050 MIN NICKEL.
POST - BRASS, .000100 MIN TIN OVER .000100 MIN COPPER.
- ⑨ FLANGE SEAL: ELASTOMER, COLOR: BLACK.

NO	NO	.547	⑦	ALL	2-208224-9	
OBSOLETE	NO	NO	.490	⑦	ALL	2-208224-8
	YES	YES	.368	⑦	1-17, 19-37	2-208224-5
	NO	NO	.557	③	1-9, 11-31, 33-37	2-208224-4
	NO	YES	.557	③	ALL	2-208224-3
	NO	NO	.368	①	ALL	2-208224-2
	NO	NO	.557	⑦	ALL	2-208224-1
	NO	YES	.368	⑧	1-10, 12-29, 31-37	+208224-8
	NO	YES	.368	⑧	4,8,10,23,31,34-36	+208224-7
	NO	YES	.368	⑧	1-10, 12-29, 31-37	+208224-6
OBSOLETE	NO	YES	.368	⑤	1-22, 24-37	+208224-5
	NO	NO	.368	⑤	ALL	+208224-3
	NO	YES	.368	⑤	1-10, 12-29, 31-37	+208224-2
	NO	YES	.368	⑤	1-22, 24-37	+208224-1
OBSOLETE	NO	YES	.368	④	1-10, 12-29, 31-37	1-208224-0
	NO	NO	.368	③	ALL	208224-9
	NO	YES	.368	④	1-22, 24-37	208224-5
OBSOLETE	NO	YES	.368	④	4,8,10,23,31,34-36	208224-4
	NO	YES	.368	④	1-10, 12-29, 31-37	208224-3
	NO	NO	.368	④	ALL	208224-2
	NO	NO	.557	③	ALL	208224-1

THIS DRAWING IS A CONTROLLED DOCUMENT. DWN S. WELDON 26FEB2003
CHK S. HEADER 26FEB2003

DIMENSIONS: INCHES TOLERANCES UNLESS OTHERWISE SPECIFIED:
0 PLC ±.0
1 PLC ±.00
2 PLC ±.00
3 PLC ±.000
4 PLC ±.0000
ANGLES ±.0000

MATERIAL FINISH WEIGHT

APVD S. HEADER 26FEB2003
NAME RECEPTACLE ASSEMBLY, POSTED, REVERSE SEX, SERIES 1, 23-37, CPC
PRODUCT SPEC APPLICATION SPEC

SIZE CAGE CODE DRAWING NO RESTRICTED TO
A100779C=208224

CUSTOMER DRAWING SCALE 3:1 SHEET 1 OF 1 REV AH

RECOMMENDED PC BOARD LAYOUT

单击下面可查看定价，库存，交付和生命周期等信息

[>>TE Connectivity\(泰科\)](#)