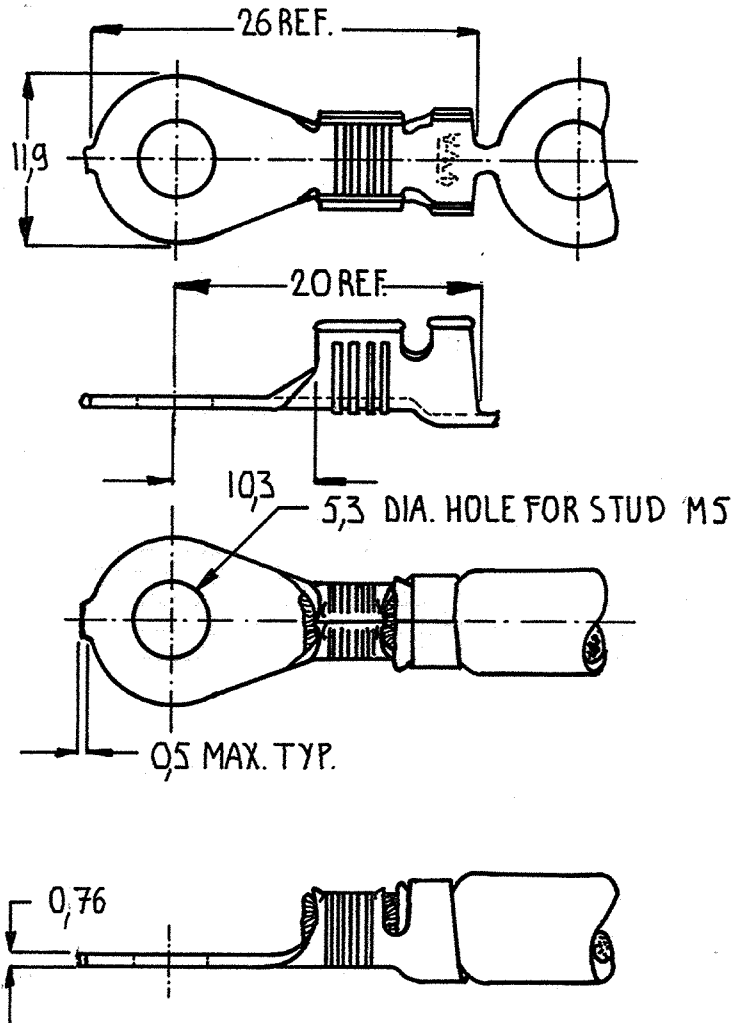
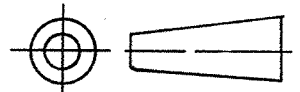


DO NOT SCALE

DIMENSIONS IN mm

METRIC

THIRD ANGLE  
PROJECTION



NOTES:  $\triangle 1$  FOR USE ON STANDARD AND MINIATURE APPLICATORS.  
 $\triangle 2$  FOR USE ON MINIATURE APPLICATORS. (AMP-O-MATOR APPL)

$\triangle 1 \triangle 2$	UNPLATED	BRASS	160092-3
$\triangle 1$	TINPLATED	BRASS	160092-2
$\triangle$	UNPLATED	BRASS	160092-1
NOTES	FINISH	MATERIAL	PART NUMBER

CUSTOMER  
DRAWING

**AMP**

AMP-HOLLAND B.V.  
's-Hertogenbosch, The Netherlands

FOR REFERENCE ONLY  
WILL NOT BE UPDATED

THIS DRAWING IS UNPUBLISHED\*

RELEASED FOR PUBLICATION \_\_\_\_\_, 19

© COPYRIGHT 19 BY AMP-HOLLAND B.V.  
ALL INTERNATIONAL RIGHTS RESERVED.  
AMP PRODUCTS MAY BE COVERED BY U.S. AND FOREIGN PATENTS AND/OR PATENTS PENDING.

DR. <i>[Signature]</i> 20/4-83	WIRE RANGE 3,1 - 5,3 mm <sup>2</sup>	NAME RINGTONGUE	REV. DATE D M Y
CHK. <i>[Signature]</i> 29/4.83	INSUL. RANGE 3,8 - 5,3 DIA.		28 4 83
APP. <i>[Signature]</i> 28.4.83	SIZE A4	SHEET 1 OF 1	REV. LTR. 0

C-160092

单击下面可查看定价，库存，交付和生命周期等信息

[>>TE Connectivity\(泰科\)](#)