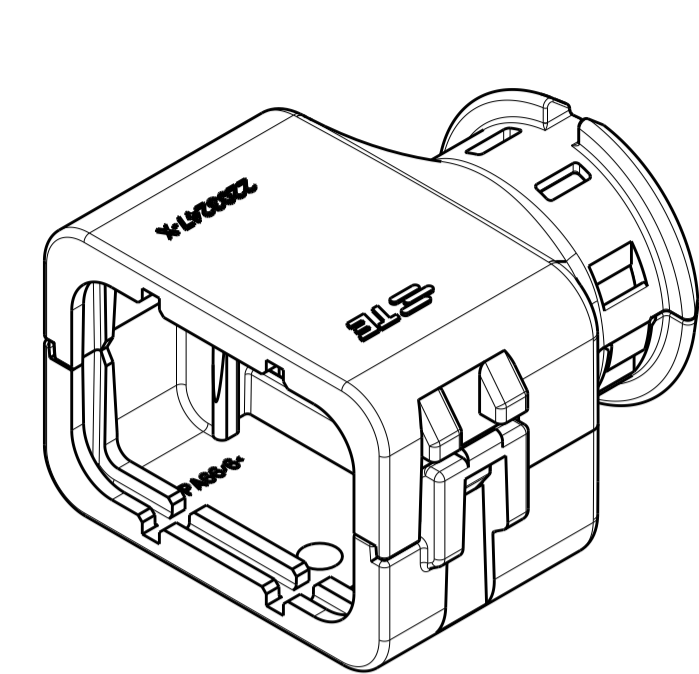
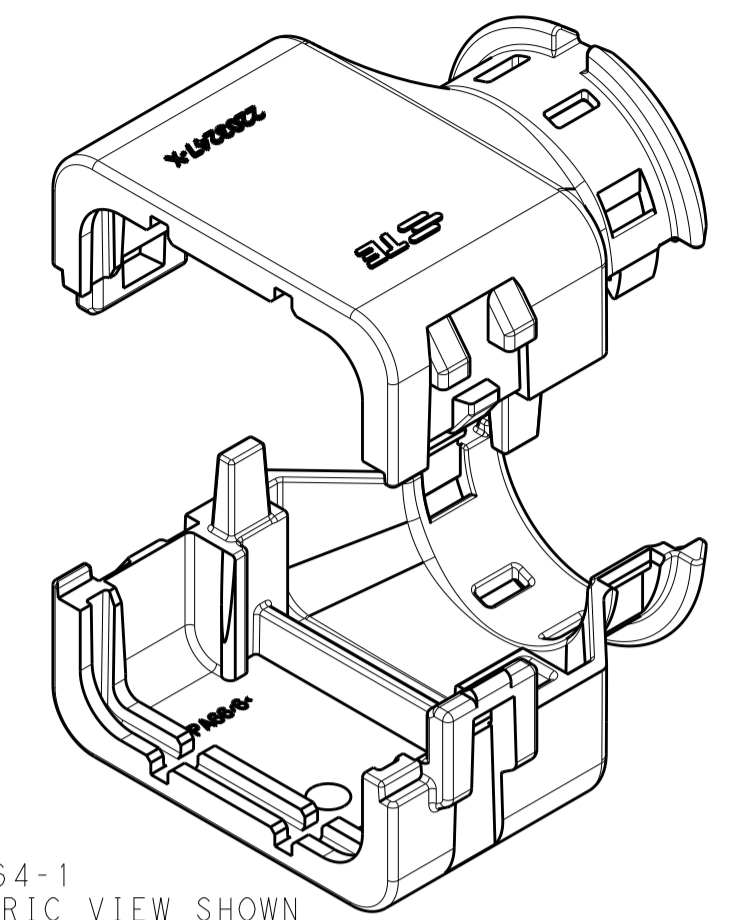


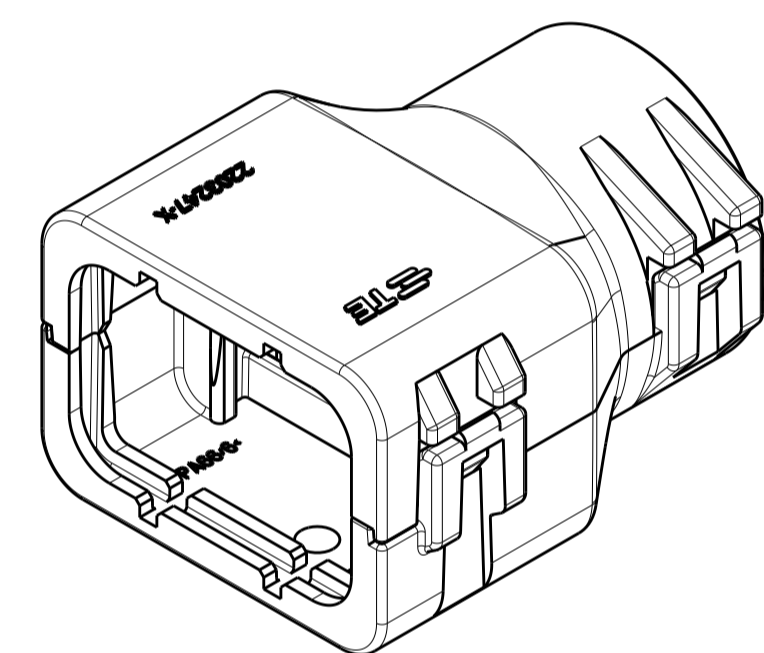
REVISIONS				
P.	LTN	DESCRIPTION	DATE	APVD
A1		REV PER ECO-16-008350	02JUN2016	JM RB
A2		REV PER ECO-16-013256	08SEP2016	JM RB



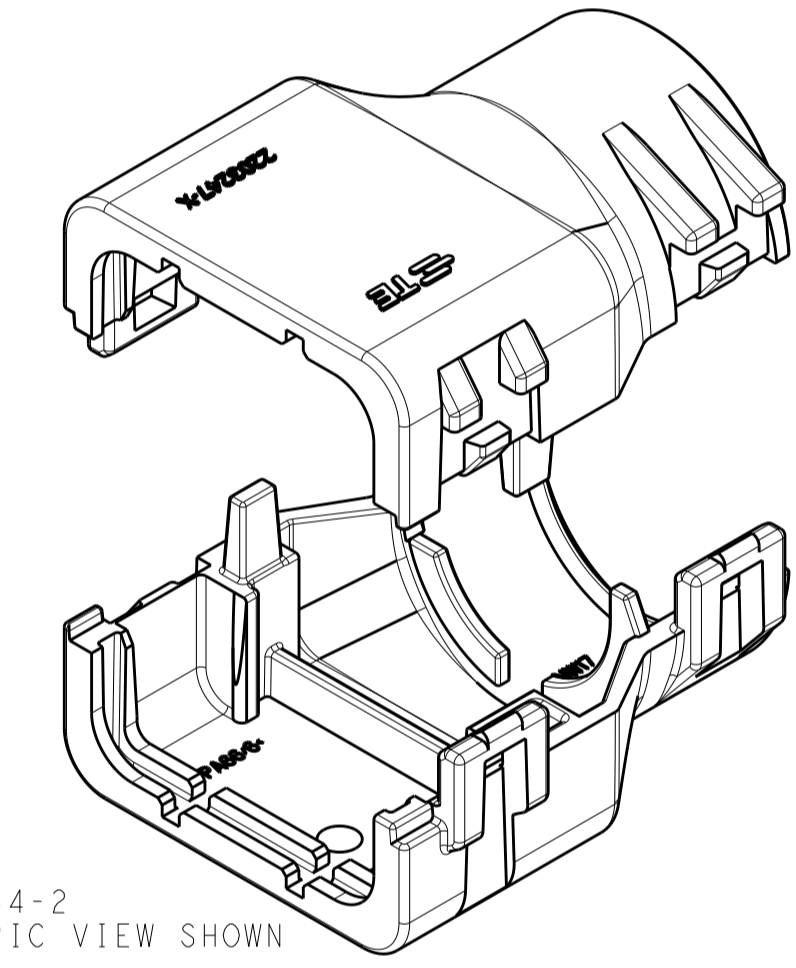
2292864-1  
ASSEMBLED ISOMETRIC VIEW SHOWN



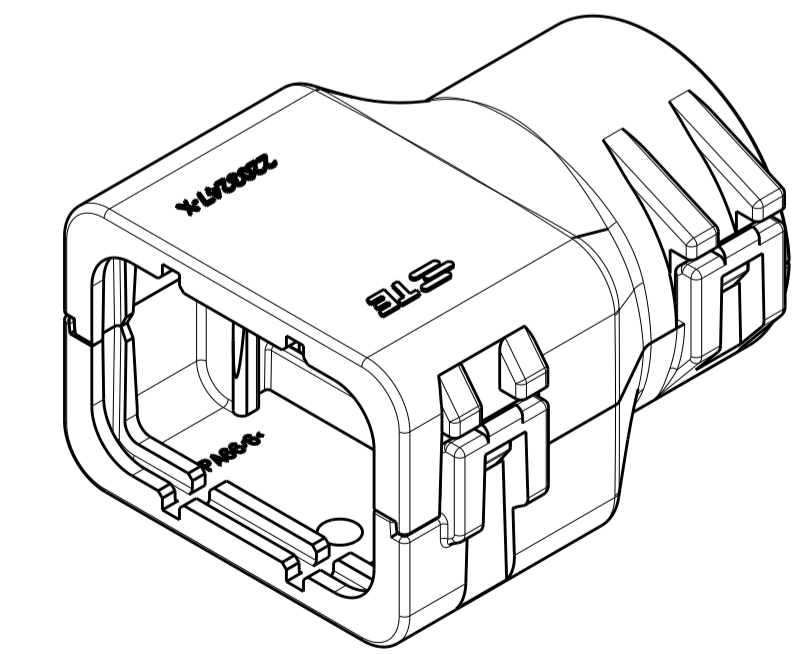
2292864-1  
EXPLODED ISOMETRIC VIEW SHOWN



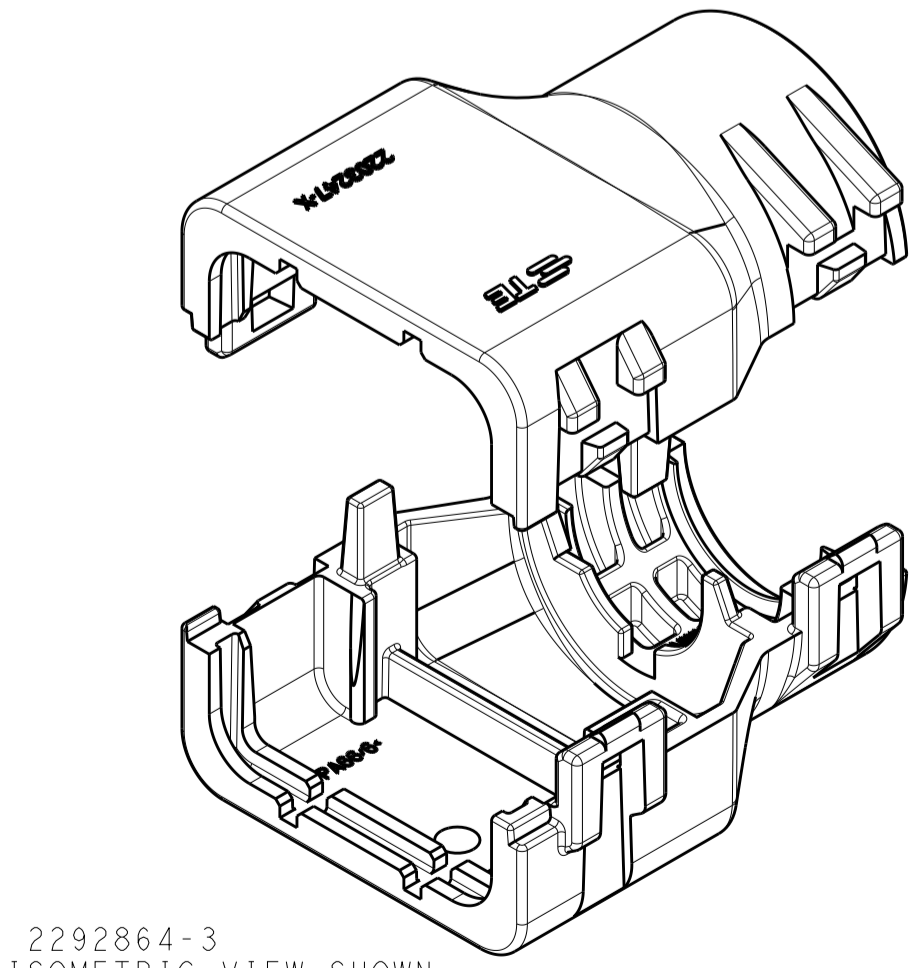
2292864-2  
ASSEMBLED ISOMETRIC VIEW SHOWN



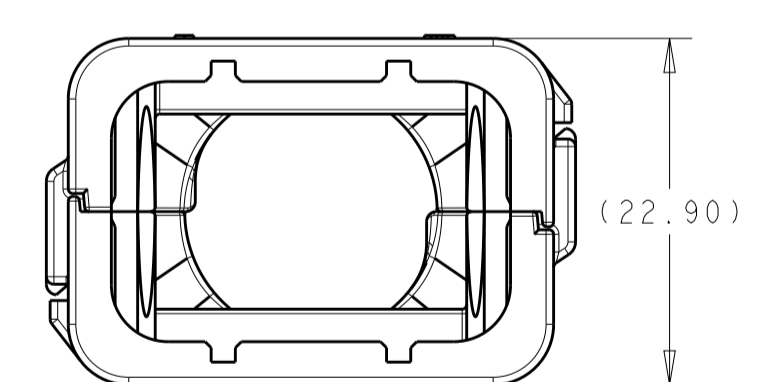
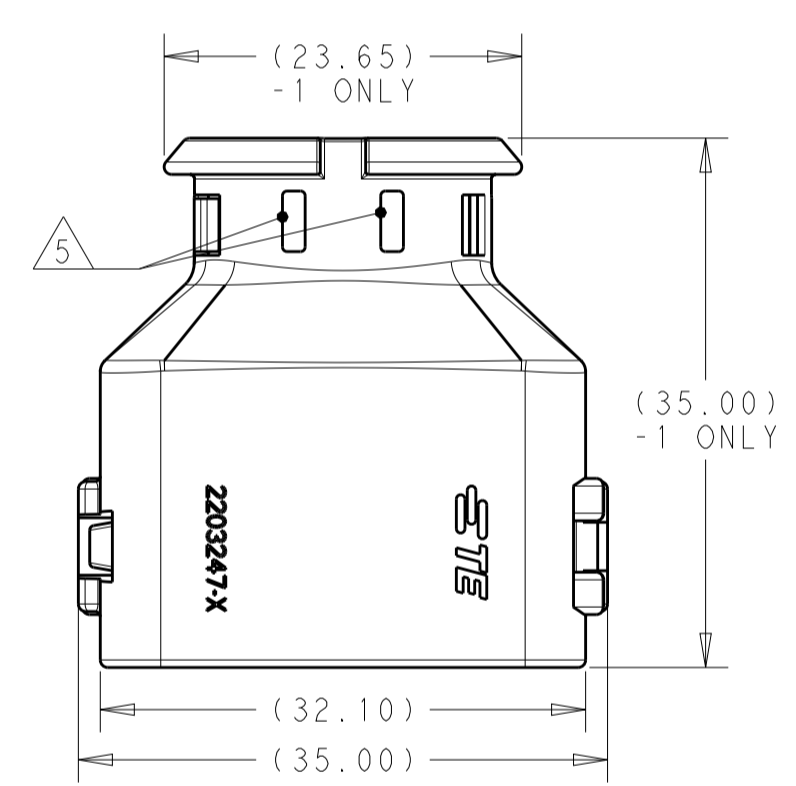
2292864-2  
EXPLODED ISOMETRIC VIEW SHOWN



2292864-3  
ASSEMBLED ISOMETRIC VIEW SHOWN

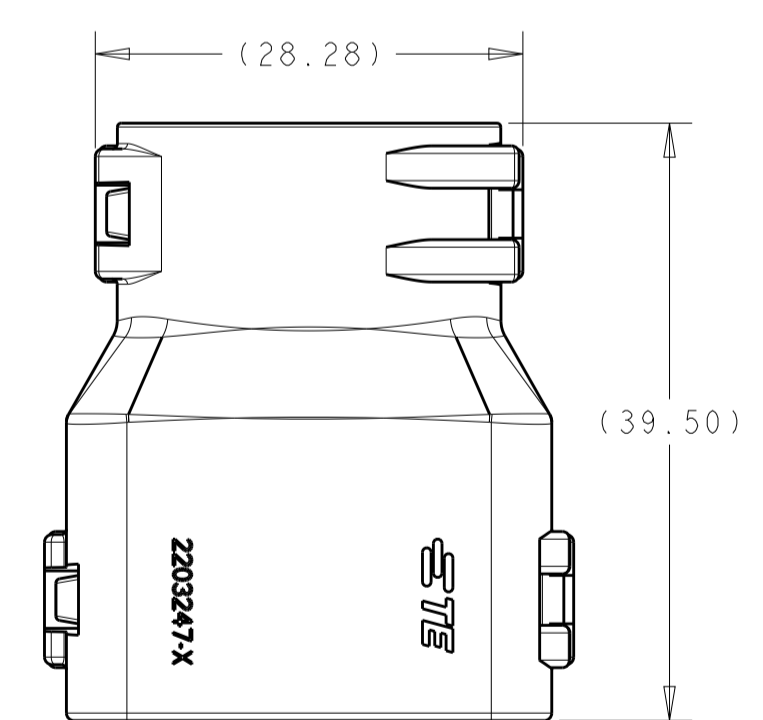
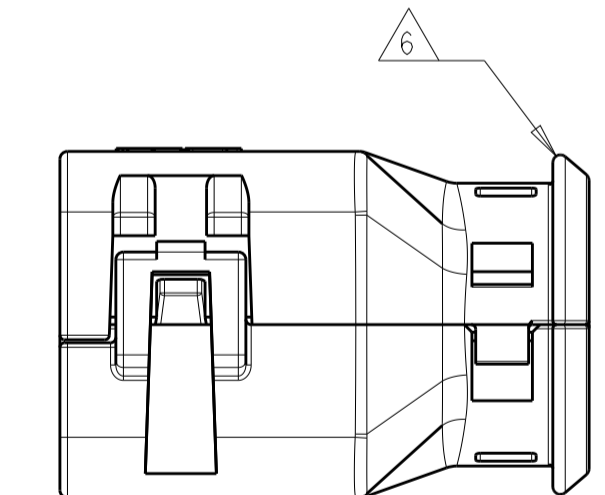


2292864-3  
EXPLODED ISOMETRIC VIEW SHOWN



2292864-1  
ASSEMBLED VIEW SHOWN

DIMENSIONS SHOWN TYPICAL FOR ALL PART NUMBERS <sup>3</sup>  
EXCEPT AS NOTED



2292864-2  
ASSEMBLED VIEW SHOWN

DIMENSIONS SHOWN TYPICAL FOR -2 AND -3 ONLY <sup>3</sup>

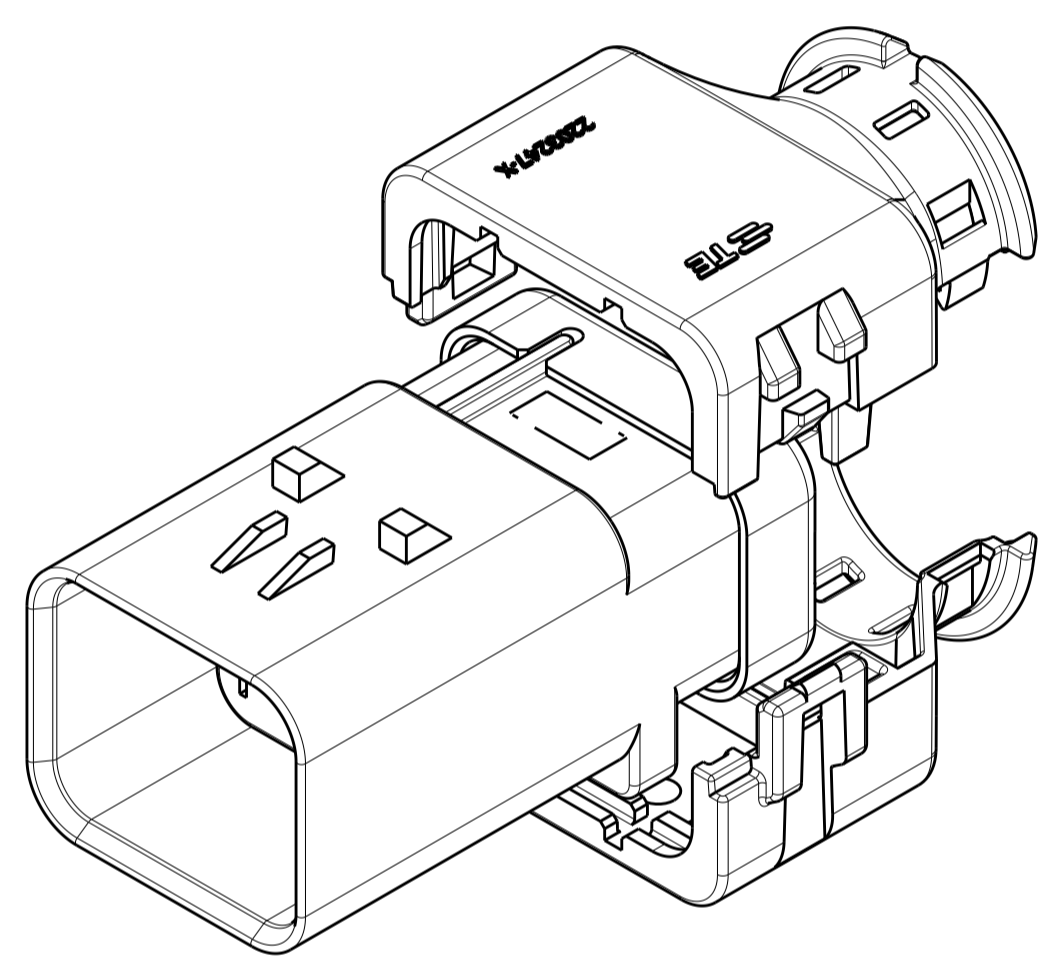
- <sup>1</sup> MATERIAL: NYLON MOLDING COMPOUND, BLACK, PA66/6.
- <sup>2</sup> BACKSHELL DESIGNED SUCH THAT TWO HALVES ATTACH TO ONE ANOTHER AND CLAMP AROUND THE CONNECTOR COVER.
- <sup>3</sup> DIMENSIONS TO BE MEASURED WHEN BACKSHELLS ASSEMBLED.
- <sup>4</sup> PRODUCT WEIGHTS:  
2292864-1: 6.30g ASSEMBLED  
2292864-2: 7.98g ASSEMBLED  
2292864-3: 9.30g ASSEMBLED
- <sup>5</sup> 4mm WIDE SLOTS FOR TIE WRAP TO SECURE HARNESS WIRES (-1 ONLY).
- <sup>6</sup> HEAT SHRINK TUBING RETENTION FEATURE (-1 ONLY).
- 7. INSTRUCTION SHEET: 408-151043.
- 8. CONDUIT PROFILE: NORMAL ONLY.


776495-X	NC16	NW13	2292864-3
776538-X	NC20	NW17	2292864-2
	SMOOTH	SMOOTH	2292864-1
FITS ON CAP ASSY	CORREGATE NC	CORREGATE NW	PART NUMBER
	CONDUIT SIZE		

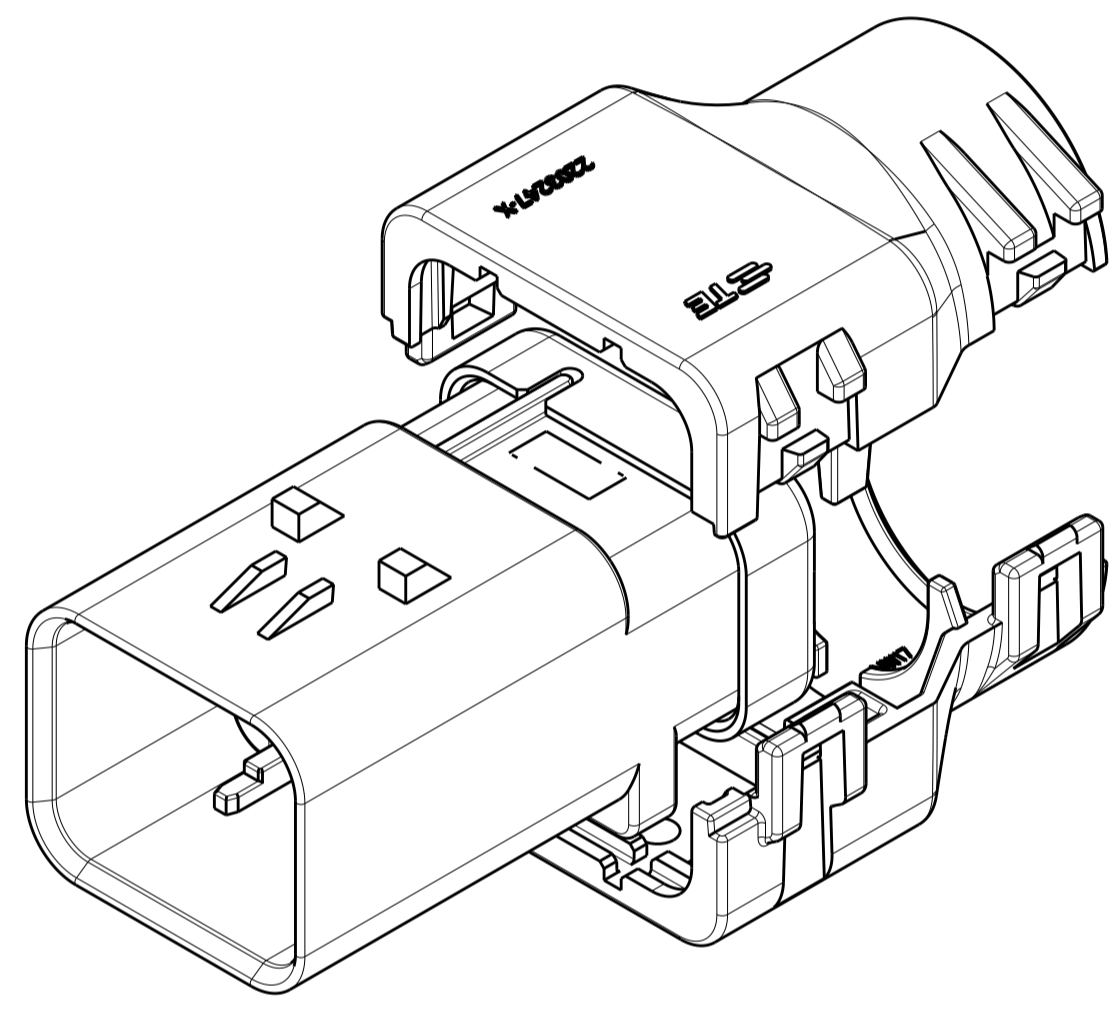
THIS DRAWING IS A CONTROLLED DOCUMENT.		DWN J MCNEAL 19JUN2015 CHK R BALTER 19JUN2015 APVD R BALTER 19JUN2015	TE Connectivity NAME BACKSHELL KIT, 8 POSITION, CAP ASSY AMPSEAL 16
DIMENSIONS: mm [INCHES]	TOLERANCES UNLESS OTHERWISE SPECIFIED: 0 PLC ± 1 PLC ± 2 PLC ± 3 PLC ± 4 PLC ± ANGLES ±	PRODUCT SPEC 108-151043 APPLICATION SPEC SIZE CAGE CODE DRAWING NO WEIGHT <sup>4</sup> A100779C=2292864 CUSTOMER DRAWING	
MATERIAL: - FINISH: -		RESTRICTED TO: - SCALE 2:1 SHEET 1 OF 2 REV A2	


THIS DRAWING IS UNPUBLISHED. RELEASED FOR PUBLICATION 20  
 COPYRIGHT 20 BY - ALL RIGHTS RESERVED.

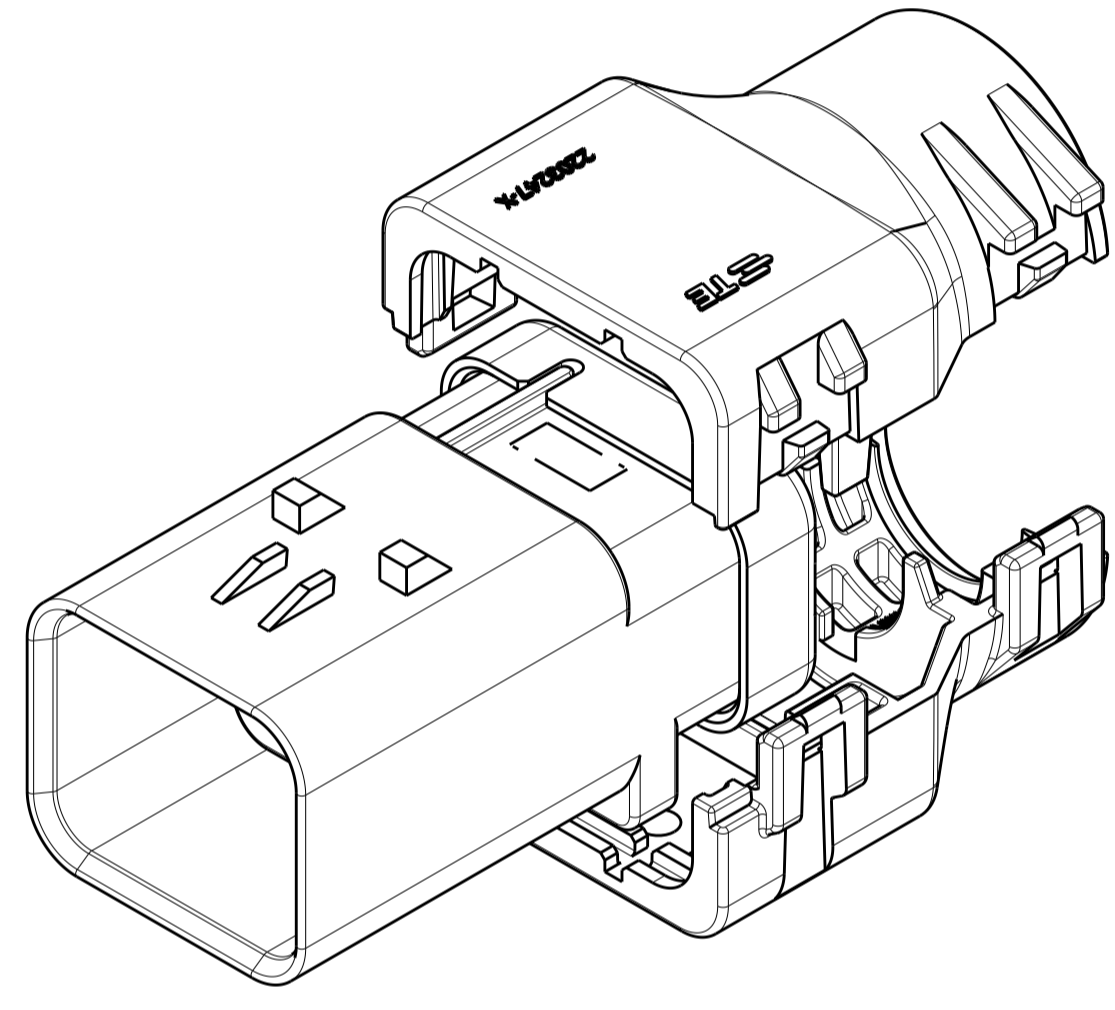
REVISIONS				
P.	LTN	DESCRIPTION	DATE	APVD
-		SEE SHEET 1	-	-





2292864-1  
 WITH CAP ASSEMBLY   
 EXPLODED ISOMETRIC VIEW SHOWN



2292864-2  
 WITH CAP ASSEMBLY   
 EXPLODED ISOMETRIC VIEW SHOWN



2292864-3  
 WITH CAP ASSEMBLY   
 EXPLODED ISOMETRIC VIEW SHOWN

THIS DRAWING IS A CONTROLLED DOCUMENT.		DWN J MCNEAL 19JUN2015 CHK R BALTER 19JUN2015 APVD R BALTER 19JUN2015	 TE Connectivity
DIMENSIONS: mm [INCHES]	TOLERANCES UNLESS OTHERWISE SPECIFIED: 0 PLC ± 1 PLC ± 2 PLC ± 3 PLC ± 4 PLC ± ANGLES ±	NAME BACKSHELL KIT, 8 POSITION, CAP ASSY AMPSEAL 16 PRODUCT SPEC 108-151043 APPLICATION SPEC	
MATERIAL - FINISH -	WEIGHT - CUSTOMER DRAWING	SIZE A1 CAGE CODE 00779 DRAWING NO C=2292864	RESTRICTED TO - SCALE 2:1 SHEET 2 OF 2 REV A2

单击下面可查看定价，库存，交付和生命周期等信息

[>>TE Connectivity\(泰科\)](#)