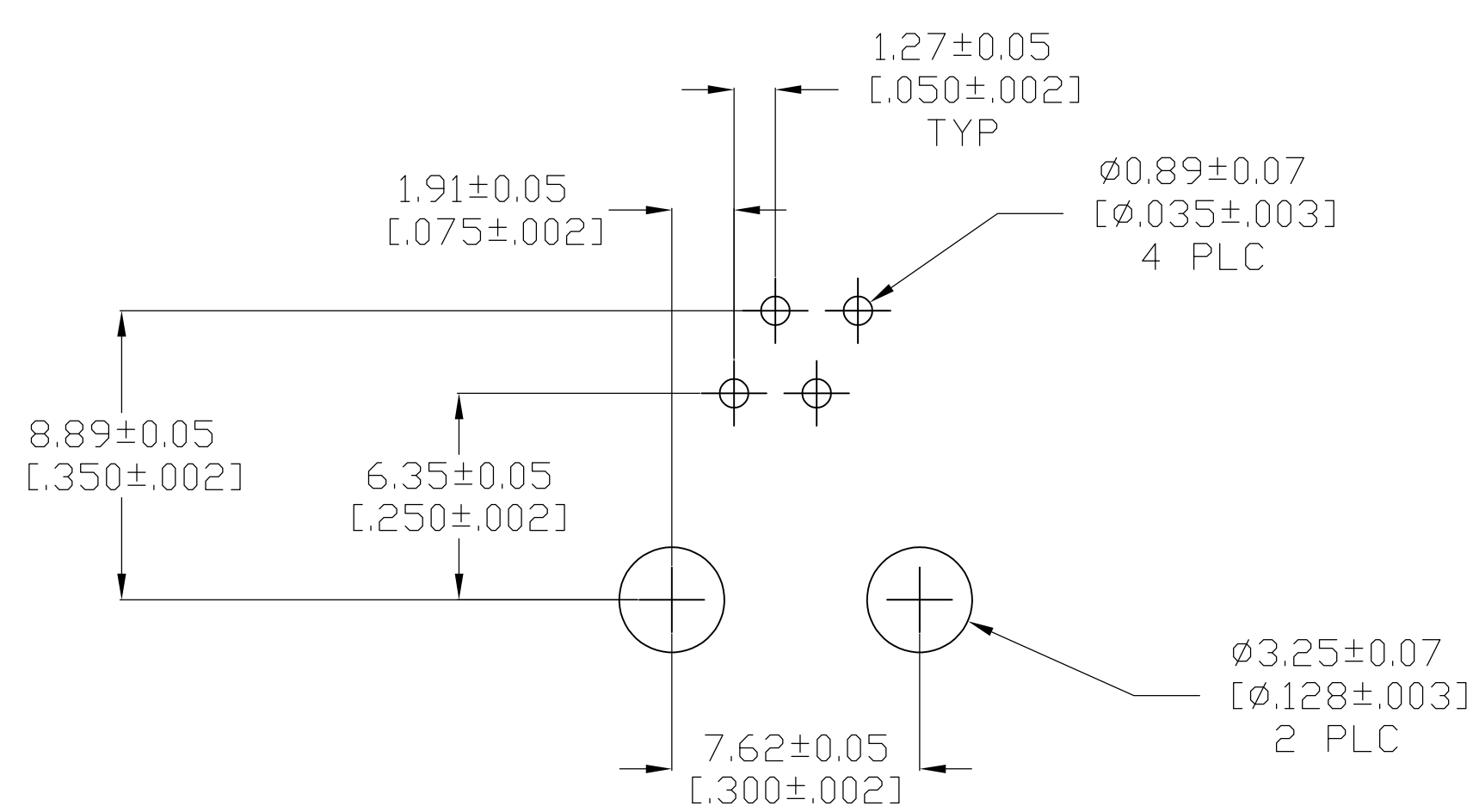
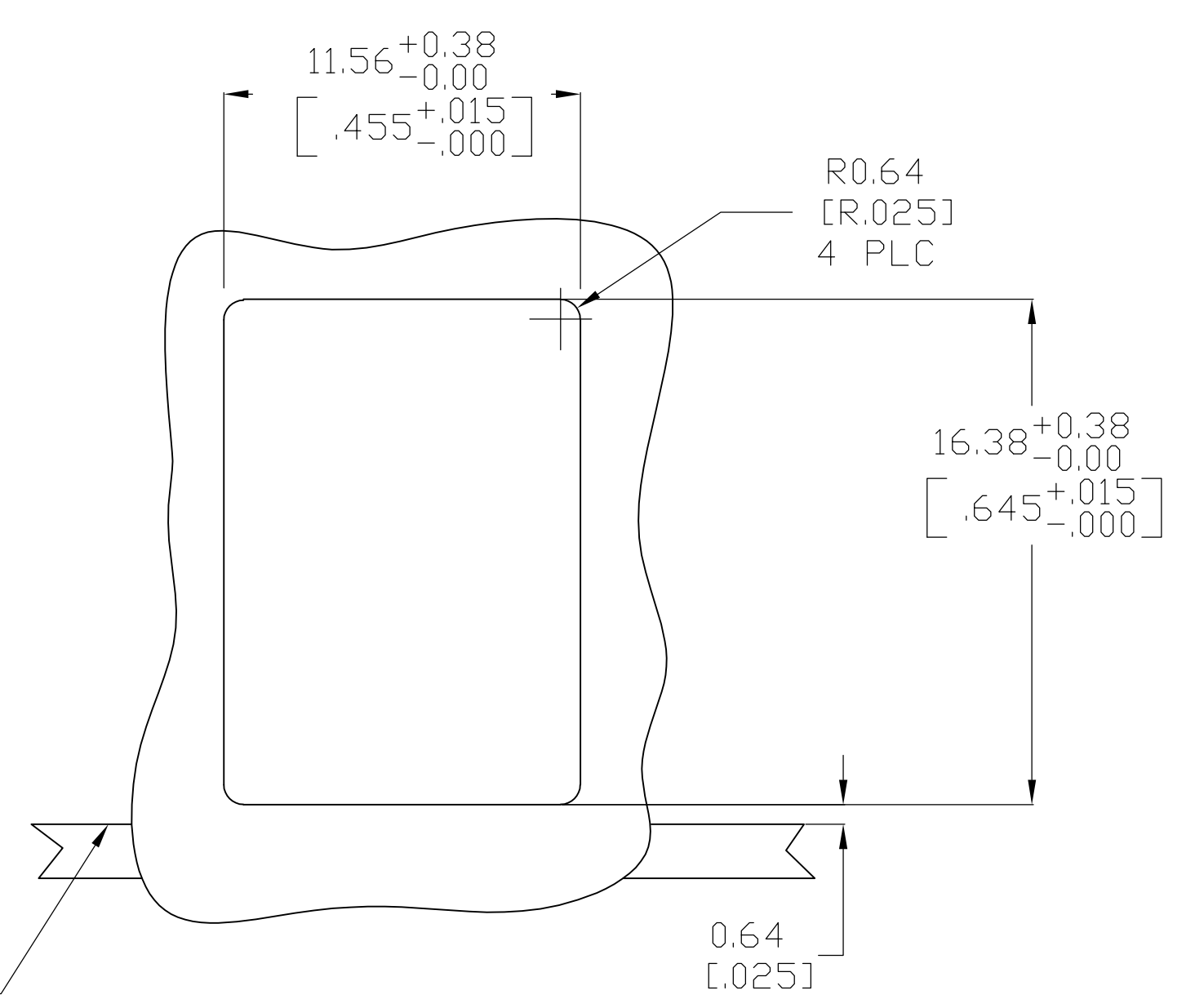


- MATERIAL:  
HOUSING - POLYESTER, UL-94-V0, COLOR: BLACK  
TERMINAL - 0.36[.014] THICK PHOS BRONZE PLATED WITH (SEE TABLE) MIN HARD GOLD IN LOCALIZED GOLD PLATE AREA AND 3.81µm[.000150] MIN THICK MATTE TIN IN SOLDER AREA OVER 1.27µm[.000050] MIN THICK NICKEL UNDERPLATE

△ CAVITY CONFORMS TO FCC RULES AND REGULATIONS PART 68 AND REA BULLETIN 345-81 PE 76 SPECIFICATION FOR MODULAR TELEPHONE HARDWARE.

3. DIMENSIONS ARE MAXIMUM UNLESS OTHERWISE SPECIFIED.

△ 0.15µm[.000006] GOLD PLATED PARTS DO NOT MEET THE MINIMUM GOLD THICKNESS REQUIREMENT OF FCC SPECIFICATION, PART 68. PARTS HAVE NOT BEEN TESTED TO THE DURABILITY REQUIREMENTS OF TE CONNECTIVITY PRODUCT SPEC 108-1163



RECOMMENDED PANEL CUTOUT

RECOMMENDED PRINTED CIRCUIT BOARD LAYOUT COMPONENT SIDE

OBSELETE	△ 0.15µm[.000006]	2-5520249-2
	1.27µm[.000050]	5520249-2
	GOLD THICKNESS	PART NUMBER

THIS DRAWING IS A CONTROLLED DOCUMENT. DIMENSIONING AND TOLERANCING PER ASME Y14.5M-2009		DIN J. ALCORTA - 17JUN2005 CHK S. FLICKINGER 17JUN2005	TE Connectivity	
DIMENSIONS: mm [INCHES]		APVD S. FLICKINGER 17JUN2005	NAME	
TOLERANCES UNLESS OTHERWISE SPECIFIED: 0 PLC ± - 1 PLC ± - 2 PLC ± - 3 PLC ± 0.13[.005] 4 PLC ± - ANGLES ± -		PRODUCT SPEC 108-1163		
MATERIAL SEE NOTE 1		APPLICATION SPEC 114-2048		RESTRICTED TO
FINISH SEE NOTE 1		WEIGHT		SCALE 5:1 SHEET 1 OF 1 REV D2
CUSTOMER DRAWING		A1 00779 C=5520249		

单击下面可查看定价，库存，交付和生命周期等信息

[>>TE Connectivity\(泰科\)](#)