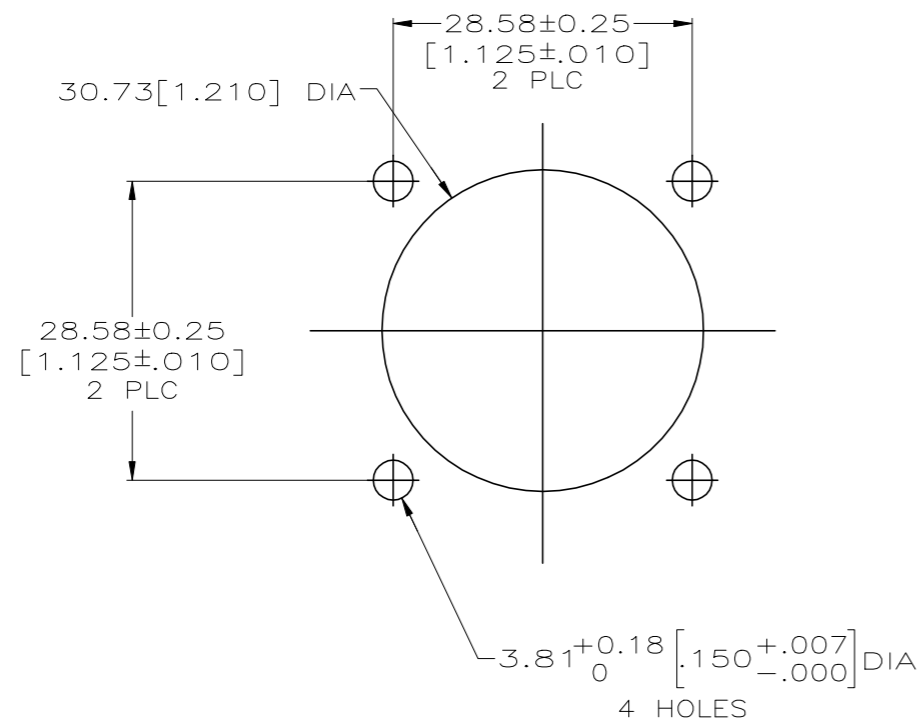
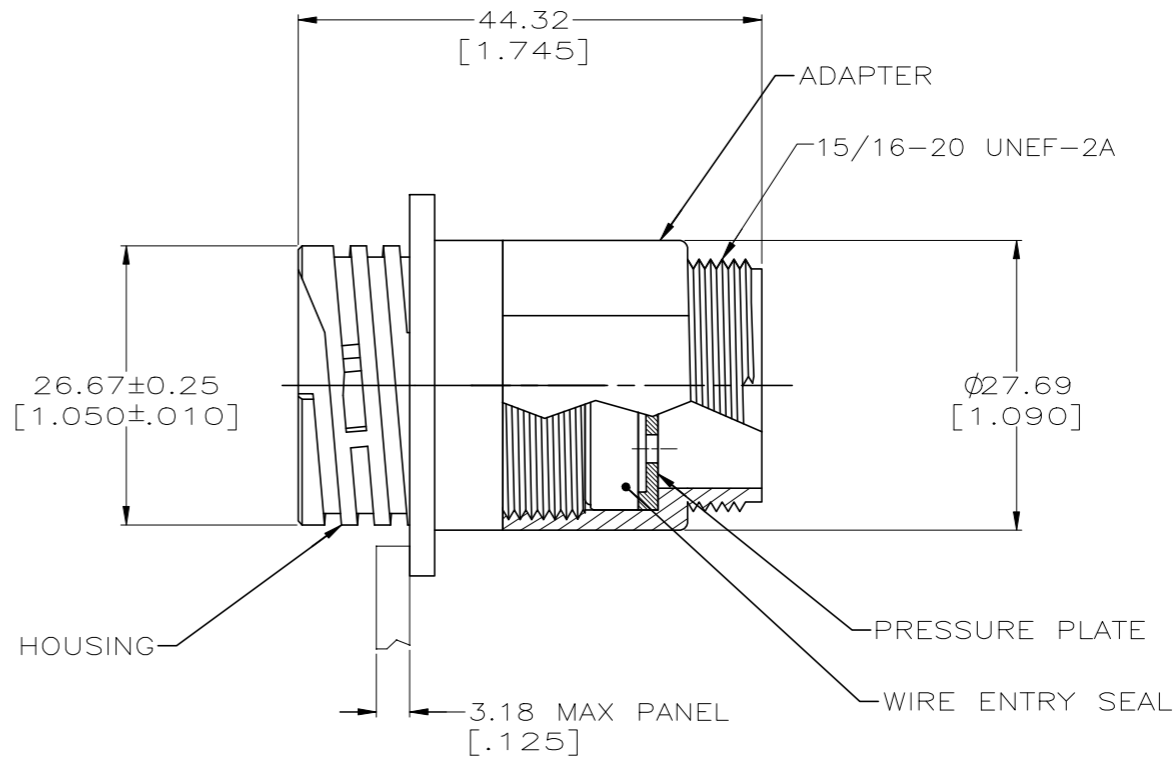
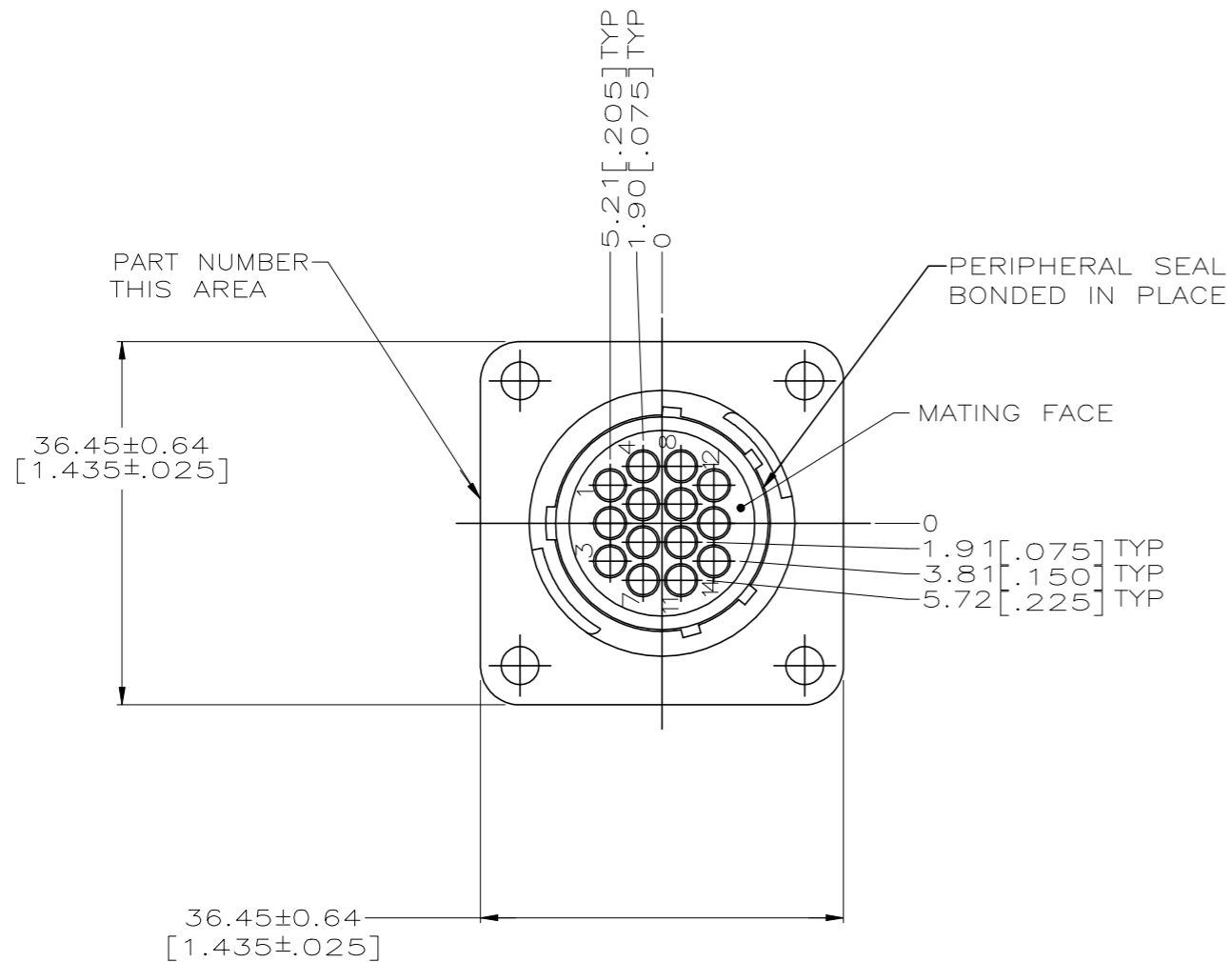


THIS DRAWING IS UNPUBLISHED. RELEASED FOR PUBLICATION
 © COPYRIGHT - By - ALL RIGHTS RESERVED.

REVISIONS				
P	LTR	DESCRIPTION	DATE	APVD
B1		REVISED PER ECO-11-005027	11MAR11	RK HMR
C		REVISED PER ECO-19-011232	06AUG2019	RS MZ

1 HOUSING, ADAPTER AND PRESSURE PLATE: NYLON, BLACK.
 WIRE ENTRY SEAL: ELASTOMER, RED-IRON OXIDE.
 PERIPHERAL SEAL: ELASTOMER, BLACK.

2. CONNECTOR WILL ACCEPT (14) MULTIMATE SOCKET CONTACTS.



RECOMMENDED PANEL CUTOUT

796272-1
 PART NUMBER

THIS DRAWING IS A CONTROLLED DOCUMENT.		DWN L. McEACHIN 27-JAN-2000	 TE Connectivity	NAME		
DIMENSIONS: mm [INCHES]		CHK K. DOWHOWER 27-JAN-2000		ASSEMBLY, RECEPTACLE, REVERSE SEX 17-14, SQUARE FLANGE, SEALED		
TOLERANCES UNLESS OTHERWISE SPECIFIED:		APVD K. DOWHOWER 27-JAN-2000		SIZE	CAGE CODE	DRAWING NO
0 PLC ± -		PRODUCT SPEC		A2	00779	C=796272
1 PLC ± -		APPLICATION SPEC	WEIGHT	RESTRICTED TO		
2 PLC ± -		FINISH	CUSTOMER DRAWING		SCALE 2:1	
3 PLC ± -			SHEET 1 of 1		REV C	
4 PLC ± -						
ANGLES ± -						

单击下面可查看定价，库存，交付和生命周期等信息

[>>TE Connectivity\(泰科\)](#)