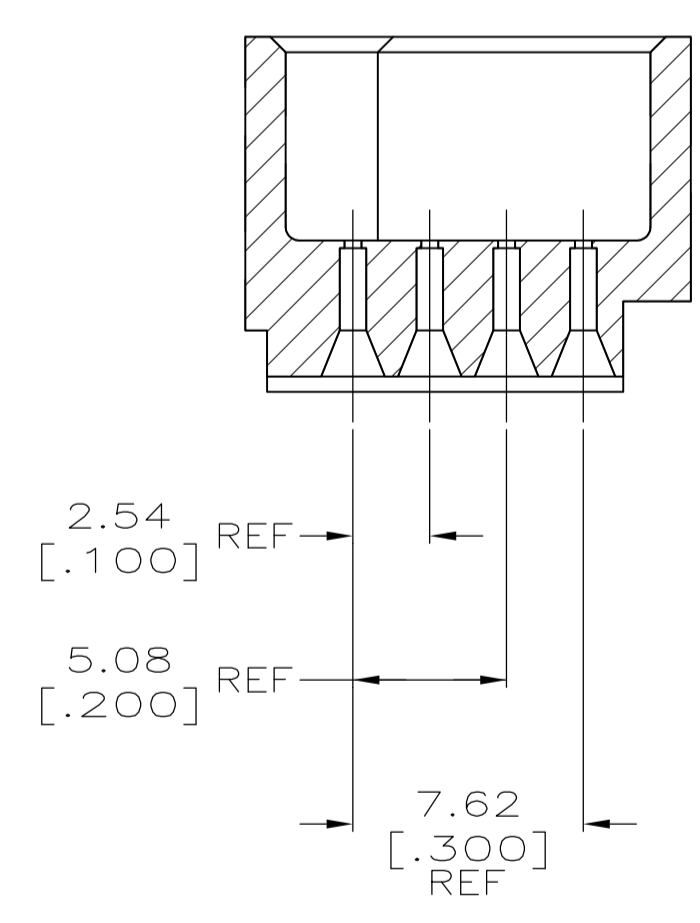
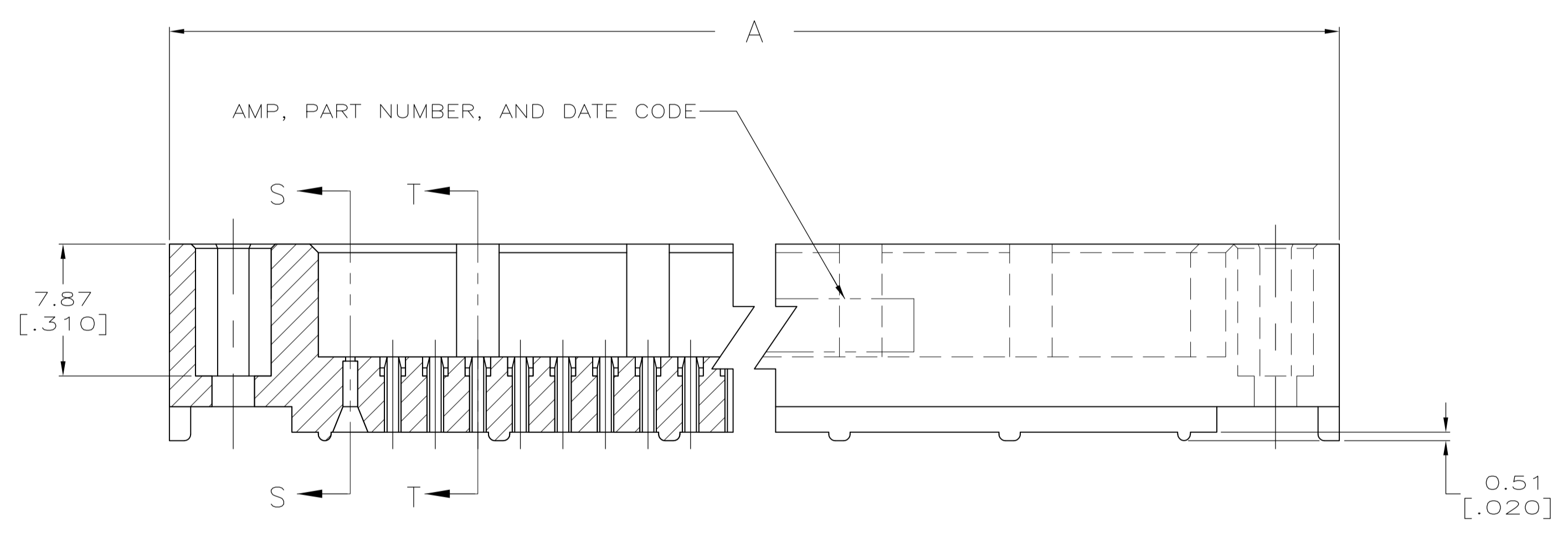
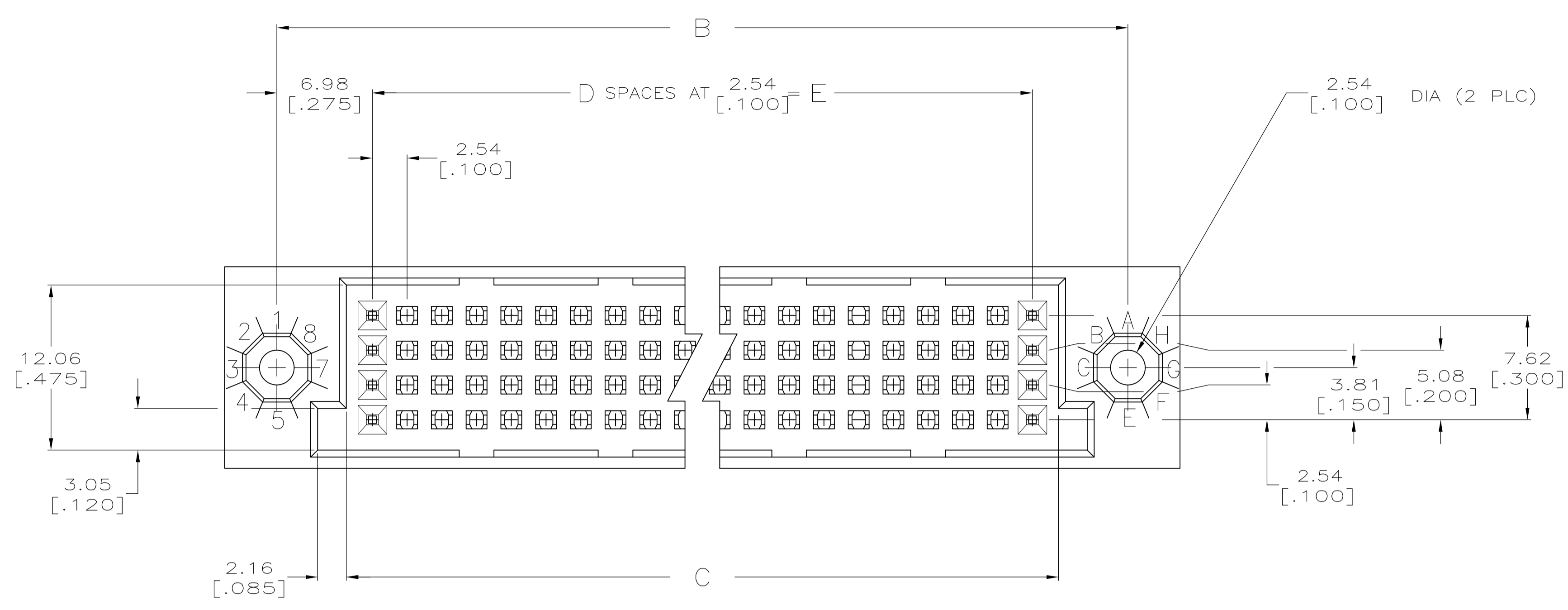
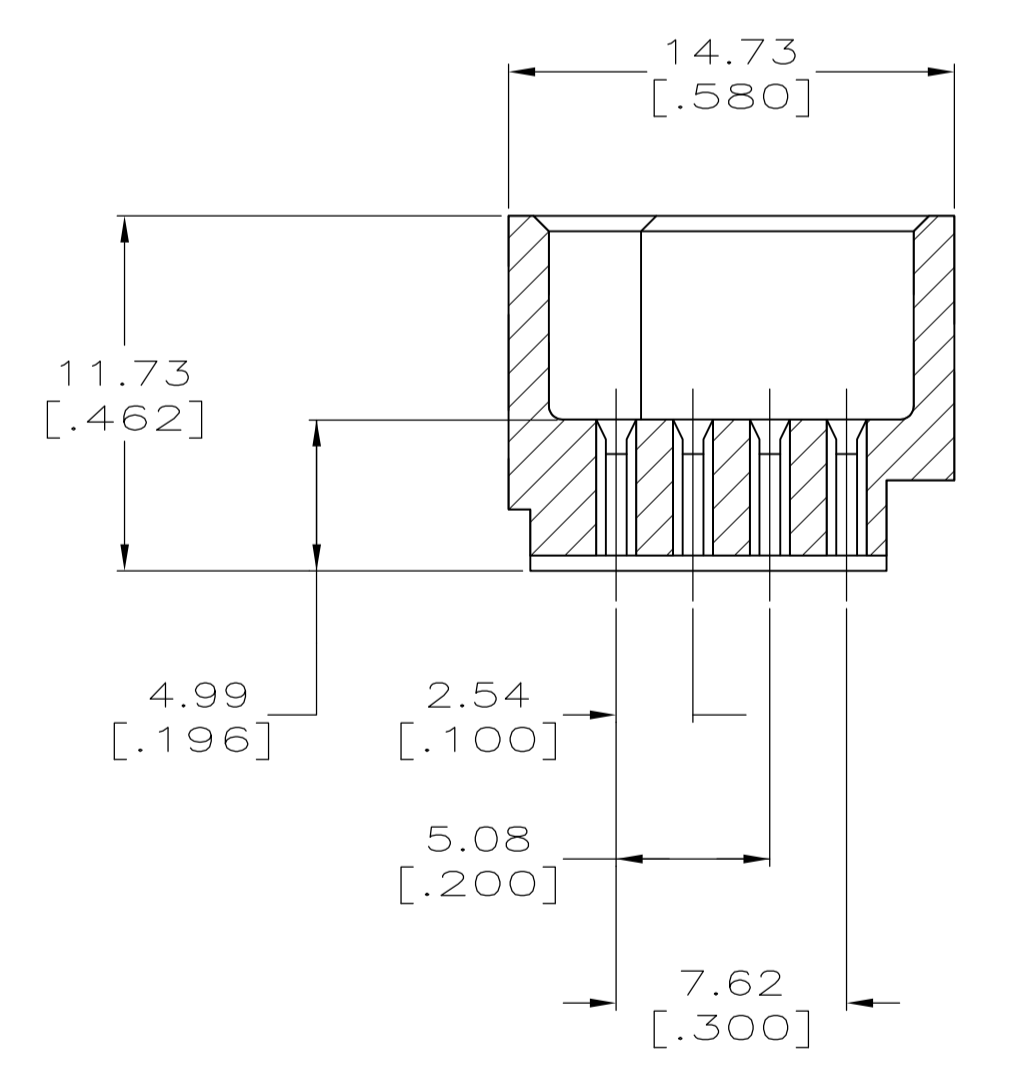


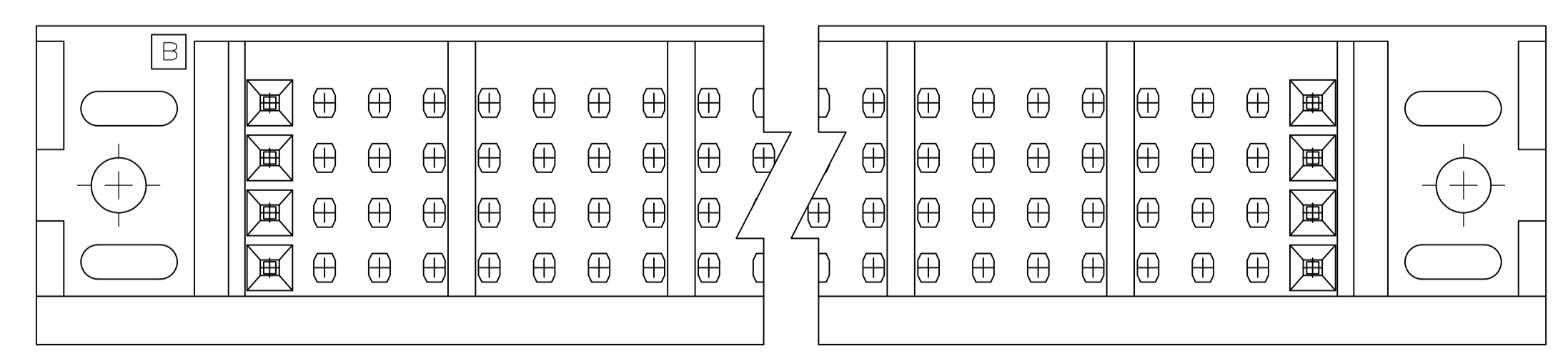
LOC		DIST		REVISIONS			
P	LTR	DESCRIPTION	DATE	DNW	APVD		
R		REVISED PER ECN 0512-0287-05	15MAY06	JDP	AMS		
R1		REVISED PER ECO-09-021510	12SEP09	KK	AEG		



SECTION S-S



SECTION T-T



THIS DRAWING IS A CONTROLLED DOCUMENT.

DIMENSIONS: mm [INCHES]	TOLERANCES UNLESS OTHERWISE SPECIFIED: 0 PLC ± - 1 PLC ± - 2 PLC ± - 3 PLC ± 0.13 [0.005] 4 PLC ± - ANGLES ± -	DIN R.K. SEIFRIED 04/24/90 CHK G. SKIPPER 9-17-93 APVD G. SKIPPER 9-17-93 PRODUCT SPEC APPLICATION SPEC WEIGHT	tyco Electronics Tyco Electronics Corporation Harrisburg, PA 17105-3608 NAME HDI, 4 ROW, PIN SHROUD SIZE A1 CAGE CODE 00779 DRAWING NO 533562 RESTRICTED TO
MATERIAL 1	FINISH	CUSTOMER DRAWING	SCALE 4:1 SHEET 1 OF 2 REV R1

- ① HOUSING MATERIAL: THERMOPLASTIC, COLOR-NATURAL.
- 2. DIMENSIONS IN BRACKETS ARE IN INCHES.
- ③ PART NUMBER IS OBSOLETE.
- ④ OBSOLETE PARTS: OBSOLETE CIS STREAMLINING PER D.RENAUD/D.SINISI

③	200.66 [7.900]	79	204.47 [8.050]	214.63 [8.450]	222.25 [8.750]	320	2-533562-6
④ OBSOLETE	187.96 [7.400]	74	191.77 [7.550]	201.93 [7.950]	209.55 [8.250]	300	1-533562-2
③	175.26 [6.900]	69	179.07 [7.050]	189.23 [7.450]	196.85 [7.750]	280	1-533562-1
③	162.56 [6.400]	64	166.37 [6.550]	176.53 [6.950]	184.15 [7.250]	260	1-533562-0
③	149.86 [5.900]	59	153.67 [6.050]	163.83 [6.450]	171.45 [6.750]	240	533562-9
③	137.16 [5.400]	54	140.97 [5.550]	151.13 [5.950]	158.75 [6.250]	220	533562-8
③	124.46 [4.900]	49	128.27 [5.050]	138.43 [5.450]	146.05 [5.750]	200	533562-7
③	111.76 [4.400]	44	115.57 [4.550]	125.73 [4.950]	133.35 [5.250]	180	533562-6
	99.06 [3.900]	39	102.87 [4.050]	113.03 [4.450]	120.65 [4.750]	160	533562-5
③	86.36 [3.400]	34	90.17 [3.550]	100.33 [3.950]	107.95 [4.250]	140	533562-4
③	78.74 [3.100]	31	82.55 [3.250]	92.71 [3.650]	100.33 [3.950]	128	533562-3
④ OBSOLETE	73.66 [2.900]	29	77.47 [3.050]	87.63 [3.450]	95.25 [3.750]	120	533562-2
③	60.96 [2.400]	24	64.77 [2.550]	74.93 [2.950]	82.55 [3.250]	100	533562-1
	E	D	C	B	A	POSN	PART NO.

THIS DRAWING IS A CONTROLLED DOCUMENT.		DIN R. K. SEIFRIED 04/24/90		Tyco Electronics Corporation	
DIMENSIONS: mm [INCHES]		CHK G. SKIPPER 9-17-93		Harrisburg, PA 17105-3608	
TOLERANCES UNLESS OTHERWISE SPECIFIED:		APVO G. SKIPPER 9-17-93		NAME HDI, 4 ROW, PIN SHROUD	
0 PLC ± -	1 PLC ± -	PRODUCT SPEC		SIZE CAGE CODE DRAWING NO	
2 PLC ± -	3 PLC ± 0.13 [.005]	APPLICATION SPEC		RESTRICTED TO	
4 PLC ± -	ANGLES ± -	WEIGHT		A1 00779 533562	
MATERIAL ①	FINISH -	CUSTOMER DRAWING		SCALE 4:1 SHEET 2 OF 2 REV 1	

单击下面可查看定价，库存，交付和生命周期等信息

[>>TE Connectivity\(泰科\)](#)