



## Introducing Board-to-Board Screw Down Jumper Assembly

 **Tyco Electronics**  
Our commitment. Your advantage.

# Board-to-Board Screw Down Jumper Assembly

## KEY FEATURES

- 2 position connection assembly
- Connector assembly attachment to adjacent printed circuit board via screw to heat sink fully seats electrical contacts against printed circuit board pads
- Connector assembly fits onto 16.50 mm [.650] wide printed circuit board
- 7.0mm [.276] printed circuit board spacing
- Registration features in connector assembly align with printed circuit board cutouts
- #6 screw (not included) used to secure connector assembly to tapped hole in heat sink or base
- #6 screw should be zinc plated or have equivalent protective coating to prevent corrosion
- Customer supplied #6 screw
- Tube packaged assemblies
- RoHS compliant

## DESCRIPTIONS

The board-to-board, screw down jumper assembly provides the electrical connection between two adjacent printed circuit boards in a string of printed circuit boards.

## APPLICATIONS

T8-T12 fluorescent retrofit LED bulbs  
LED lighting strips  
LED lighting controls  
Channel lettering

## ELECTRICAL

Operating Current : 5 AMPS  
Operating Voltage : 250VAC/250VDC  
Dielectric Withstanding Voltage : 1500 VAC

## MATERIALS

Contacts : Tin plated copper alloy  
Housing : UL 94 V0 Thermoplastic  
ETL Recognized, File No. 3178692CRT-001 to UL (1977)

## MECHANICAL

Operating Temperature : -40°C to 105°C  
Mating Cycles : 10  
Screw down torques : 0.11 Nm [0.97 Lb-In] max

## STANDARDS AND SPECS

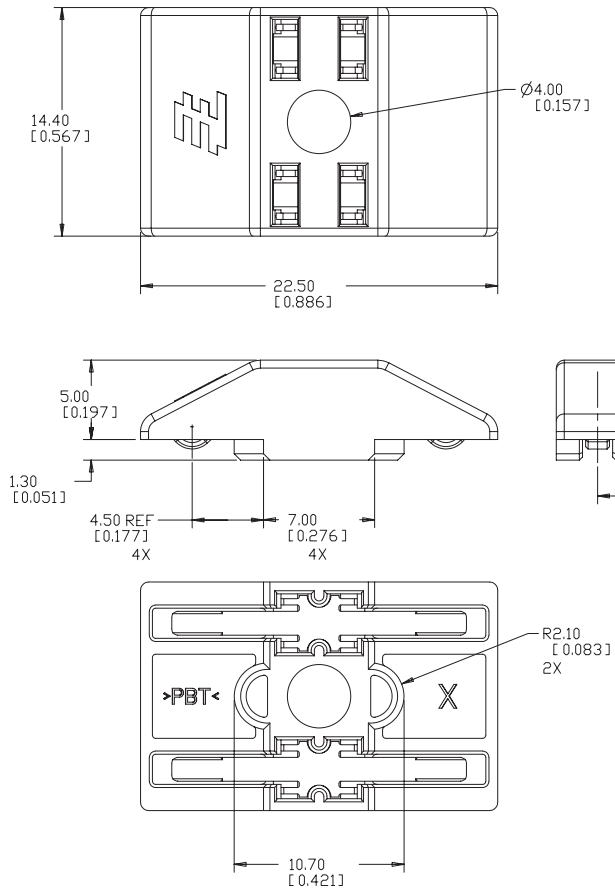
**114-13260** : Screw Down Jumper Assembly Application Specification  
**108-2392** : Screw Down Jumper Assembly Product Specification

## PRODUCT OFFERING

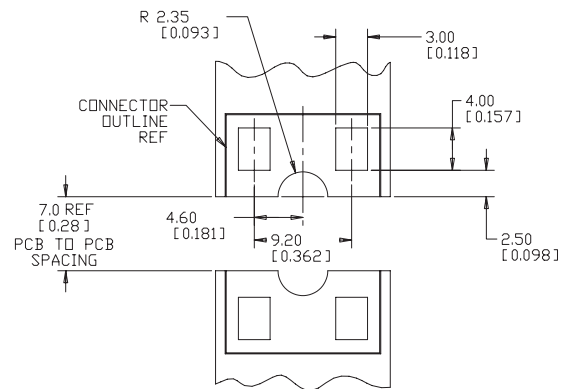
**2106154-1** : Screw Down Jumper Assembly

# Board-to-Board Screw Down Jumper Assembly

## PRODUCT DIMENSIONS



### Recommended PC Board Layout



## FOR MORE INFORMATION

[www.tycoelectronics.com/lighting](http://www.tycoelectronics.com/lighting)

### Technical Support

Internet:	<a href="http://www.tycoelectronics.com/help">www.tycoelectronics.com/help</a>
USA:	+1 (800) 522-6752
Canada:	+1 (905) 470-4425
Mexico & Central America:	+ 52(0) 55-1106-0814
South America:	+55 (0) 11-2103-6000
Germany:	+49 (0) 6251-133-1999
UK:	+ 44 (0) 8706-080208
France:	+33 (0) 1-3420-8686
Netherlands:	+31 (0) 73-6246-999
China:	+86 (0) 400-820-6015

Part numbers in this brochure are RoHS Compliant\*, unless marked otherwise.

\*as defined [www.tycoelectronics.com/leadfree](http://www.tycoelectronics.com/leadfree)

### Tyco Electronics Corporation

Harrisburg, PA

[tycoelectronics.com](http://tycoelectronics.com)

©2009 Tyco Electronics Corporation All Rights Reserved.

5-1773455-2 3M CGX 12/2009

TE (logo) and Tyco Electronics are trademarks of the Tyco Electronics group of companies and its licensors.

Other products, logos, and Company names mentioned herein may be trademarks of their respective owners.

While Tyco Electronics has made every reasonable effort to ensure the accuracy of the information in this catalog, Tyco Electronics does not guarantee that it is error-free, nor does Tyco Electronics make any other representation, warranty or guarantee that the information is accurate, correct, reliable or current. Tyco Electronics reserves the right to make any adjustments to the information contained herein at any time without notice. Tyco Electronics expressly disclaims all implied warranties regarding the information contained herein, including, but not limited to, any implied warranties of merchantability or fitness for a particular purpose. The dimensions in this catalog are for reference purposes only and are subject to change without notice. Specifications are subject to change without notice. Consult Tyco Electronics for the latest dimensions and design specifications.



**Tyco Electronics**  
Our commitment. Your advantage.

单击下面可查看定价，库存，交付和生命周期等信息

[>>TE Connectivity\(泰科\)](#)