

CODE 21 - HEAT SHRINK BOOT BACKSHELL

203M916-19B-D

SERIES _____
 SHELL SIZE (TABLE 1) _____
 MATERIAL _____
 REFER TO CH00-0250-004
 FINISH _____
 REFER TO CH00-0250-004
 MODIFICATION CODE _____
 REFER TO CH00-0250-004 (2)

NOTES:

1. THIS PRODUCT IS DESIGNED TO TERMINATE A HEAT SHRINKABLE LIPPED BOOT TO A CONNECTOR.
- (2) FOR ADDITIONAL DIMENSIONS, ORDERING INFORMATION AND MODIFICATIONS, SEE CH00-0250-004.
3. BACKSHELL TO BE PERMANENTLY MARKED/BAGGED AND LABELLED WITH CODE IDENTIFICATION NUMBER AND PART NUMBER. (e.g. 06090-203M912-19B).
4. KNURL INSIDE BOOT GROOVE MAY BE SUPPLIED AT MANUFACTURER'S OPTION.
- (5) BACKSHELL MATES TO MIL-C-26482 SERIES I, CLASS E, F, MS3110, MS3111 AND MS3116 CONNECTORS.
- (6) ANTI-ROTATIONAL SET SCREW, THREE #4-40 THREADED HOLES 120° APART, SINGLE MATING SET SCREW SUPPLIED.

DRAWN	W.RUST	DATE 08/09/2015	 3RD ANGLE PROJECTION NOT TO SCALE
CHECKED		08/09/2015	
APPROVED	K.SHEPPARD	08/09/2015	
APPROVED	H.SMITH	01/10/2015	
REVISIONS			
LTR	DESCRIPTION	DATE	APPROVED
K	REVISED PER ECO-15-013980	01/10/15	H.SMITH
L	REVISED PER ECO-18-008680	06/04/18	O. CANO

TITLE:
 HEAT SHRINK BOOT BACKSHELL

ASSY USED ON:
 MIL-DTL-26482 SERIES I



TE CAGE CODE: 06090
 POLAMCO/TE CAGE CODE: U5792

TE CONNECTIVITY - POLAMCO LTD RESERVES THE RIGHT TO AMEND THIS DRAWING AND THE INFORMATION THEREON WITHOUT NOTICE. SHOULD YOU REQUIRE ANY CHANGES, PLEASE CONTACT YOUR ACCOUNT MANAGER.
 Downloaded From Oneyac.com

DRAWING NO: 203M9XX	DRAWING REV: L	SHT 1
-------------------------------	--------------------------	-----------------

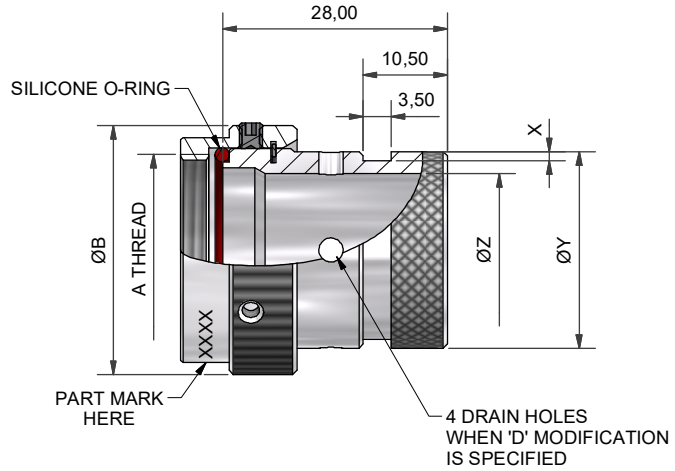
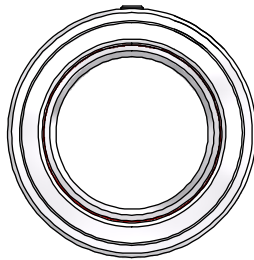
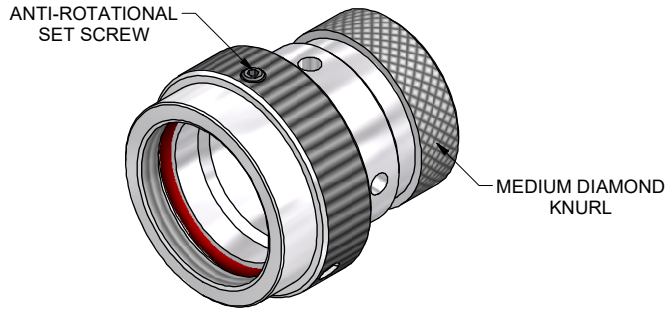


TABLE 1

BASE PART NUMBER	SHELL SIZE (5)	A THREAD	ØB MAX	X +0,20/-0,00	ØZ	ØY MAX
203M908	08	7/16-28UNEF	18,05	1,12	7,15	13,50
203M910	10	9/16-24UNEF	21,55	1,12	9,80	15,50
203M912	12	11/16-24UNEF	24,65	1,12	13,50	19,50
203M914	14	13/16-20UNEF	27,65	1,12	15,90	21,50
203M916	16	15/16-20UNEF	31,05	1,12	19,00	24,50
203M918	18	1 1/16-18UNEF	34,35	1,12	21,40	26,50
203M920	20	1 3/16-18UNEF	37,55	1,75	24,60	31,00
203M922	22	1 5/16-18UNEF	40,55	1,75	27,80	34,50
203M924	24	1 7/16-18UNEF	43,55	1,75	31,00	36,50

DRAWN	W.RUST	DATE 08/09/2015	 3RD ANGLE PROJECTION NOT TO SCALE UNLESS OTHERWISE SPECIFIED ALL DIMENSIONS IN MILLIMETRES GENERAL TOL LINEAR +/-0,25MM ANGULAR +/- 1°
CHECKED		08/09/2015	
APPROVED	K.SHEPPARD	08/09/2015	
APPROVED	H.SMITH	01/10/2015	

TITLE:
HEAT SHRINK BOOT BACKSHELL

ASSY USED ON:
MIL-DTL-26482 SERIES I



REVISIONS			
LTR	DESCRIPTION	DATE	APPROVED
K	REVISED PER ECO-15-013980	01/10/15	H.SMITH
L	REVISED PER ECO-18-008680	06/04/18	O. CANO

TE CAGE CODE: 06090
POLAMCO/TE CAGE CODE: U5792

单击下面可查看定价，库存，交付和生命周期等信息

[>>TE Connectivity\(泰科\)](#)