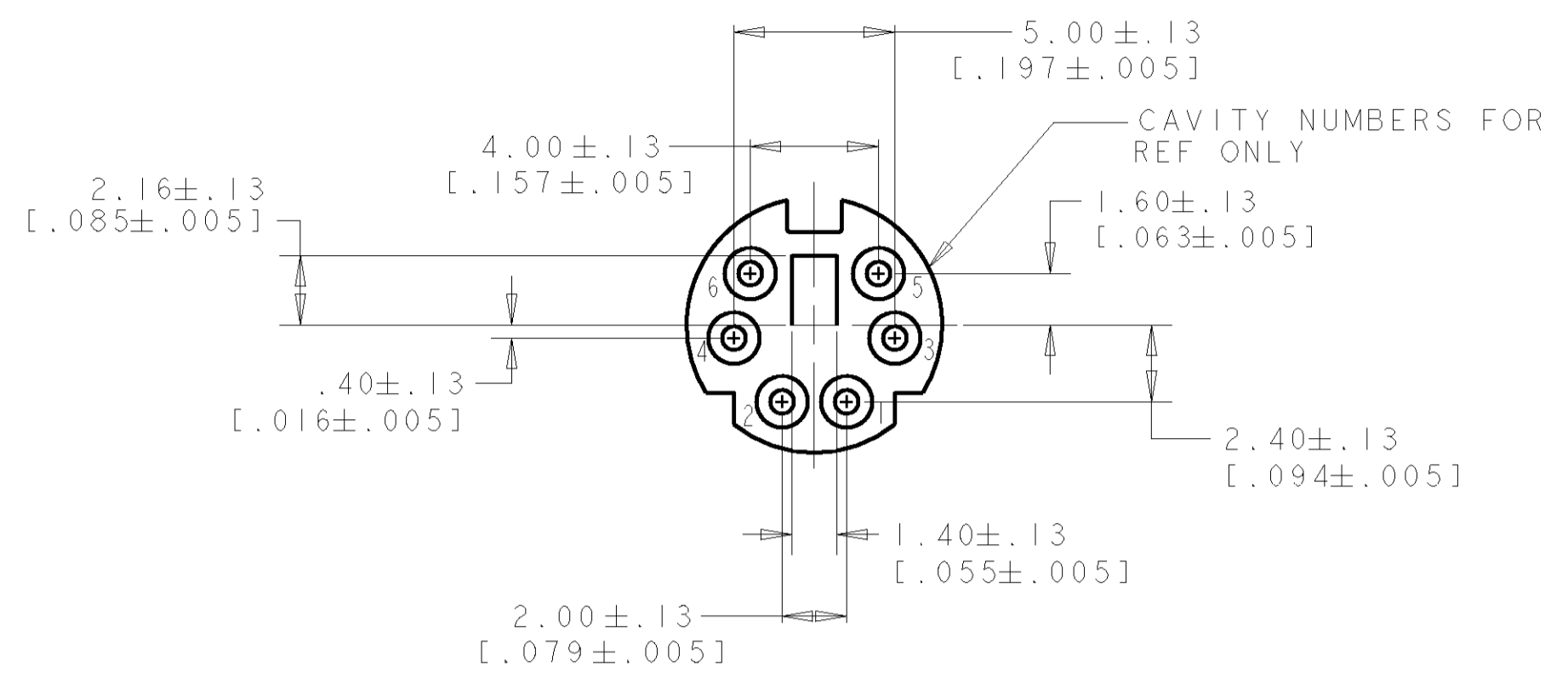
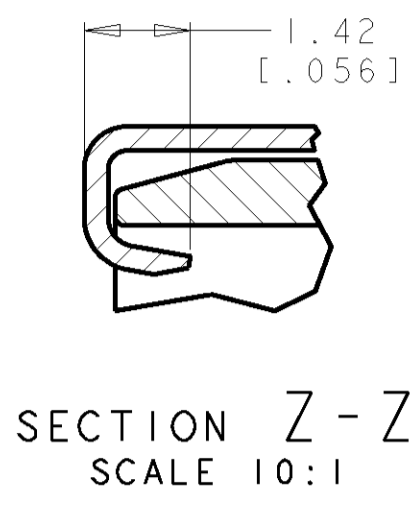
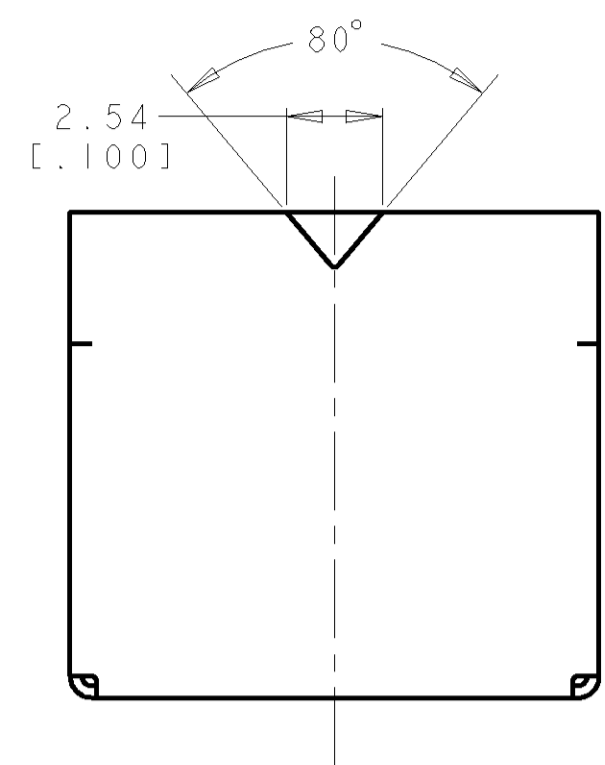
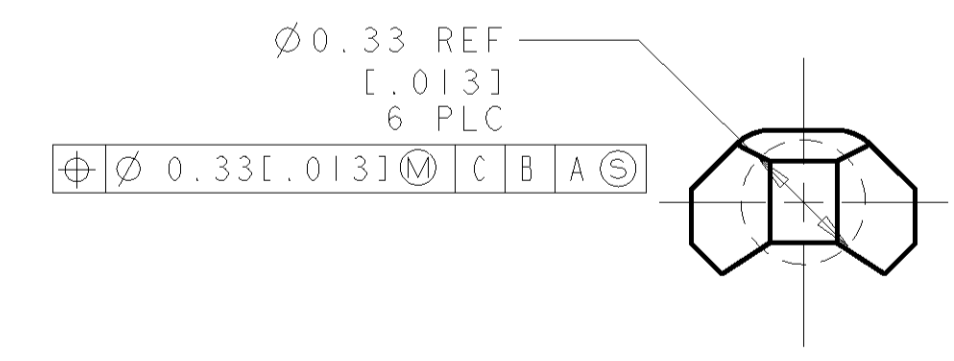
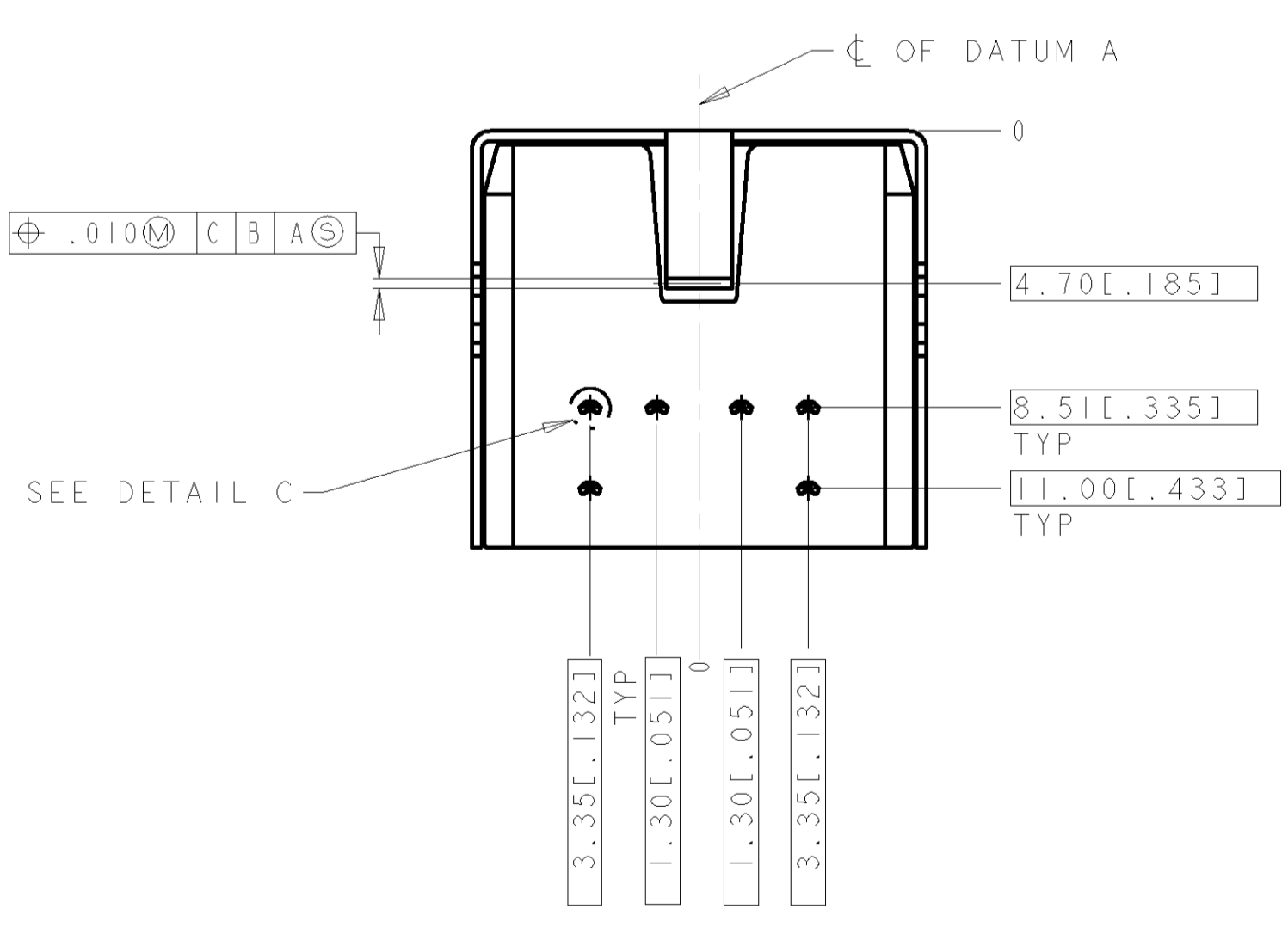
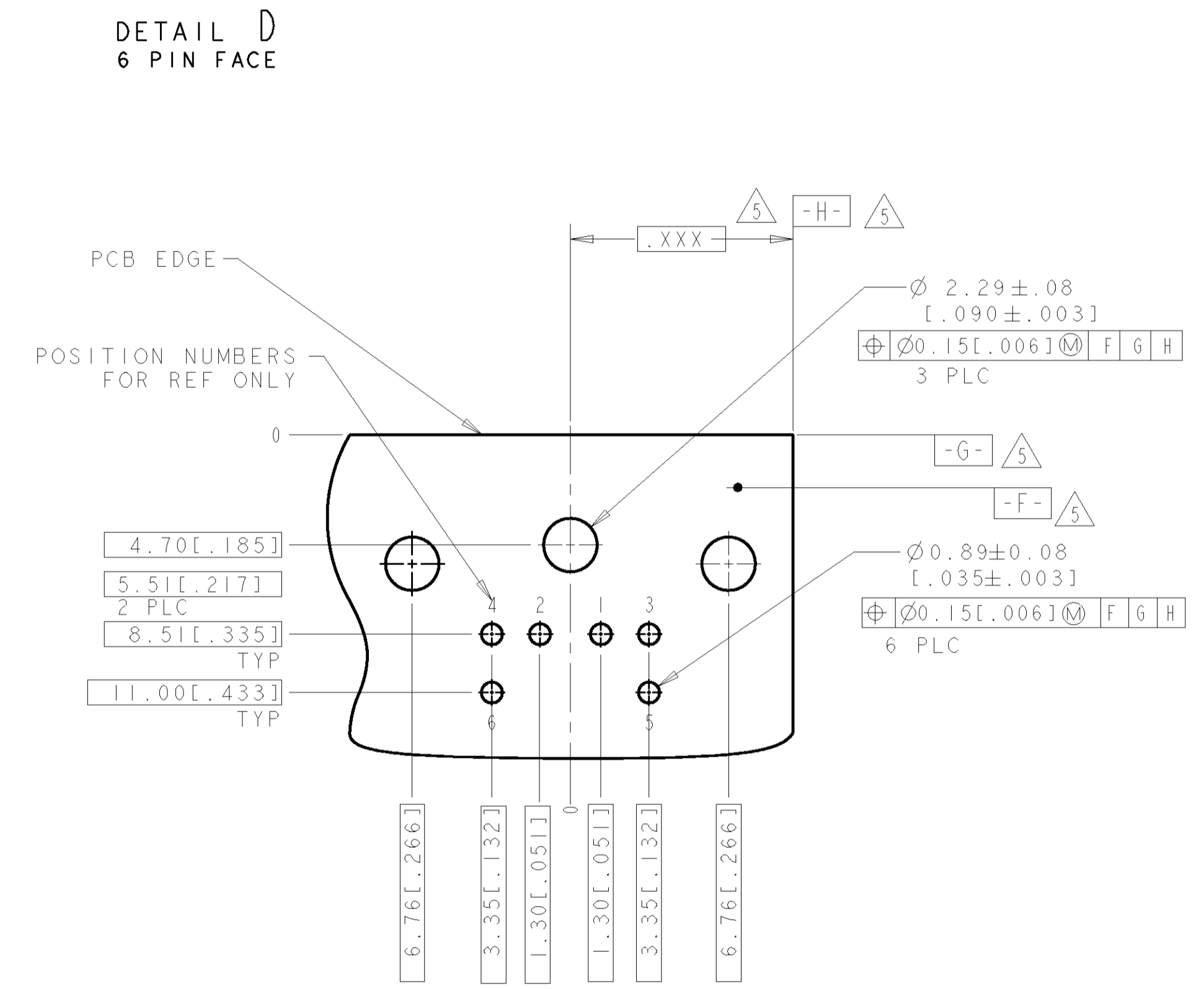
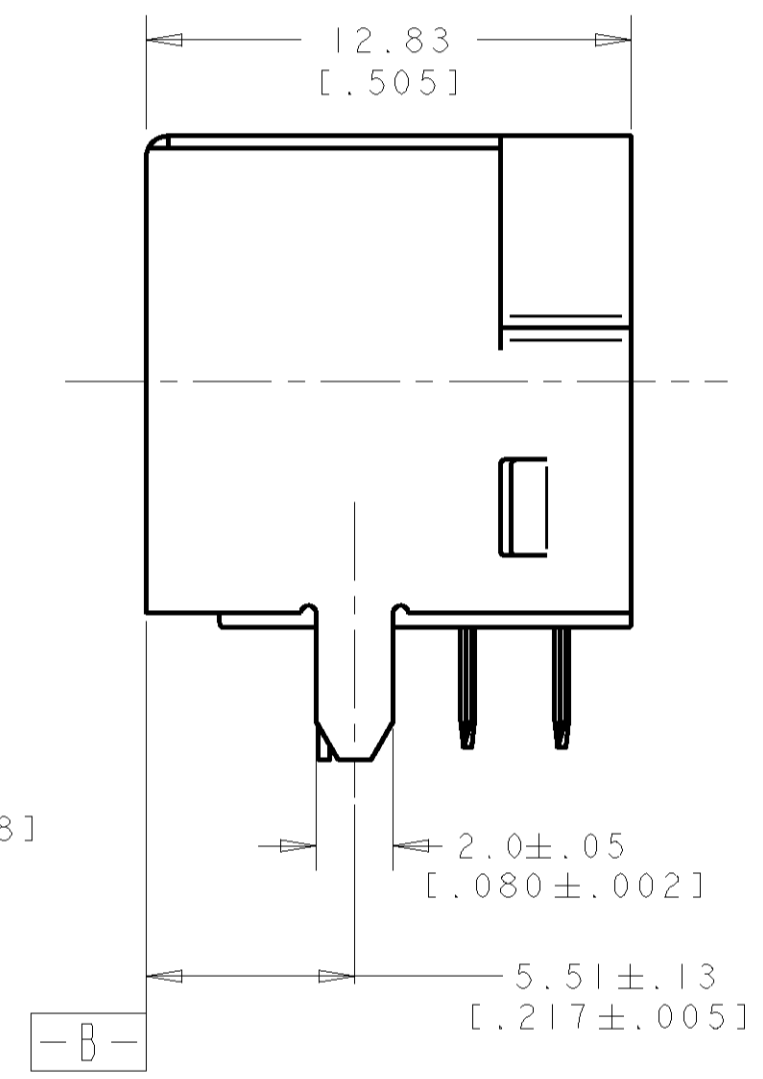
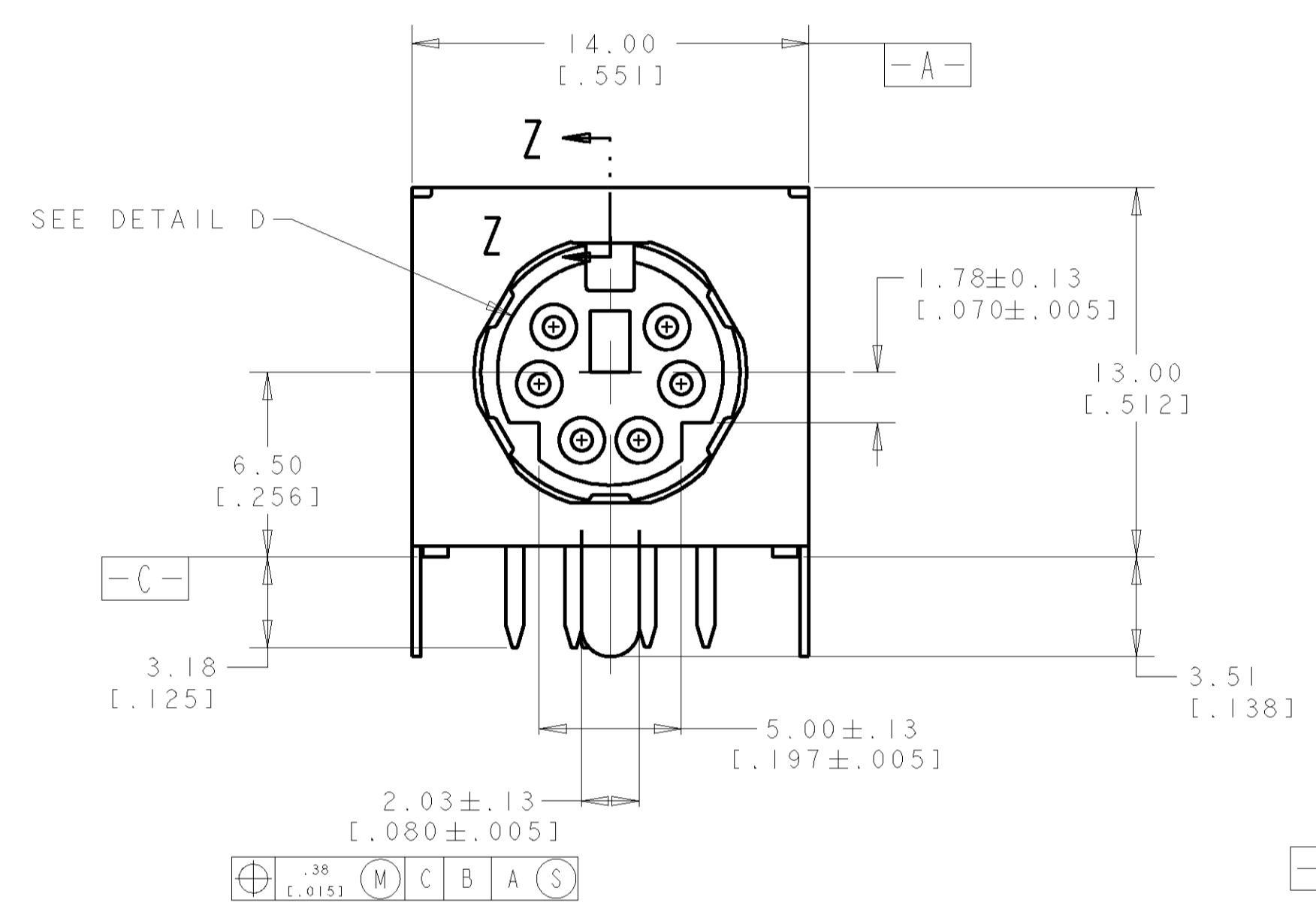


LOC	DIST	REV	DESCRIPTION	DATE	DNM	APRD
01	01	P	REVISED PER ECO-11-005139	19MAR11	RK	HMR



- △ RECEPTACLE CONTACTS: COPPER ALLOY.  
RECEPTACLE SHIELD: COPPER ALLOY.  
HOUSING: THERMOPLASTIC, BLACK, 94V-0 RATED.
- △ PLATING:  
RECEPTACLE CONTACTS - GOLD FLASH PLATED ON MATING END, MATTE-TIN PLATED .0030 MIN [0.000120 MIN] THICK ON SOLDER TAIL ALL OVER .0013 MIN [0.000050 MIN] THICK NICKEL.
- △ PLATING:  
SHIELD: PRE-TIN PLATED
- 4. RECEPTACLE ASSEMBLY MATES WITH 6 PIN 9.00 ± 0.10 [0.354 ± 0.004] DIAMETER PLUG.
- △ DATUMS AND BASIC DIMENSION SUPPLIED BY CUSTOMER.



P/N: 5749265-1 AS SHOWN

DIMENSIONS: mm [INCHES]		TOLERANCES UNLESS OTHERWISE SPECIFIED:		DWN: WYLEE 04JAN2005		TE Connectivity	
0 PLC	±	1 PLC	±	NAME	RECEPTACLE ASSY, 6 POS., RIGHT ANGLE, MINIATURE CIRCULAR DIN		
2 PLC	±	3 PLC	±	PRODUCT SPEC	108-1225		
4 PLC	±0.38 [0.015]	5 PLC	±	APPLICATION SPEC	-		
6 PLC	±	ANGLES	±	SIZE	CAGE CODE	DRAWING NO	REV
MATERIAL				WEIGHT	A1	00779	C=5749265
FINISH				CUSTOMER DRAWING			
SCALE 5:1				SHEET 1 OF 1			

单击下面可查看定价，库存，交付和生命周期等信息

[>>TE Connectivity\(泰科\)](#)