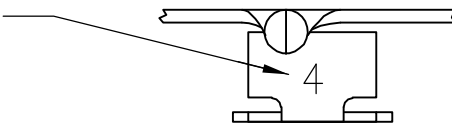


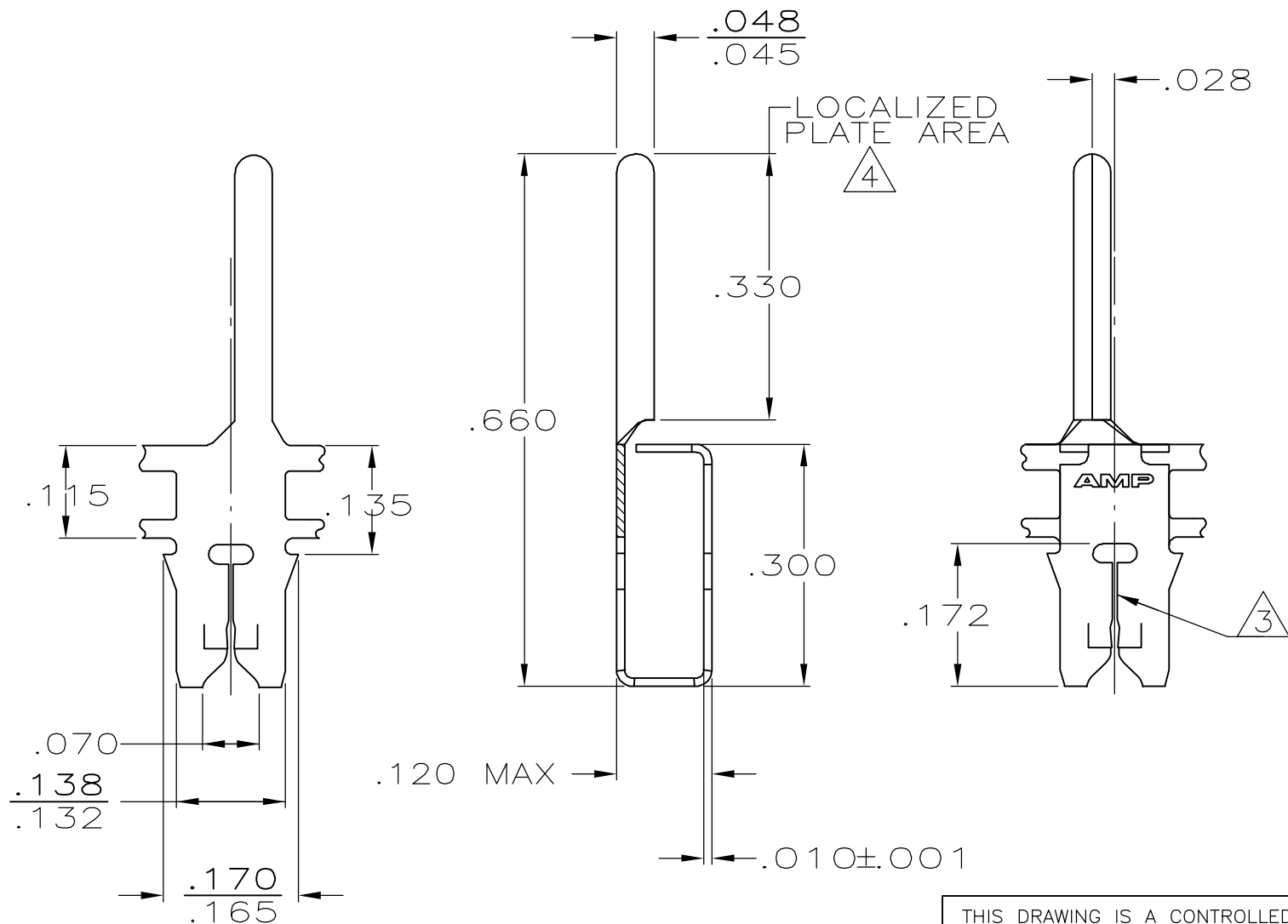
THIS DRAWING IS UNPUBLISHED. RELEASED FOR PUBLICATION  
 © COPYRIGHT BY TYCO ELECTRONICS CORPORATION. ALL RIGHTS RESERVED.

LOC	DIST	REVISIONS			
P	LTR	DESCRIPTION	DATE	DWN	APVD
AF	50	F	REV PER ECR 05-010705	03NOV05	JR KR

IDENTIFICATION NUMBER 4 FOR  
MAGNET WIRE RANGE



- ① MAG-MATE CAVITY SPECIFICATION.
- ② CONTINUOUS STRIP ON REELS WITH TERMINALS LOCATED ON  $.220 \pm .003$  CENTERS.
- ③ SLOT TERMINATES EITHER SINGLE OR DOUBLE MAGNET WIRES OF THE SAME TYPE AND SIZE, COPPER RANGE IS #33-#31 AWG.
- ④  $.000080 / .000250$  TIN PLATE.
- ⑤ PRELIMINARY - NOT FOR PRODUCTION.



REVERSE	⑤ 63444-2
STANDARD	63444-1
REELING	PART NO.

THIS DRAWING IS A CONTROLLED DOCUMENT.		DWN MS FEHER 10/25/88	Tyco Electronics Corporation Harrisburg, PA 17105-3608				
DIMENSIONS: INCHES		CHK JR RUTH 10/25/88					
TOLERANCES UNLESS OTHERWISE SPECIFIED:		APVD TL SHUTTER 10/25/88	NAME				
0 PLC ± - 1 PLC ± - 2 PLC ± - 3 PLC ± .006 4 PLC ± - ANGLES ± -		PRODUCT SPEC	PIN, .048 DIA, (LEFT HAND), MAG-MATE				
MATERIAL H04 BRASS		FINISH ④	APPLICATION SPEC 114-2046 ①	SIZE A3	CAGE CODE 00779	DRAWING NO C-63444	RESTRICTED TO
CUSTOMER DRAWING			WEIGHT -	SCALE 5:1	SHEET 1 OF 1	REV F	

单击下面可查看定价，库存，交付和生命周期等信息

[>>TE Connectivity\(泰科\)](#)