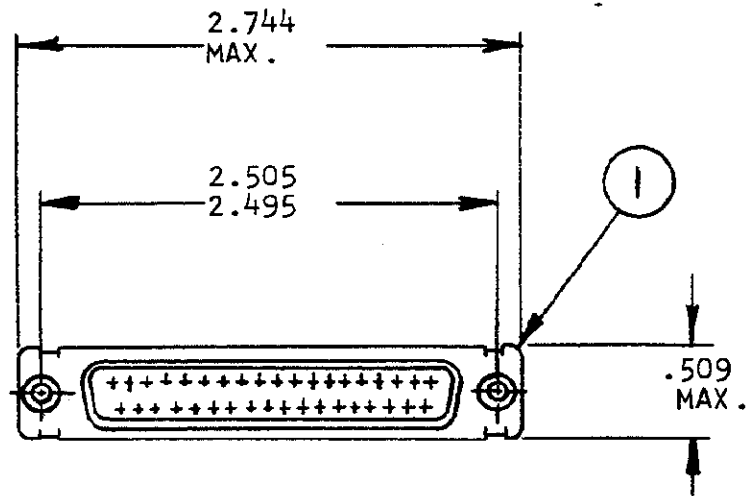


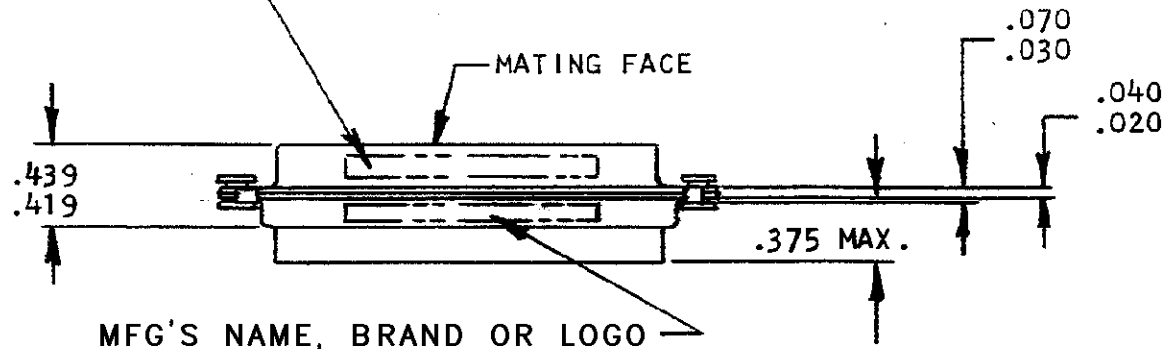
© 1971 BY AMP INCORPORATED. ALL RIGHTS RESERVED. AMP PRODUCTS COVERED BY PATENTS AND/OR PATENTS PENDING.

REVISIONS				
ZONE	LTR	DESCRIPTION	DATE	APPROVED
B		REV. PER ECN C-320	4/13/73	JTS
C		REV. PER ECN C-878	3/19/74	DR
D		REV. PER ECN D-019	5/15/79	AJ
E		REV. PER ECN DF-0021, DF-0160 & R2670	1-13-88	EAM
F		ECO-08-023688	11-08	BW

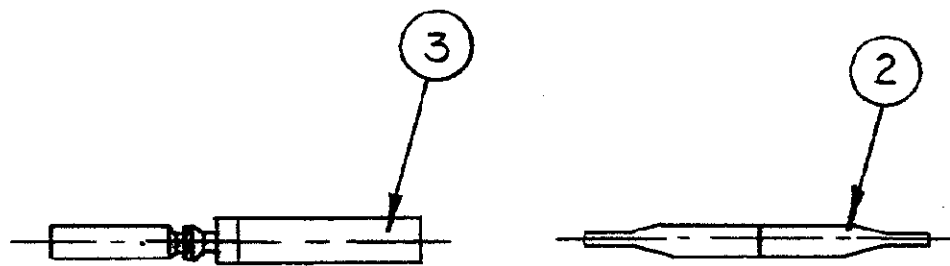
⚠ APPROPRIATE P/N (KIT) IS MARKED ON PACKAGE



MILITARY P/N M24308/2-26F MARKED, FAR SIDE



MFG'S NAME, BRAND OR LOGO MARKED, FAR SIDE
MFG'S PART NO AND DATE CODE MARKED, FAR SIDE



205485	205485	205485	UNLESS OTHERWISE SPECIFIED DIMENSIONS ARE IN INCHES TOLERANCES ON: DECIMALS ± # ANGLES ± #	CONTRACT NO.	AMP INCORPORATED HARRISBURG, PENNSYLVANIA	
3	2	1	MATERIAL	DR. <i>L. Morington</i> 4/13/73	AMP	
4	4	1	1	CHK <i>Raymond</i> 4/12/73	KIT "HDM" SERIES	
1	1	1	1	APPD <i>Dick Baer</i> 4-23-73	RECEPTACLE, SIZE # 4	
1	1	1	1	REV <i>Schubertshell</i> 1-12-73	SIZE	CODE IDENT NO.
1	1	1	1	1	B	00779
1	1	1	1	1	NUMBER	205485
1	1	1	1	1	REV	F
1	1	1	1	1	SCALE	#
1	1	1	1	1	SHEET	1 OF 1

CUSTOMER DRAWING

单击下面可查看定价，库存，交付和生命周期等信息

[>>TE Connectivity\(泰科\)](#)