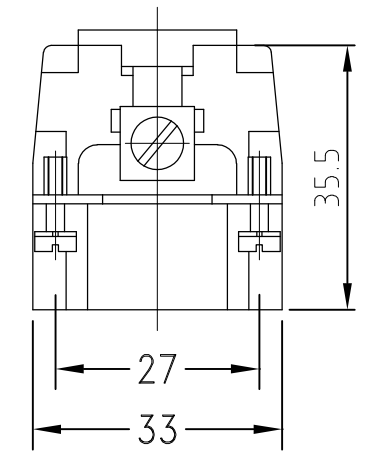
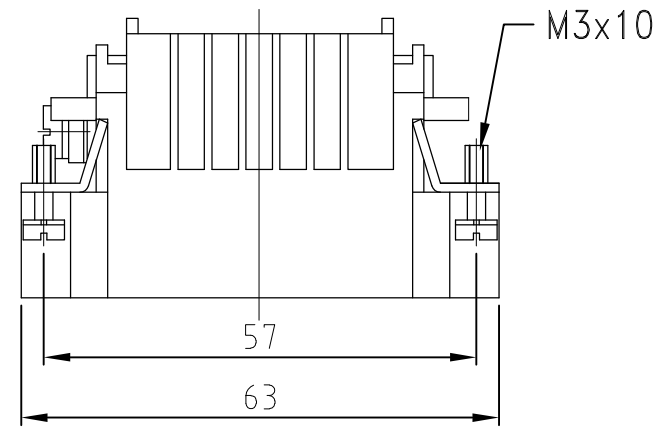


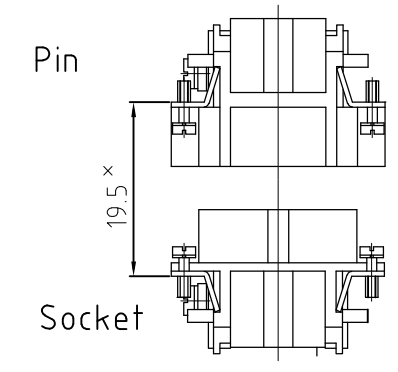
THIS DRAWING IS UNPUBLISHED. RELEASED FOR PUBLICATION
 © COPYRIGHT - BY TYCO ELECTRONICS CORPORATION. ALL INTERNATIONAL RIGHTS RESERVED.

LOC	DIST	REVISIONS						
		P	LTR	DESCRIPTION	DATE	DWN	APVD	
A1	-	A3	UL-File entfällt	EGD0-0218-03	UL-file removed	29.09.03	SR	SM
		A4	REVISED PER ECO-11-002591			11FEB11	HMR	MM

Maßbild
Outline drawing



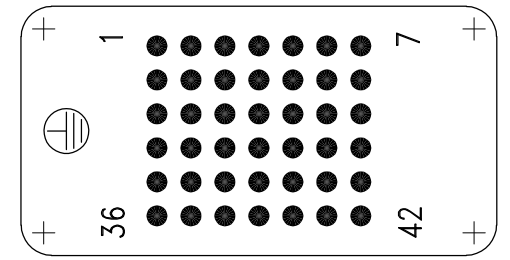
Assembly reference



Pin
Socket
× Distance for contact max: 21 mm

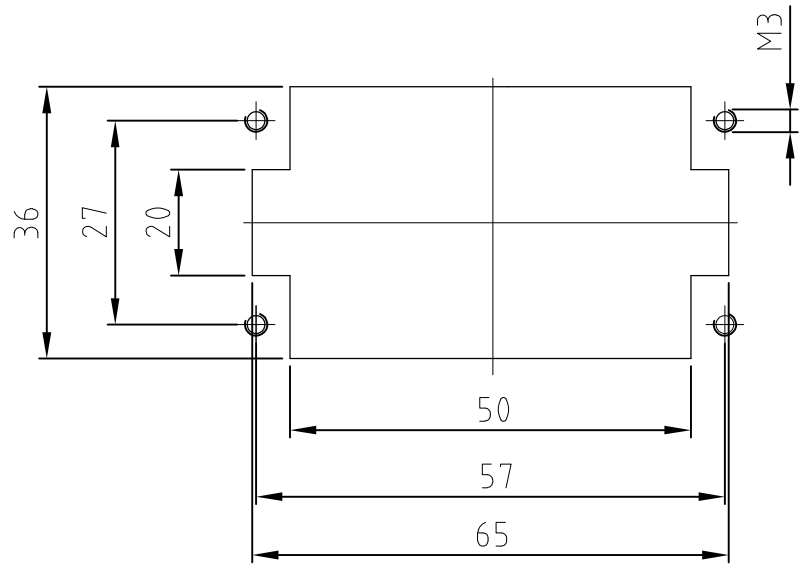
Kontaktanordnung
Contact arrangement

Ansicht Anschlußseite
view from termination side



Montageausschnitt
Panel cut-out for contact insert

bei Verwendung ohne Gehäuse
when used without housing



Notes,

- 1 Material: insert, PC
- 2 Finish: contact; Ag, Au

Bemerkungen,

- 1 Material: Einsatz: PC
- 2 Oberfläche: Kontakte; Ag, Au

1	Pin Insert HN.2D.42 Crimp	1	dark gray	1	-	
2-3	DESCRIPTION / BENENNUNG	MATERIAL	COLOR / FARBE	ITEM NO. POS.	REMARKS / BEMERKUNGEN	
HN.2D.42.Sti.C	THIS DRAWING IS A CONTROLLED DOCUMENT.		DWN Schneider	10.11.1997	Tyco Electronics Corporation Harrisburg, Pa 17105-3608	
	DIMENSIONS: mm		CHK	-	NAME	
	TOLERANCES UNLESS OTHERWISE SPECIFIED: GENERAL TOLERANCES p ISO 8015 r ISO 2768 - mH - E q DIN 16901 - 14.0		APVD	-	PRODUCT SPEC	
	0 PLC ± - 1 PLC ± - 2 PLC ± - 3 PLC ± - 4 PLC ± - ANGLES ± -		PRODUCT SPEC	-	APPLICATION SPEC	
	MATERIAL 1		FINISH 2	WEIGHT 53g	SIZE A3	CAGE CODE 00779
CUSTOMER DRAWING			SCALE 1:1	SHEET 1 OF 1	REV A4	RESTRICTED TO -

单击下面可查看定价，库存，交付和生命周期等信息

[>>TE Connectivity\(泰科\)](#)