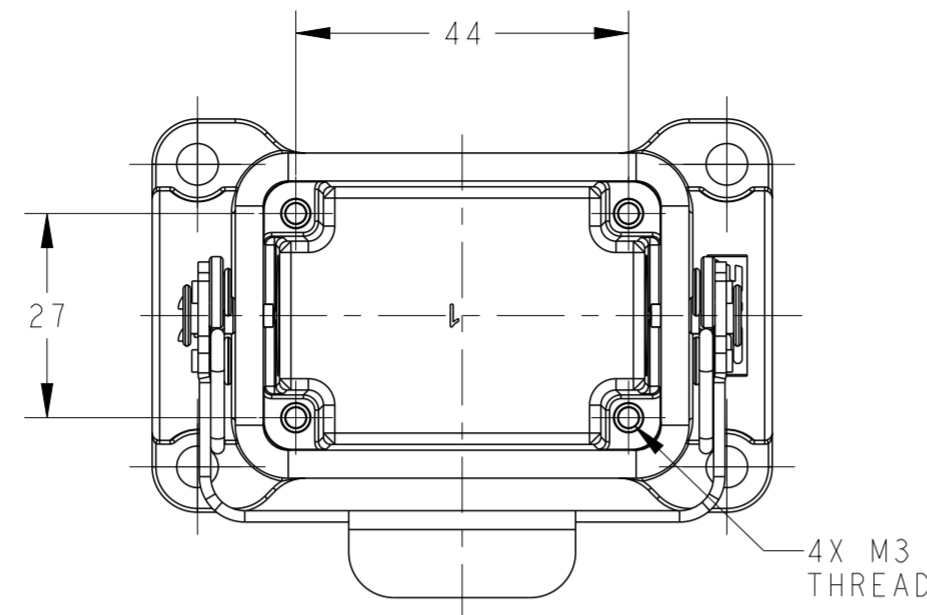


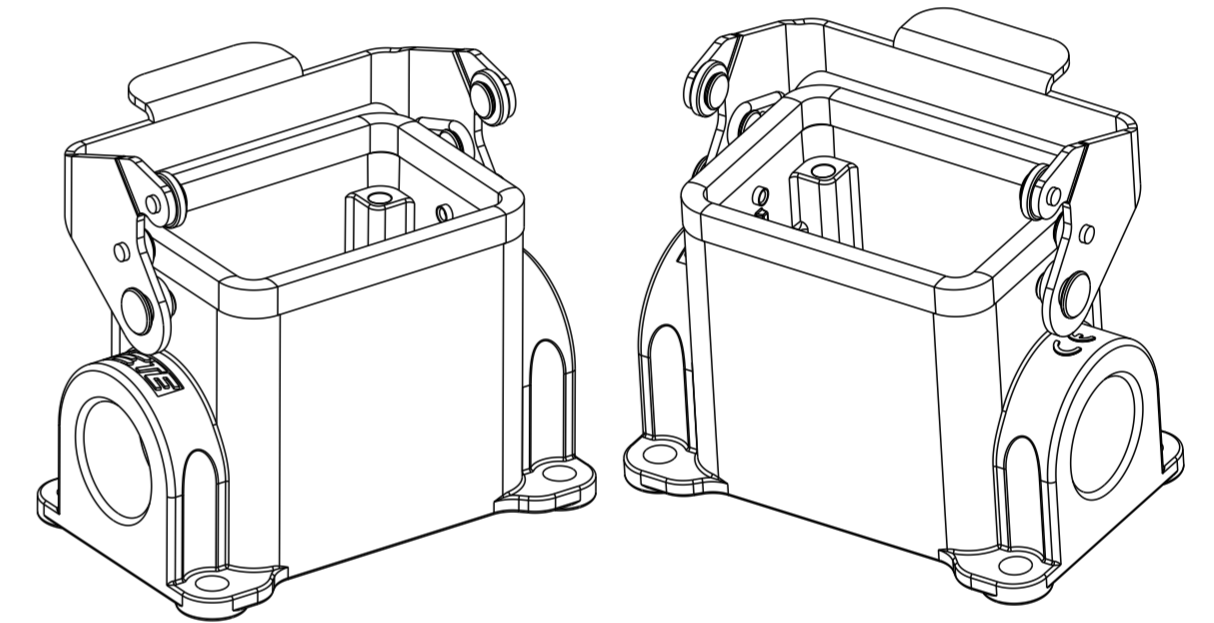
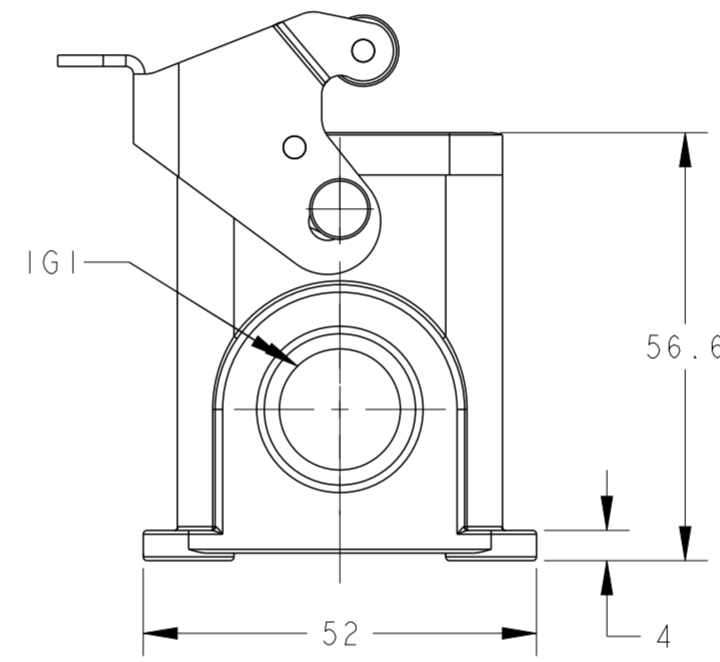
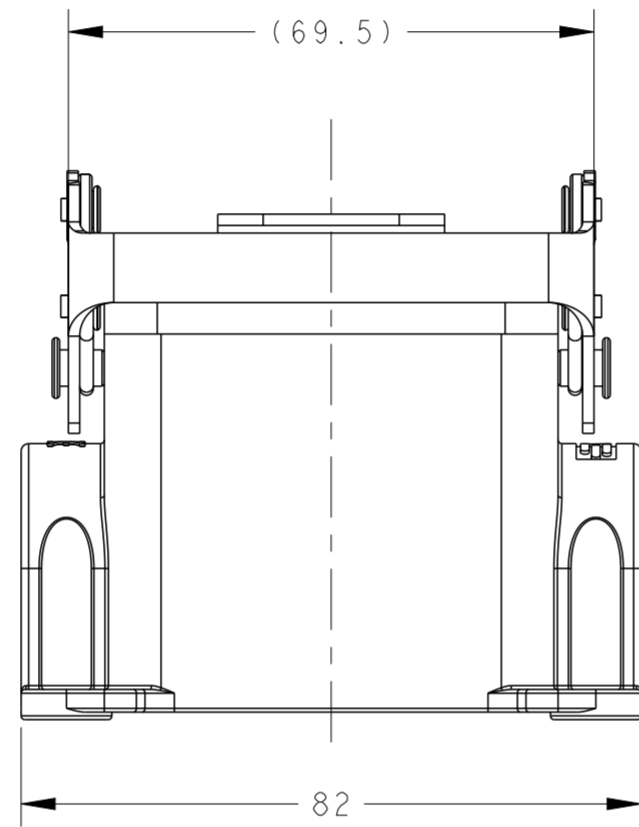
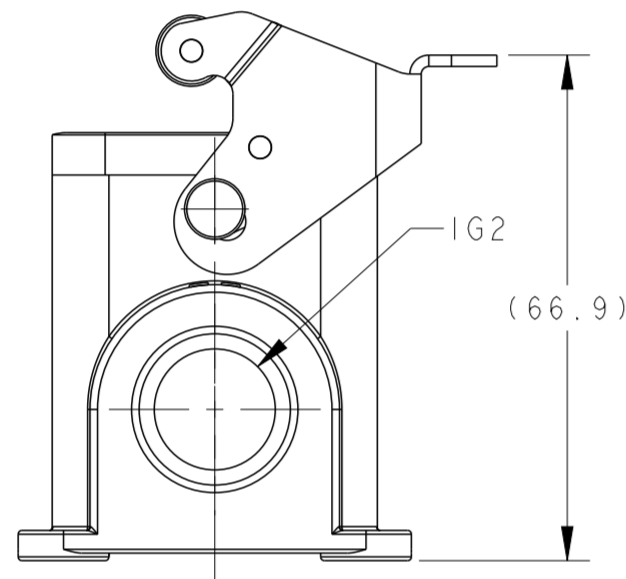
THIS DRAWING IS UNPUBLISHED. RELEASED FOR PUBLICATION 20
 © COPYRIGHT 20 BY - ALL RIGHTS RESERVED.

REVISIONS				
P	LTR	DESCRIPTION	DATE	APVD
A		INITIAL	23JUN2015	DW CW
B		ECR-20-007968	11JUN2020	WOR CW

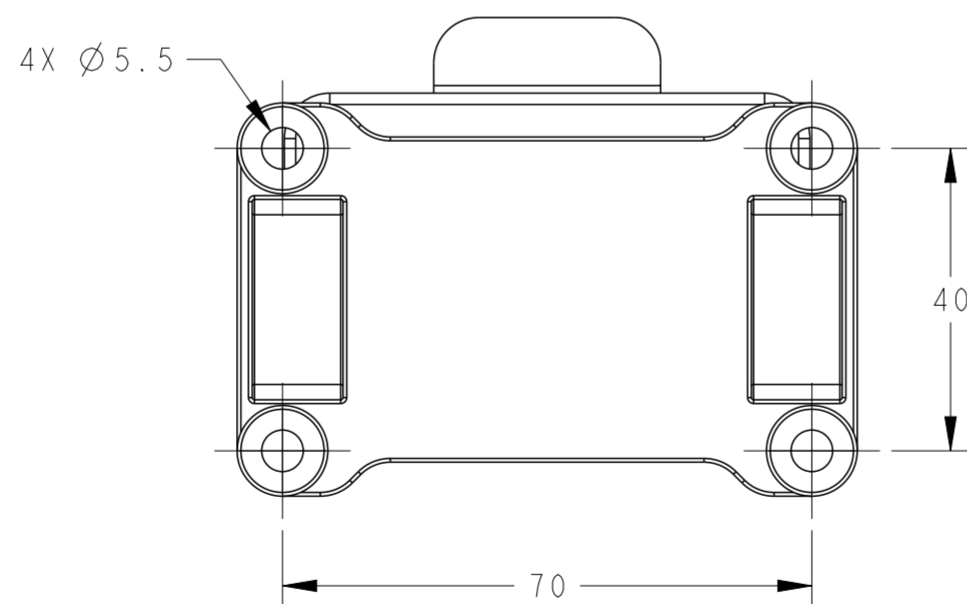


NOTES:
 1. TECHNICAL CHARACTERISTICS:
 HOUSING MATERIAL: DIE CAST ALUMINIUM ALLOY
 SURFACE: POWDER COATED, GREY
 DEGREE OF PROTECTION: IP65 (MATED)

注释:
 1. 技术参数:
 表面安装外壳材料: 铝合金
 表面处理: 粉末涂层, 灰色
 防护等级: IP65(配合)



SCALE 4:5



T1610062113-000	H6B-SGRS-PG13.5	PG13.5	-
T1610062116-000	H6B-SGRS-PG16	PG16	-
T1610062120-000	H6B-SGRS-M20	M20	-
T1610062125-000	H6B-SGRS-M25	M25	-
T1610062216-000	H6B-SGRS-2PG16	PG16	PG16
T1610062220-000	H6B-SGRS-2M20	M20	M20
T1610062225-000	H6B-SGRS-2M25	M25	M25
PART NUMBER	DESCRIPTION	IG1	IG2

DIMENSIONS:		TOLERANCES UNLESS OTHERWISE SPECIFIED:		DWN		APVD		NAME	
mm		0 PLC	±	David Wang	23JUN2015	Xiang Xu		H6B-SGRS-M/PG	
		1 PLC	±	CHK	23JUN2015	Chris Wang		TE Connectivity	
		2 PLC	±	APVD		23JUN2015		PRODUCT SPEC	
		3 PLC	±	108-137013				APPLICATION SPEC	
		4 PLC	±	114-137013				RESTRICTED TO	
		ANGLES	±	WEIGHT		A200779		C-T1610062XXXX00	
		FINISH	-	Customer Drawing		SCALE 1:1		SHEET 1 OF 1	
			-					REV B	

单击下面可查看定价，库存，交付和生命周期等信息

[>>TE Connectivity\(泰科\)](#)