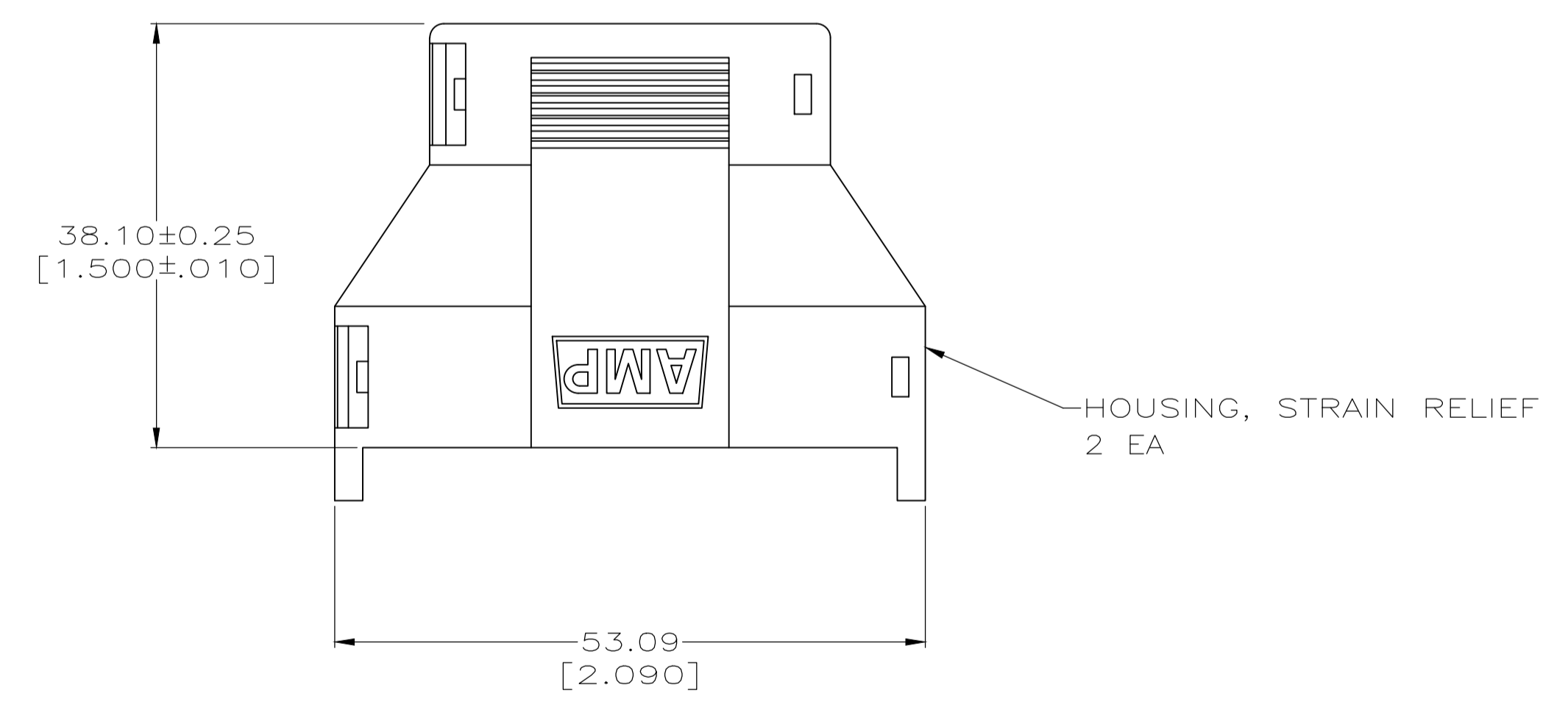
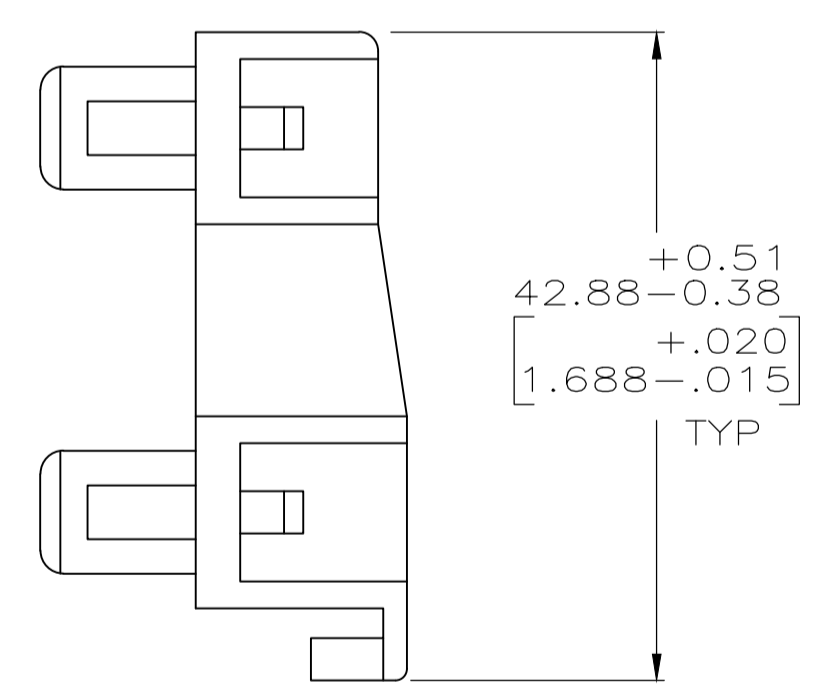
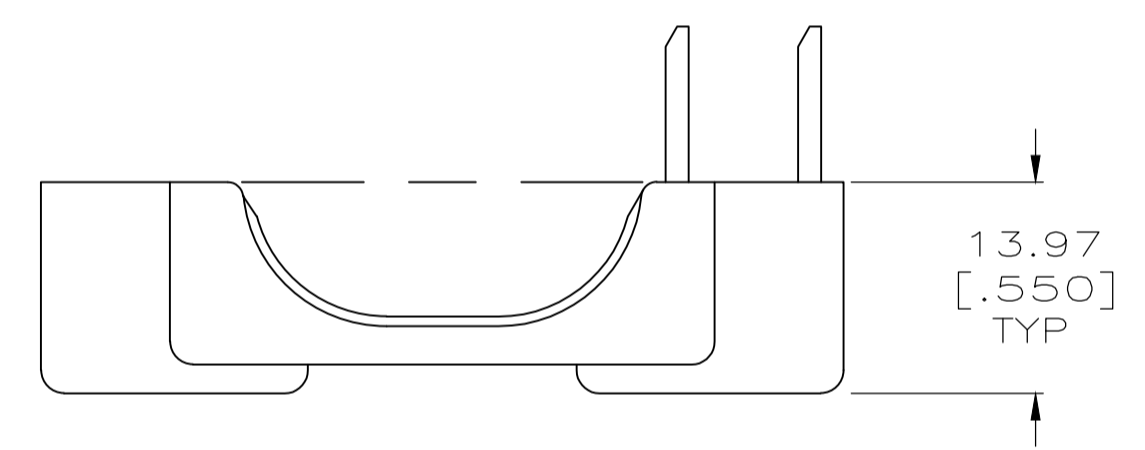
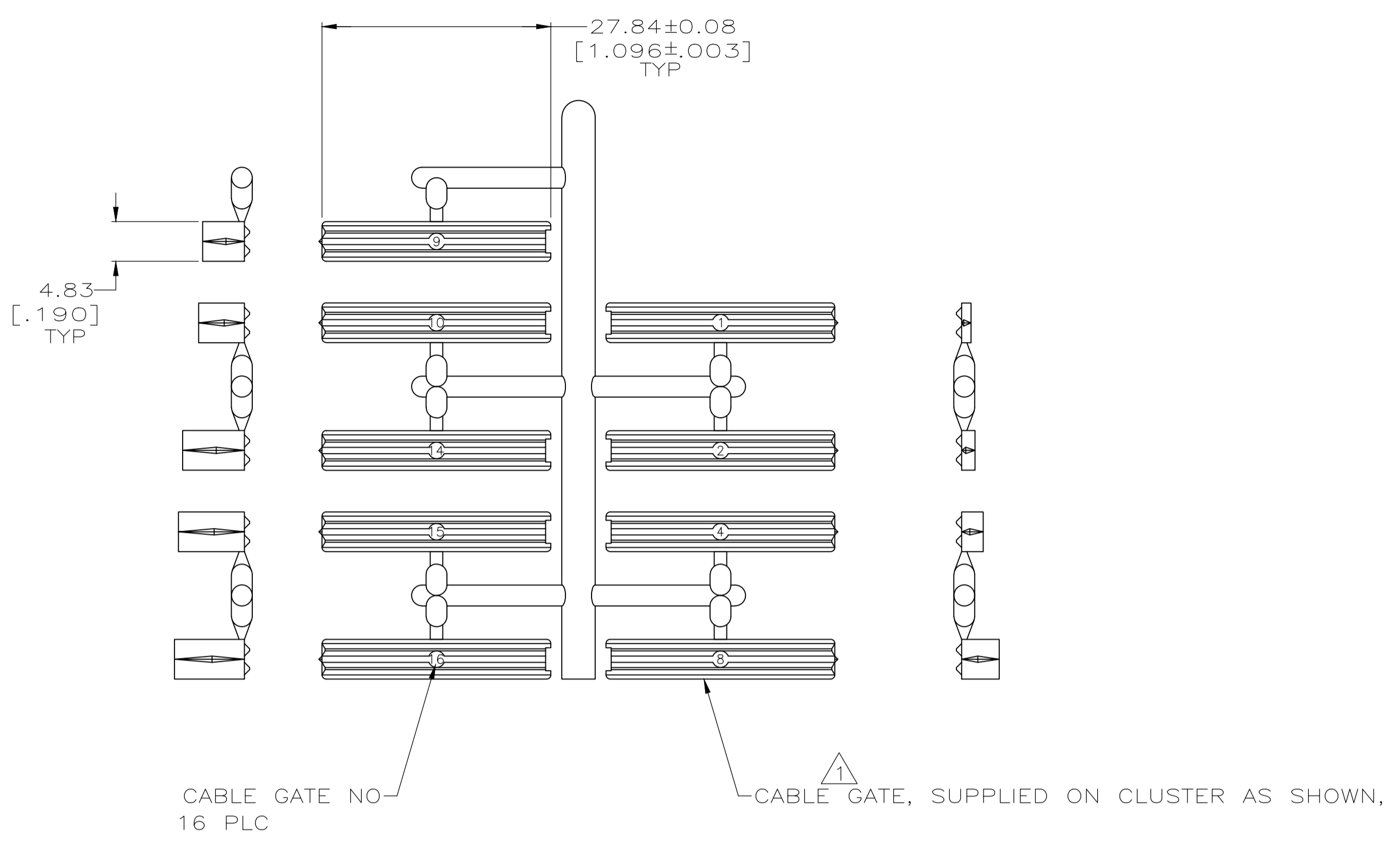
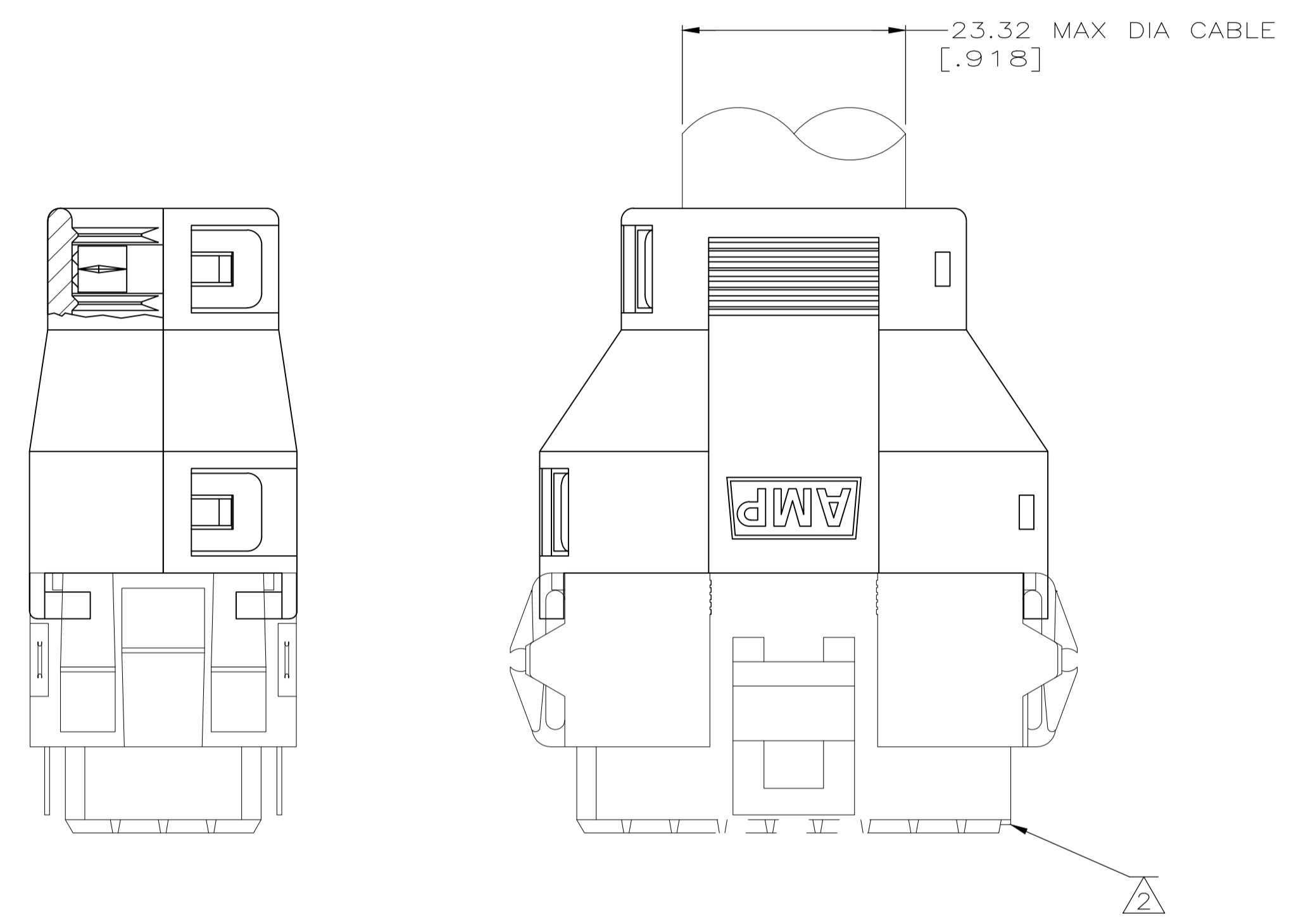
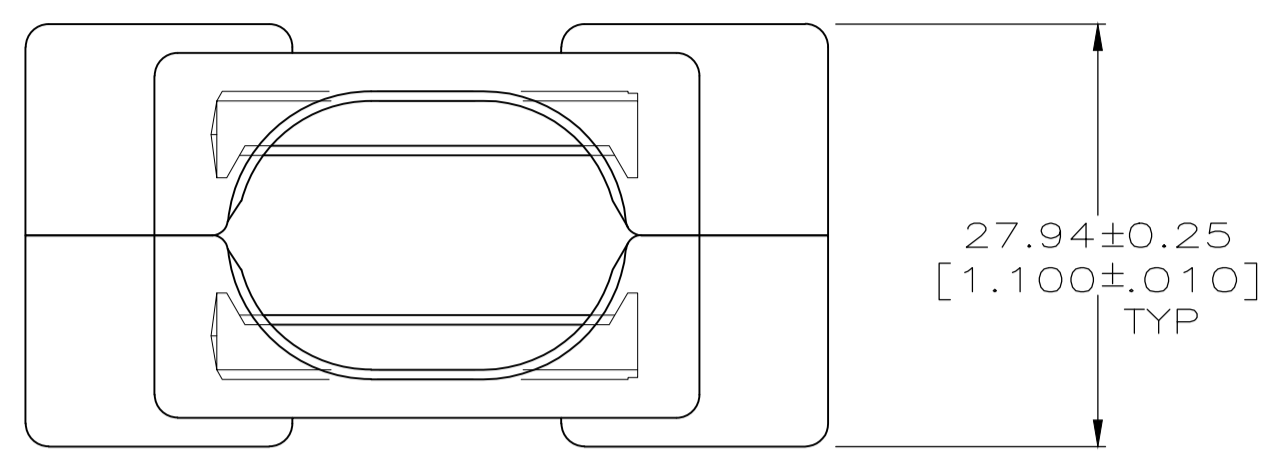


REVISIONS					
P	LTR	DESCRIPTION	DATE	DMN	APVD
E		REVISED PER ECO-20-002047	24FEB2020	RK	MZ



- ⚠ A VARIETY OF CABLE GATES ARE PROVIDED TO ACCOMMODATE A VARIETY OF CUSTOMER CABLE SIZES.
- ⚠ PLUG SHOWN FOR REFERENCE ONLY. STRAIN RELIEF CAN BE USED ON EITHER PLUG OR RECEPTACLE.
- ⚠ HOUSING MATERIAL: PA66, BLACK, UL 94 V-0 RATED

THIS DRAWING IS A CONTROLLED DOCUMENT.		DIN J McCLINTON 1-27-92		207604-1 PART NUMBER																											
DIMENSIONS: INCHES		TOLERANCES UNLESS OTHERWISE SPECIFIED:		TE Connectivity																											
<table border="1"> <tr><td>0. PLC</td><td>± .005</td></tr> <tr><td>1. PLC</td><td>± .005</td></tr> <tr><td>2. PLC</td><td>± .005</td></tr> <tr><td>3. PLC</td><td>± .005</td></tr> <tr><td>4. PLC</td><td>± .005</td></tr> <tr><td>ANGLES</td><td>± .005</td></tr> </table>		0. PLC	± .005	1. PLC	± .005	2. PLC	± .005	3. PLC	± .005	4. PLC	± .005	ANGLES	± .005	<table border="1"> <tr><td>APVD</td><td>R STONE</td></tr> <tr><td>NAME</td><td></td></tr> <tr><td>PRODUCT SPEC</td><td>108-10033</td></tr> <tr><td>APPLICATION SPEC</td><td></td></tr> </table>		APVD	R STONE	NAME		PRODUCT SPEC	108-10033	APPLICATION SPEC		<table border="1"> <tr><td>SIZE</td><td>A1</td></tr> <tr><td>WEIGHT</td><td></td></tr> <tr><td>CUSTOMER DRAWING</td><td></td></tr> </table>		SIZE	A1	WEIGHT		CUSTOMER DRAWING	
0. PLC	± .005																														
1. PLC	± .005																														
2. PLC	± .005																														
3. PLC	± .005																														
4. PLC	± .005																														
ANGLES	± .005																														
APVD	R STONE																														
NAME																															
PRODUCT SPEC	108-10033																														
APPLICATION SPEC																															
SIZE	A1																														
WEIGHT																															
CUSTOMER DRAWING																															
MATERIAL: PA66		FINISH: -		SCALE: 2:1																											
				SHEET 1 OF 1																											

单击下面可查看定价，库存，交付和生命周期等信息

[>>TE Connectivity\(泰科\)](#)