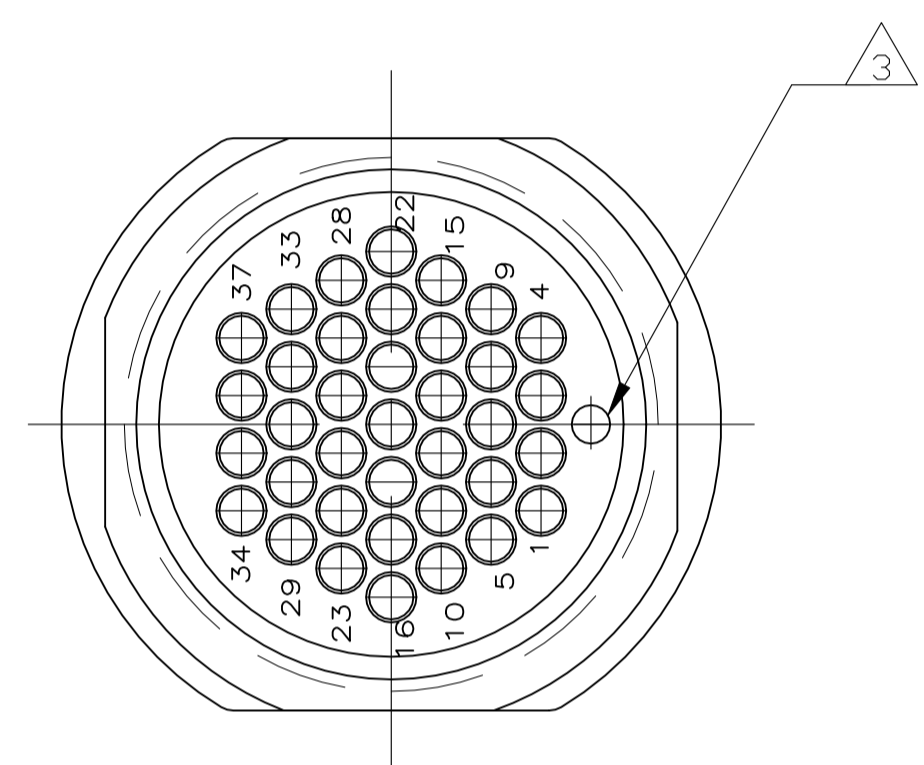
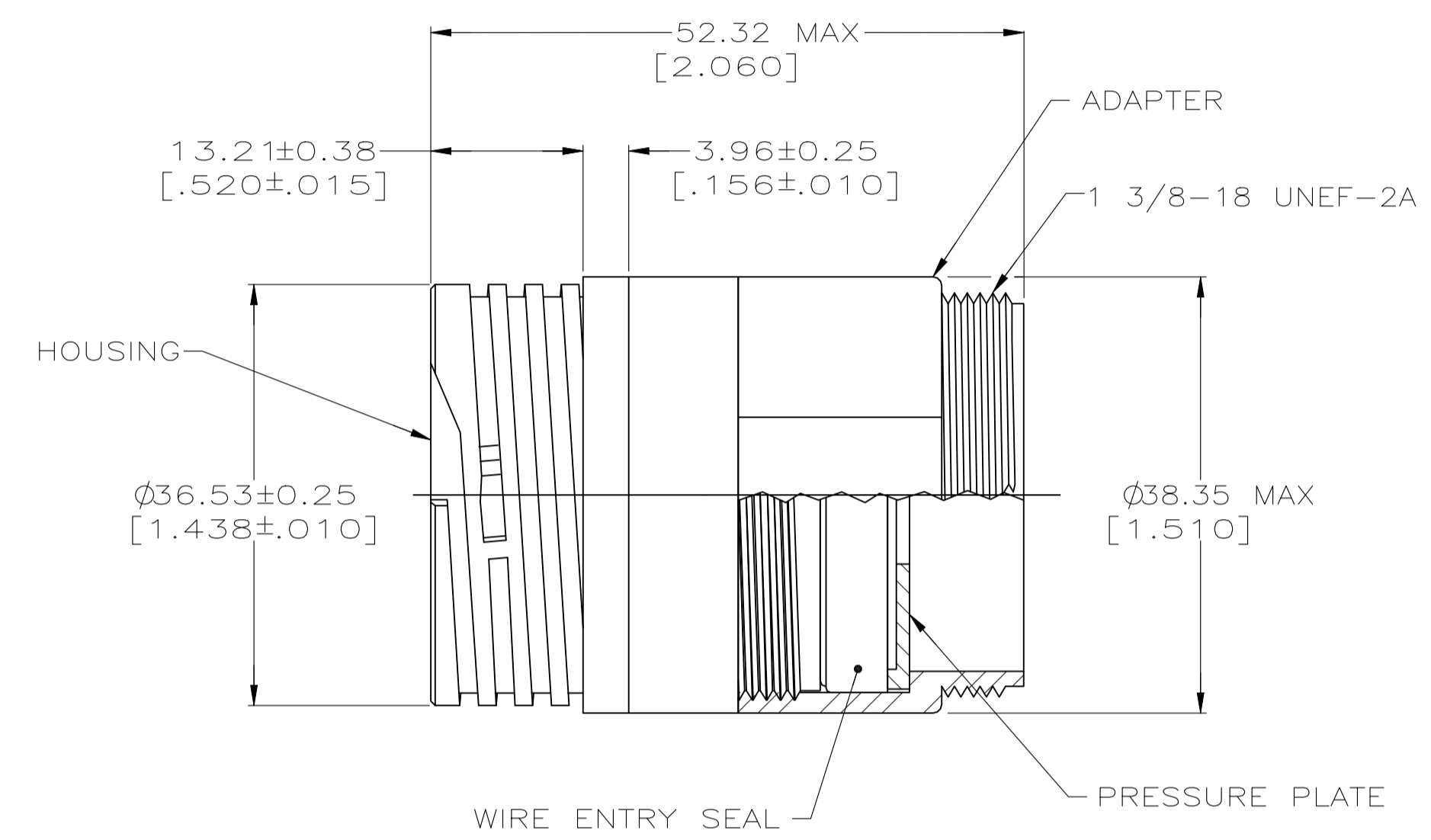
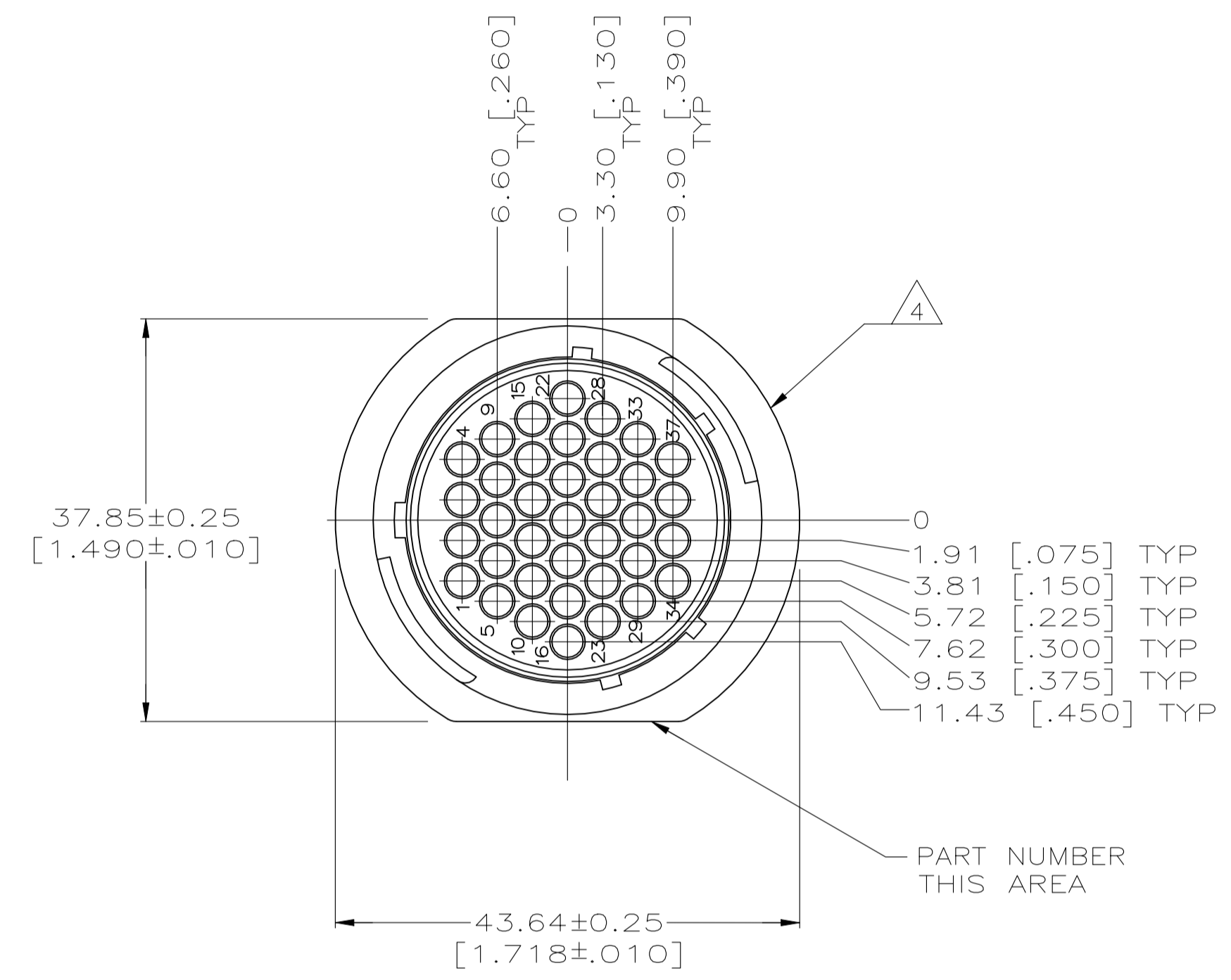


REVISIONS					
P	LTR	DESCRIPTION	DATE	DN	APVD
D		REVISED PER ECO-21-006945	28OCT2021	RK	MZ



- 1. ADAPTER AND HOUSING: NYLON, BLACK.
WIRE ENTRY SEAL: ELASTOMER, RED-IRON OXIDE.
PERIPHERAL SEAL: ELASTOMER, BLACK.
- 2. CONNECTOR WILL ACCEPT (37) MULTIMATE PIN CONTACTS.
- 3. ORIENTATION HOLE USED IN THE MANUFACTURING PROCESS ONLY.
THIS HOLE IS NOT INTENDED FOR WIRE INSERTION.
- 4. TE LOGO LOCATED ON ANY FLANGE EDGE

796287-1
PART NUMBER

THIS DRAWING IS A CONTROLLED DOCUMENT.		DIN C. DORWART 11 NOV 98	TE Connectivity	
DIMENSIONS: INCHES		CHK K. DOWHOWER 15NOV99	RCPT ASSY, SIZE 23-37, STANDARD SEX, FREE HANGING, SEALED CIRCULAR PLASTIC CONN	
TOLERANCES UNLESS OTHERWISE SPECIFIED:		APVD K. DOWHOWER 15NOV99	NAME	
0. PLC	± -	PRODUCT SPEC	108-1579	
1. PLC	± -	APPLICATION SPEC	-	
2. PLC	± 0.13(.005)	SIZE	A1	00779
3. PLC	± -	WEIGHT	-	
4. PLC	± -	CUSTOMER DRAWING	SCALE 2:1 SHEET 1 of 1 REV D	
ANGLES	± -	DRAWING NO 796287		

单击下面可查看定价，库存，交付和生命周期等信息

[>>TE Connectivity\(泰科\)](#)