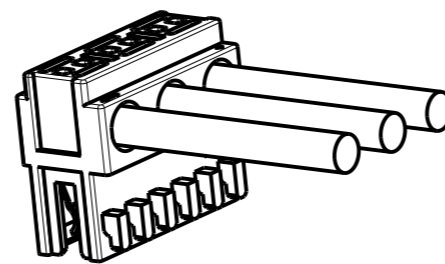
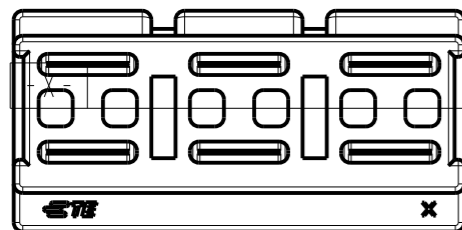


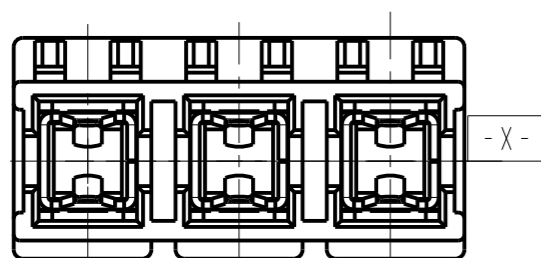
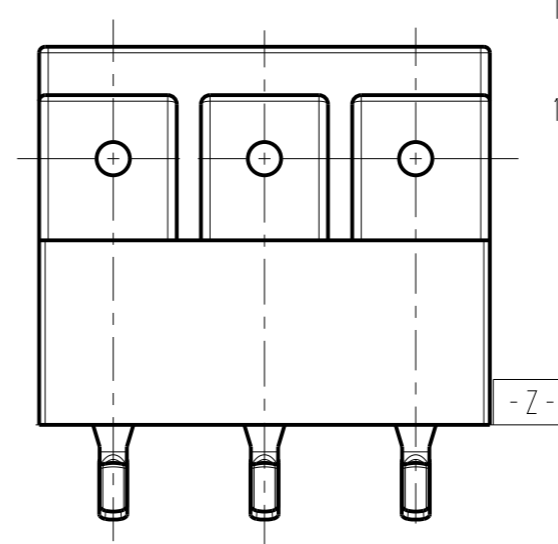
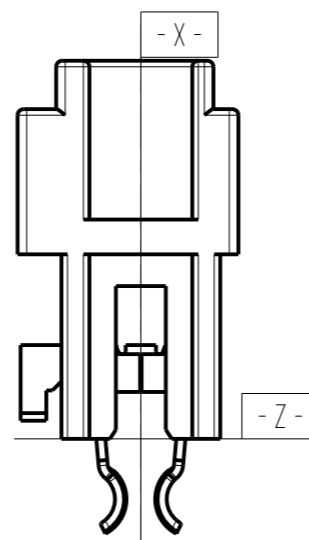
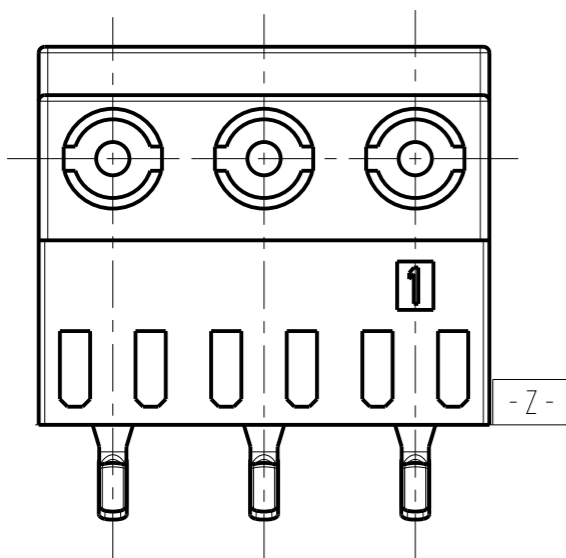
P	LTR	DESCRIPTION	DATE	DWN	APVD
1		creation	05AUG2020	LZ	FL



WIRE TERMINATED

NOTES

1. HOUSING: PA66 GF, GLOW WIRE TEST 750°C WITHOUT FLAME PER IEC60335-1, UL94-V0  
CONTACT: COPPER ALLOY WITH TIN PLATED
2. FULL KEYING RIBS CAN BE CUT WITH TERMINATION MACHINE FOR REQUIRED KEYING CONFIGURATION.
3. MATING PART: PCB OR TAB HEADER ACCORDING TO 114-106277
4. WIRE RANGE 0.35~0.75mm<sup>2</sup>, INSULATION RANGE 1.2~2.4 mm
5. PARTS SHOULD BE PACKAGED WITH TUBE.
6. PRELIMINARY PART NOT RELEASED FOR PRODCUTION.



THIS PRINT IS  
**PRELIMINARY**  
 UNQUALIFIED PRODUCT  
 CONTACT PRODUCT ENGINEERING  
 BEFORE USING THIS PRINT

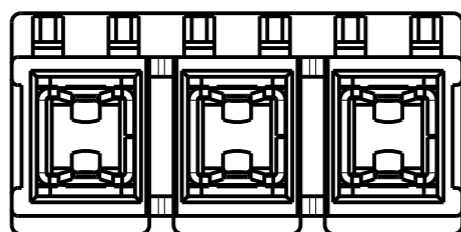
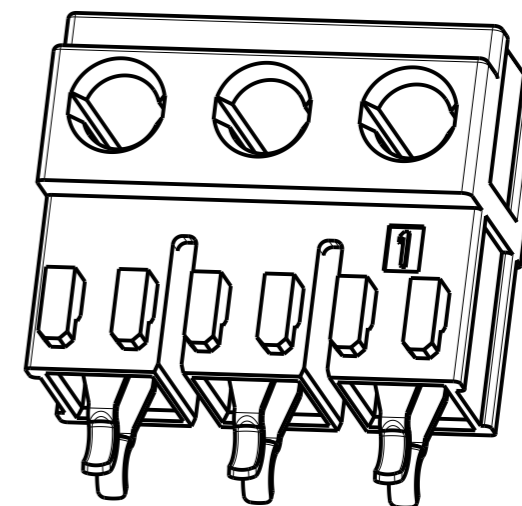
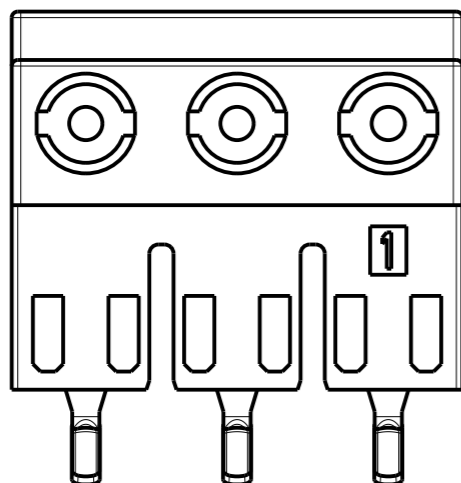
6 POS	25	29.90	2325926-6
5 POS	20	24.90	2325926-5
4 POS	15	19.90	2325926-4
3 POS	10	14.90	2325926-3
2 POS	5	9.90	2325926-2
POS	DIM A	DIM B	PART NO.

DIMENSIONS: mm 		TOLERANCES UNLESS OTHERWISE SPECIFIED: 0 PLC ±- 1 PLC ±0.6 2 PLC ±0.2 3 PLC ±- 4 PLC ±- ANGLES ±2		DWN 07AUG2020 Lanbo Zhang CHK 11AUG2020 Winter Wang APVD 12AUG2020 Federico Lupo PRODUCT SPEC 108-106516 APPLICATION SPEC 114-106277 WEIGHT - CUSTOMER DRAWING		TE Connectivity NAME ASSEMBLY SIZE A3 CAGE CODE 00779 DRAWING NO. C-C-2325926 RESTRICTED TO - SCALE 1:1 SHEET 1 OF 2 REV 1	
-----------------------	--	---	--	---	--	---	--

REVISIONS

P	LTR	DESCRIPTION	DATE	DWN	APVD
-		SEE SHEET 1	-	-	-

ISOLATION VERSION WITH SLOT FEATURE



OTHER DIMENSIONS REFER TO SHEET 1

7 POS	30	34.90	2376193-7
6 POS	25	29.90	2376193-6
5 POS	20	24.90	2376193-5
4 POS	15	19.90	2376193-4
3 POS	10	14.90	2376193-3
2 POS	5	9.90	2376193-2
POS	DIM A	DIM B	PART NO.

THIS DRAWING IS A CONTROLLED DOCUMENT.		DWN Lanboo Zhang 07AUG2020		
DIMENSIONS: mm		CHK Winter Wang 11AUG2020		
TOLERANCES UNLESS OTHERWISE SPECIFIED:		APVD Federico Lupo 12AUG2020	NAME ASSEMBLY	
0 PLC ±-		PRODUCT SPEC 108-106516	-	
1 PLC ±0.6		APPLICATION SPEC 114-106277	SIZE A3	CAGE CODE 00779
2 PLC ±0.2		WEIGHT -	DRAWING NO C=C-2325926	RESTRICTED TO -
3 PLC ±-		CUSTOMER DRAWING	SCALE 1:1	SHEET 2 OF 2
4 PLC ±-			REV 1	
ANGLES ±2				
FINISH -				
MATERIAL -				

单击下面可查看定价，库存，交付和生命周期等信息

[>>TE Connectivity\(泰科\)](#)