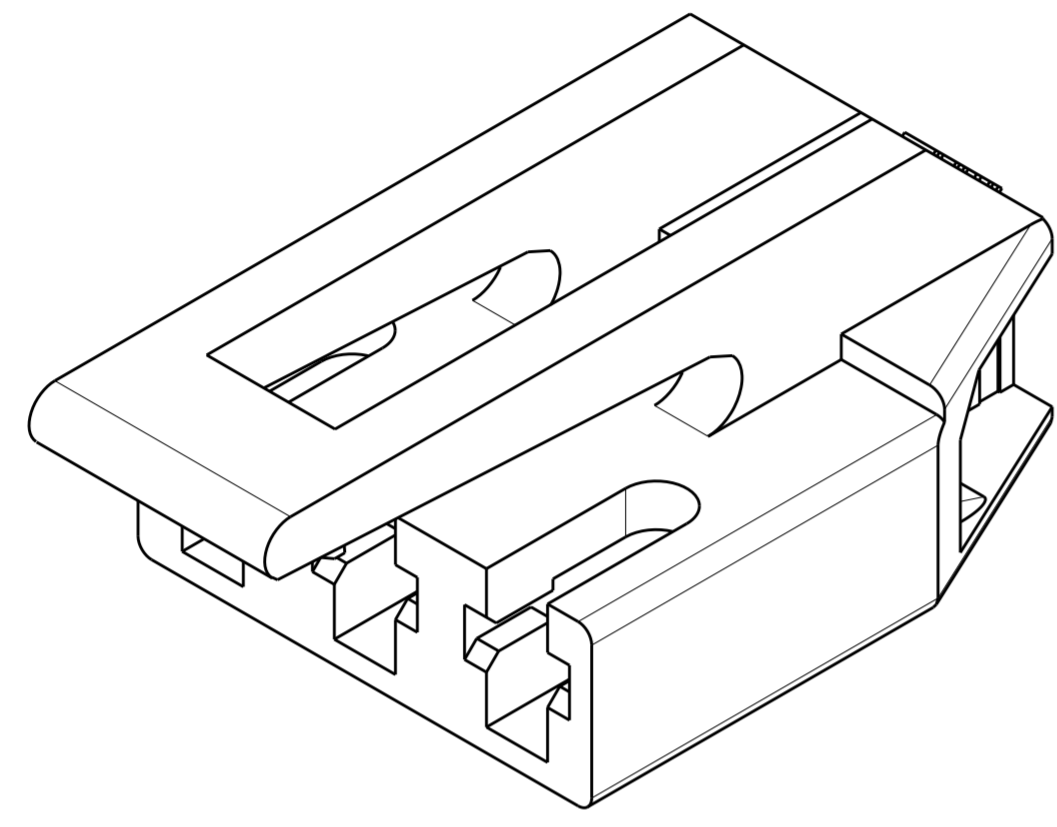


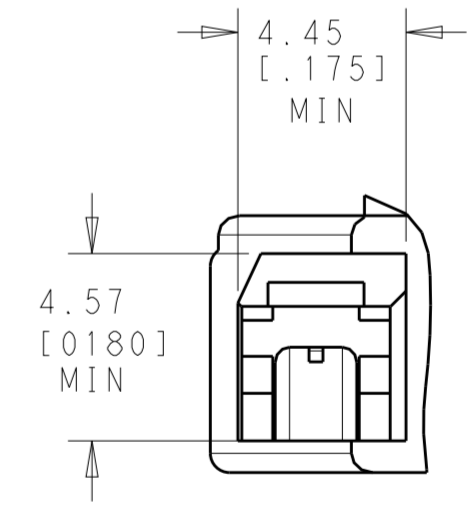
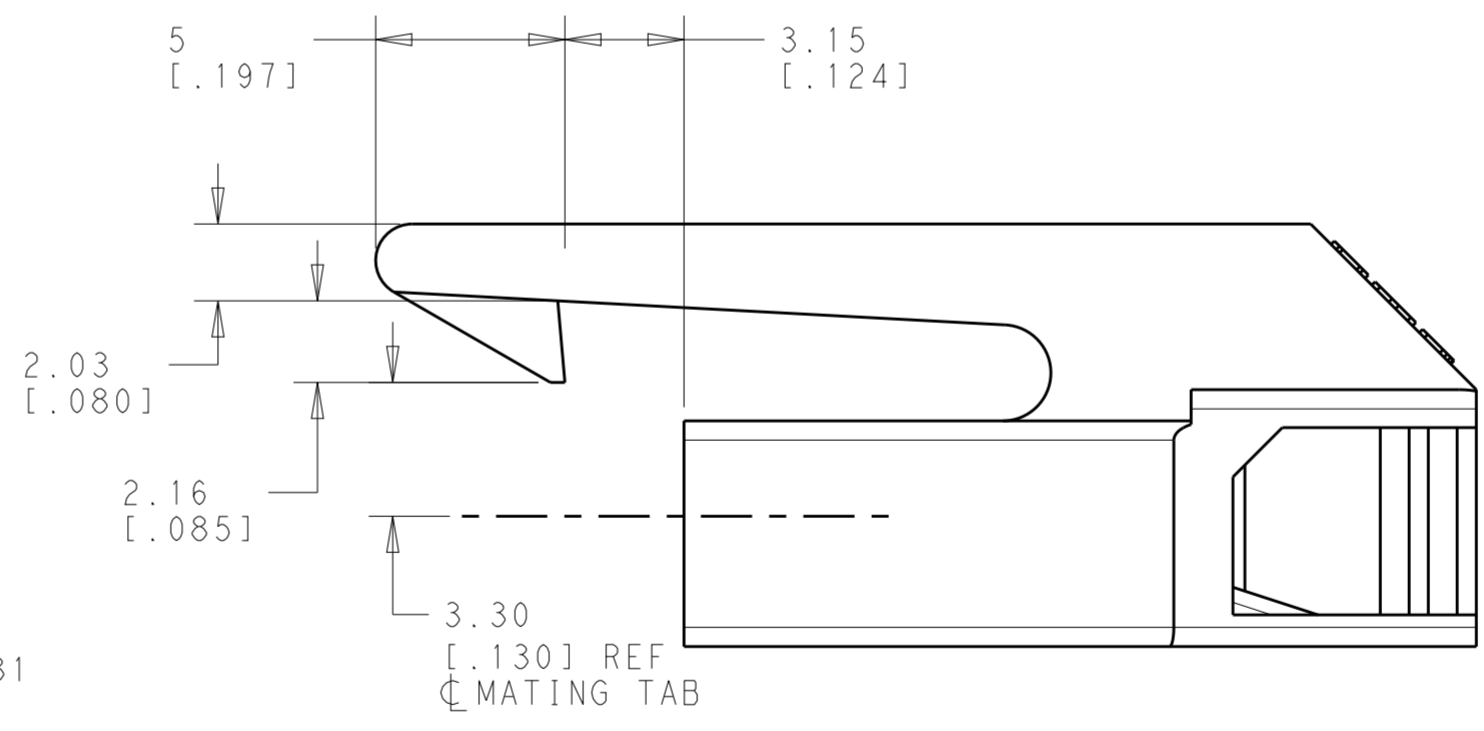
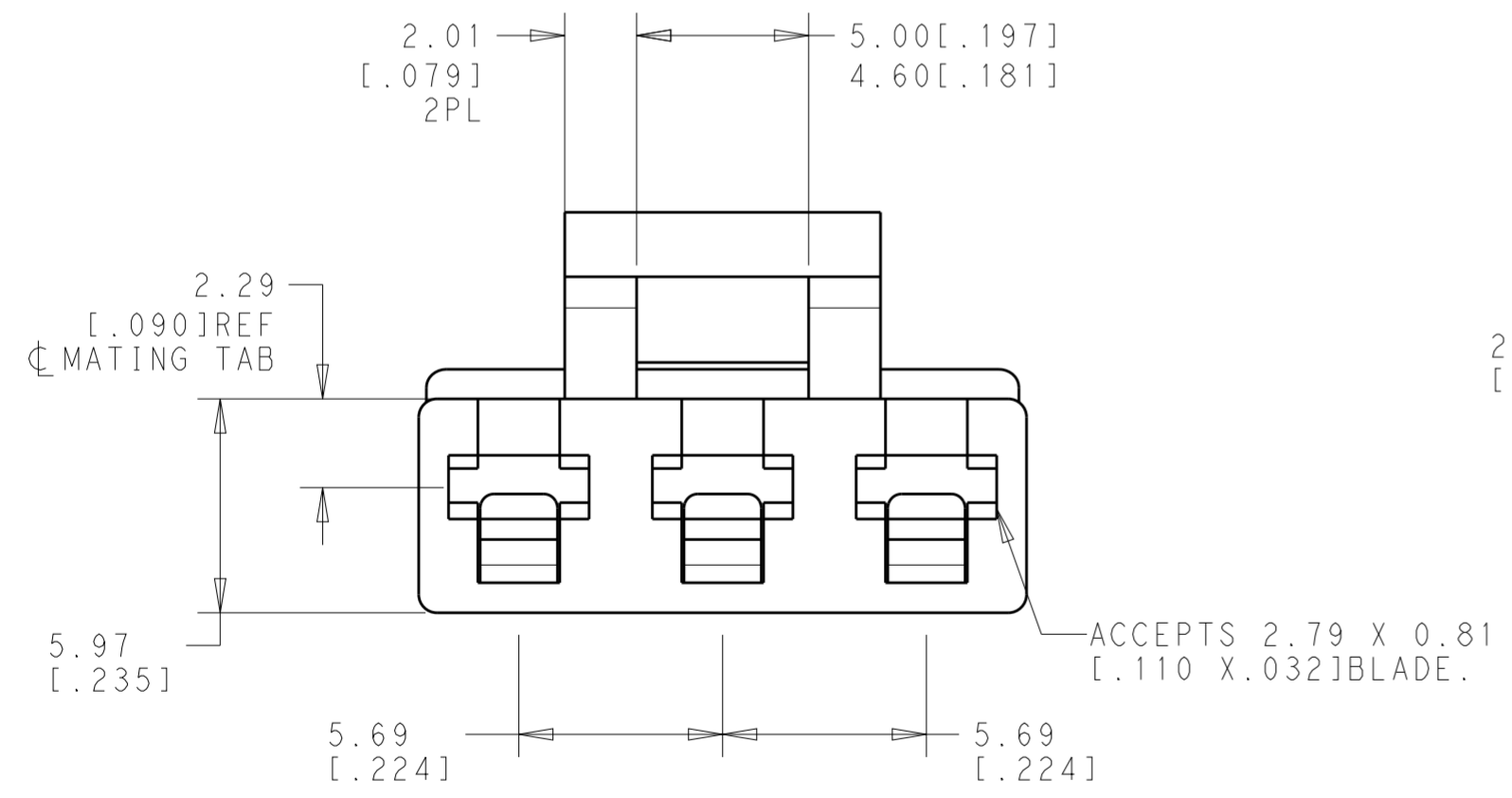
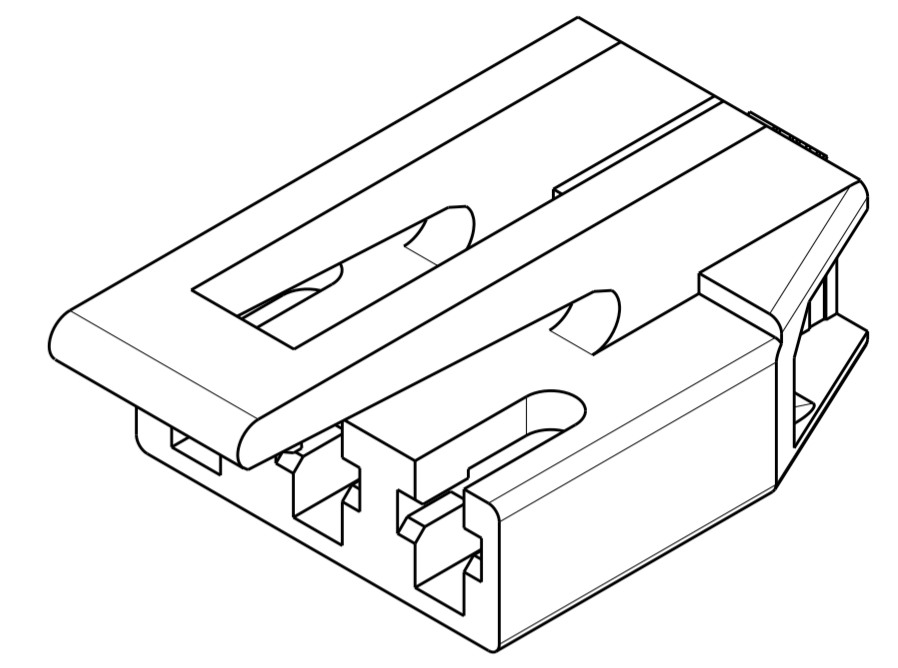
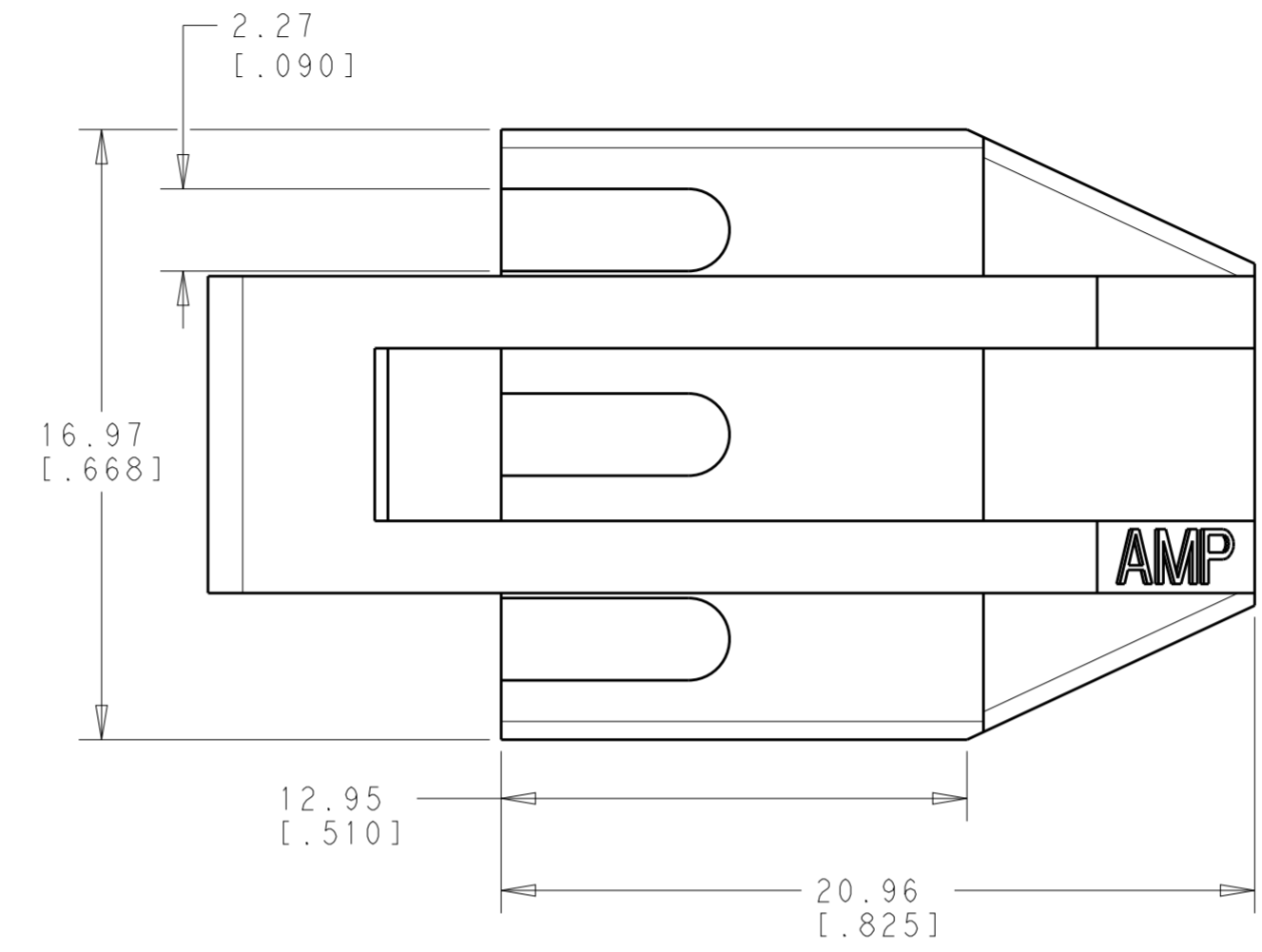
THIS DRAWING IS UNPUBLISHED. RELEASED FOR PUBLICATION 20  
 © COPYRIGHT 20 BY - ALL RIGHTS RESERVED.

REVISIONS				
P	LTR	DESCRIPTION	DATE	APVD
G		CONVERTED TO CAD PER ECO-13-015250	01OCT2013	KH MD

1. DIMENSIONS IN BRACKETS ARE IN INCHES.  
 2. TERMINAL RETENTION 12LBS MINIMUM AS MEASURED WITH GAUGE # 100716-147.



SCALE 5:1



MATERIAL	COLOUR	PART NO
NYLON	NATURAL	520219-5
PBT	NATURAL	520219-4
NYLON 6/6	BLACK	520219-2
NYLON 6/6	NATURAL	520219-1

THIS DRAWING IS A CONTROLLED DOCUMENT.

DIMENSIONS: INCHES	TOLERANCES UNLESS OTHERWISE SPECIFIED:	DWN 01 OCT 2013 KIRAN HOLAL	 TE Connectivity NAME 110 SERIES FASTON RECEPTACLE HOUSING - 3 CIRCUIT
	0 PLC ±	CHK 01 OCT 2013 DIDONATO MICHAEL F	
	1 PLC ±	APVD 01 OCT 2013 DIDONATO MICHAEL F	
	2 PLC ±0.38 [.015]	PRODUCT SPEC -	
MATERIAL SEE TABLE	3 PLC ±	APPLICATION SPEC -	SIZE A200779
	4 PLC ±	WEIGHT -	CAGE CODE C-520219
	ANGLES ±	Customer Drawing	DRAWING NO 520219
	FINISH -	SCALE 5:1	SHEET 1 OF 1
			REV G

单击下面可查看定价，库存，交付和生命周期等信息

[>>TE Connectivity\(泰科\)](#)