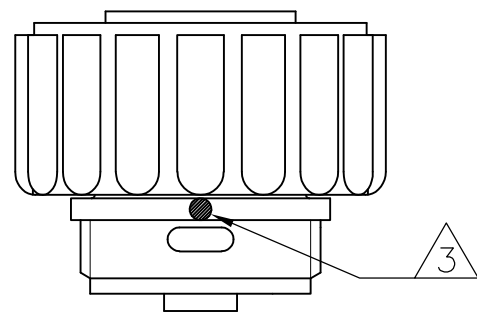
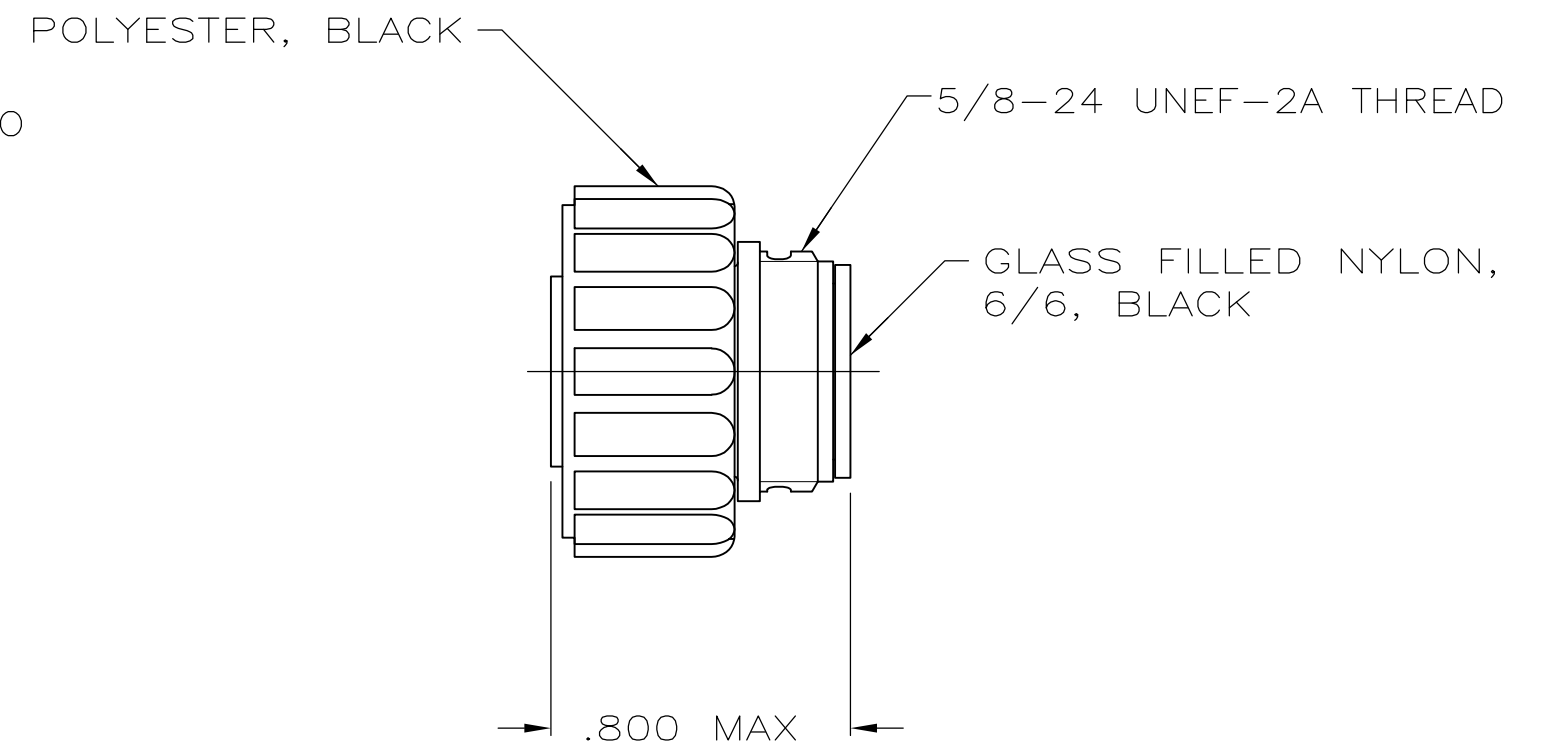
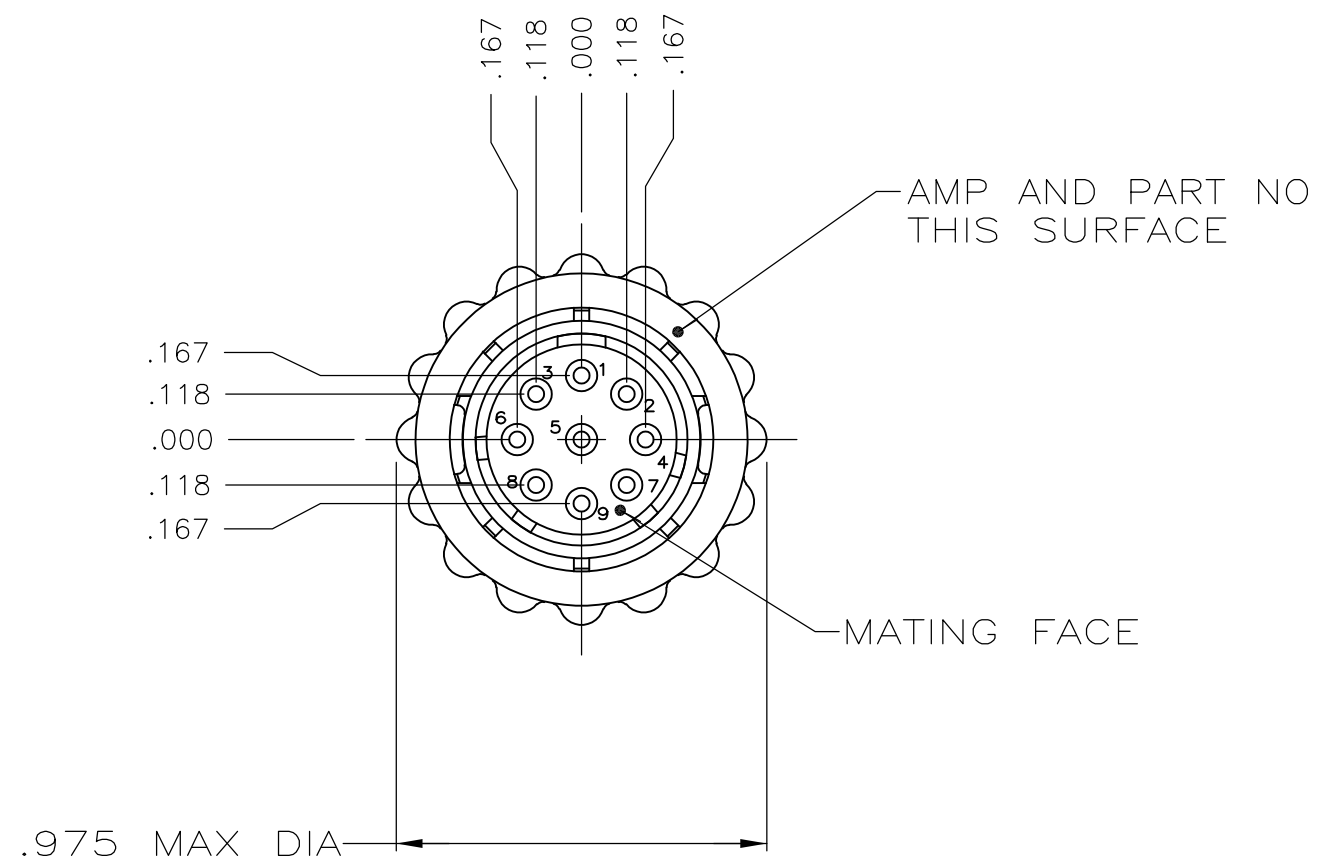


THIS DRAWING IS UNPUBLISHED. RELEASED FOR PUBLICATION
 © COPYRIGHT - By - ALL RIGHTS RESERVED.

REVISIONS				
P	LTR	DESCRIPTION	DATE	APVD
	G3	REVISED PER ECO-16-004800	10SEP2016	NK MZ



3	OBSOLETE	STANDARD	206485-3
5	OBSOLETE	SMALL PACK	206485-2
		STANDARD	206485-1
		PACKAGING	PART NUMBER

- ① CONTACT CAVITIES IDENTIFIED BY CHARACTERS ON FRONT AND REAR FACES OF CONNECTOR.
- 2. WILL ACCEPT (9) SIZE 20 SOCKET CONTACTS.
- ③ WHITE DOT ONLY APPEARS ON 206485-3 ASSEMBLY.
- ④ PRELIMINARY PART NUMBER.
- ⑤ OBSOLETE PARTS: OBSOLETE CIS STREAMLINING PER D.RENAUD/D.SINISI

THIS DRAWING IS A CONTROLLED DOCUMENT.		DWN A.STAUB BG 4/8/91	STE TE Connectivity											
DIMENSIONS: INCHES		CHK W.G.LENKER 7-23-92												
TOLERANCES UNLESS OTHERWISE SPECIFIED:		APVD -	PLUG ASSEMBLY, STD SEX, SERIES 2, 11-9, CPC											
<table border="0"> <tr><td>0 PLC</td><td>± -</td></tr> <tr><td>1 PLC</td><td>± -</td></tr> <tr><td>2 PLC</td><td>± -</td></tr> <tr><td>3 PLC</td><td>± .005</td></tr> <tr><td>4 PLC</td><td>± -</td></tr> <tr><td>ANGLES</td><td>± -</td></tr> </table>		0 PLC			± -	1 PLC	± -	2 PLC	± -	3 PLC	± .005	4 PLC	± -	ANGLES
0 PLC	± -													
1 PLC	± -													
2 PLC	± -													
3 PLC	± .005													
4 PLC	± -													
ANGLES	± -													
MATERIAL SEE		FINISH -	NAME	SIZE A3										
		WEIGHT	APPLICATION SPEC	CAGE CODE 00779										
			RESTRICTED TO	DRAWING NO C-206485										
			CUSTOMER DRAWING	SCALE 2:1										
				SHEET 1 OF 1										
				REV G3										

单击下面可查看定价，库存，交付和生命周期等信息

[>>TE Connectivity\(泰科\)](#)