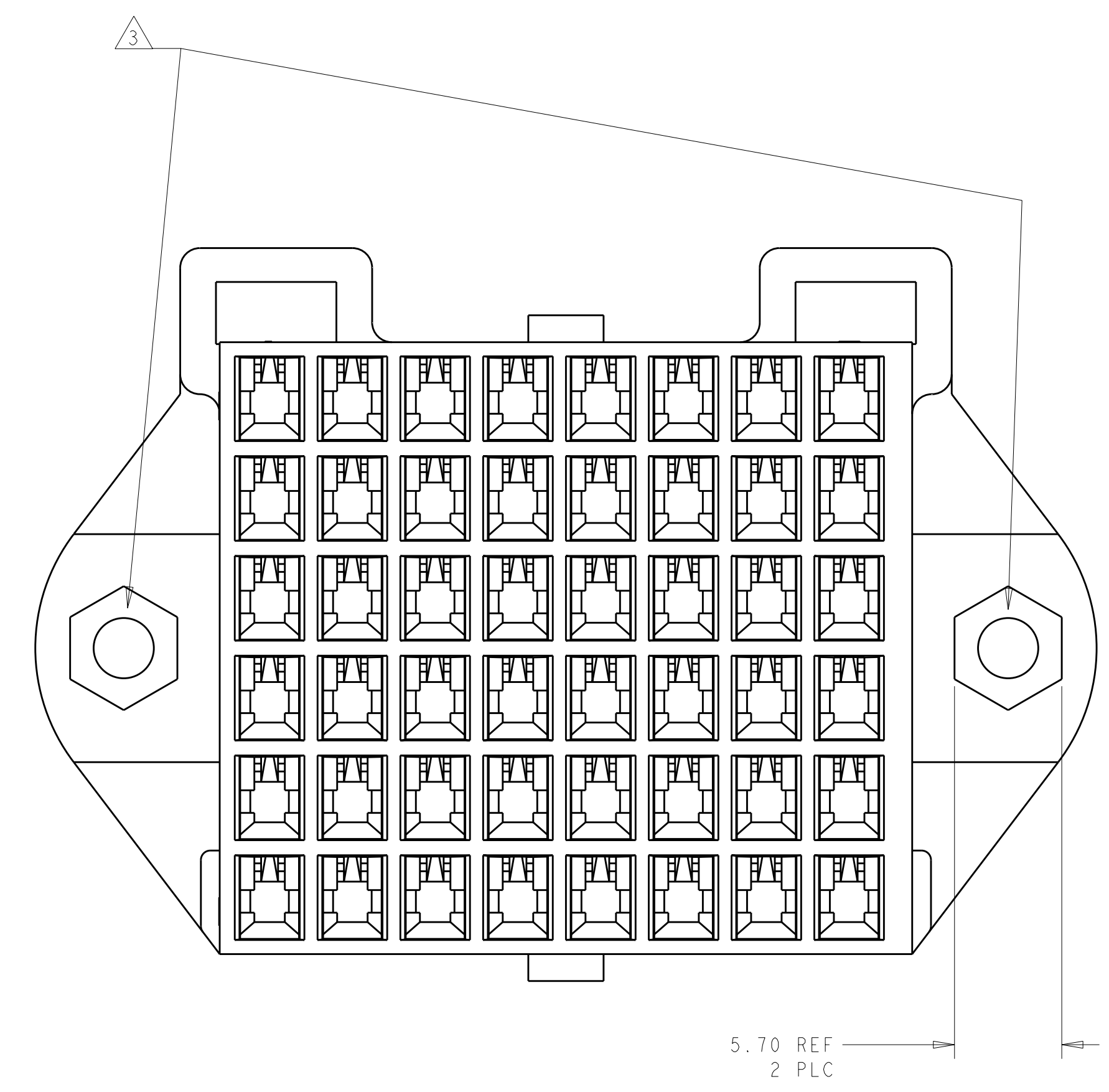
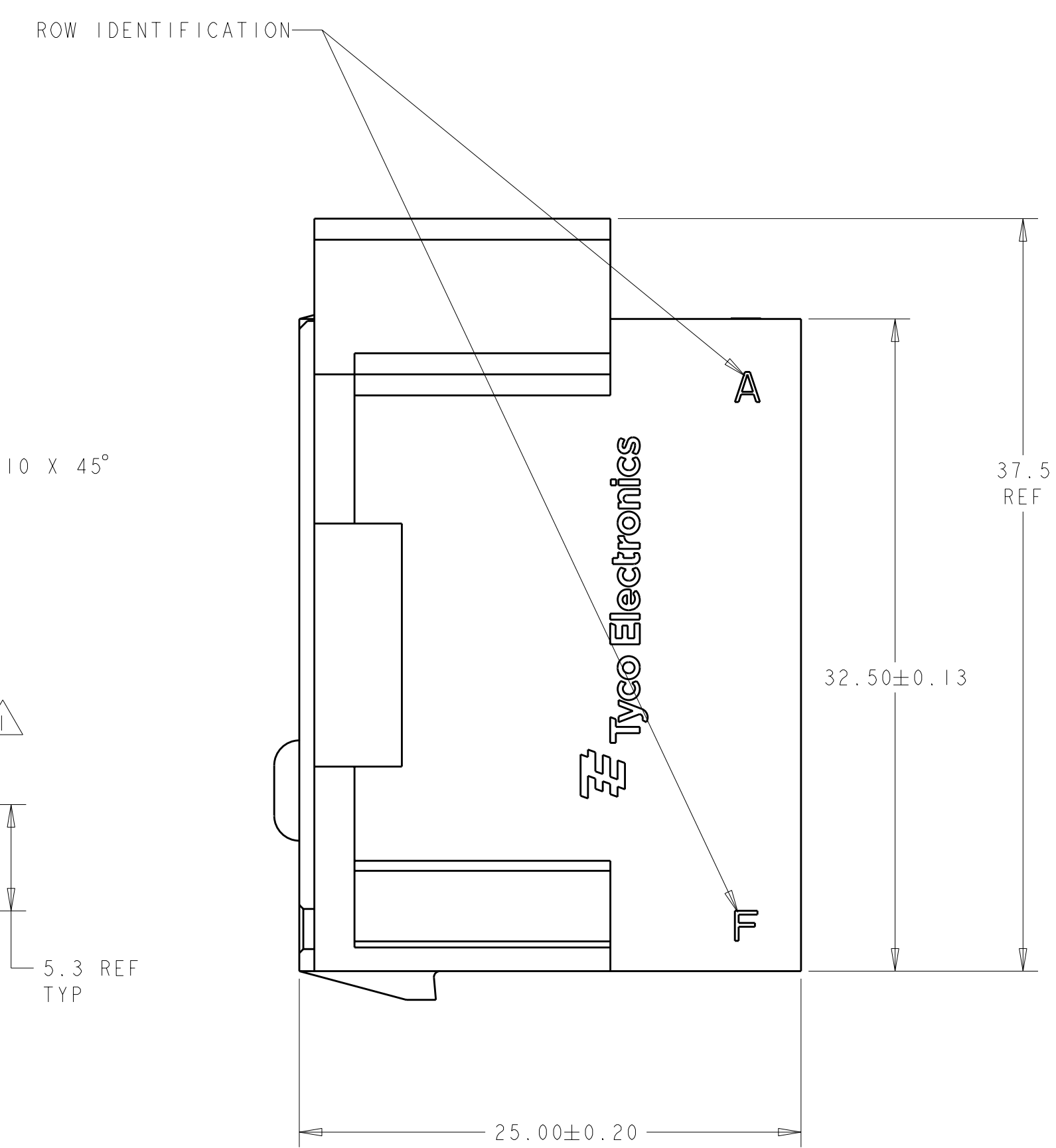
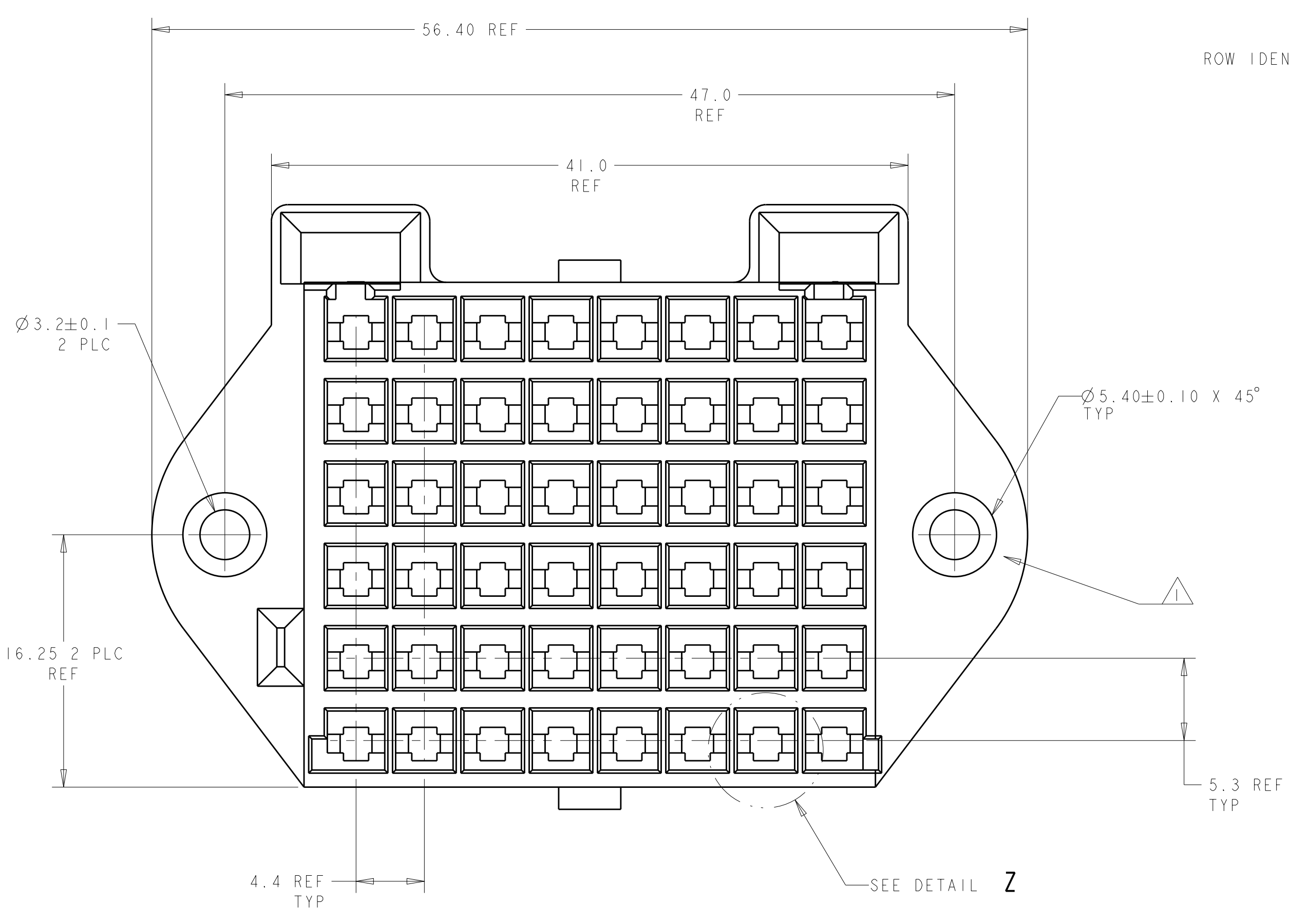
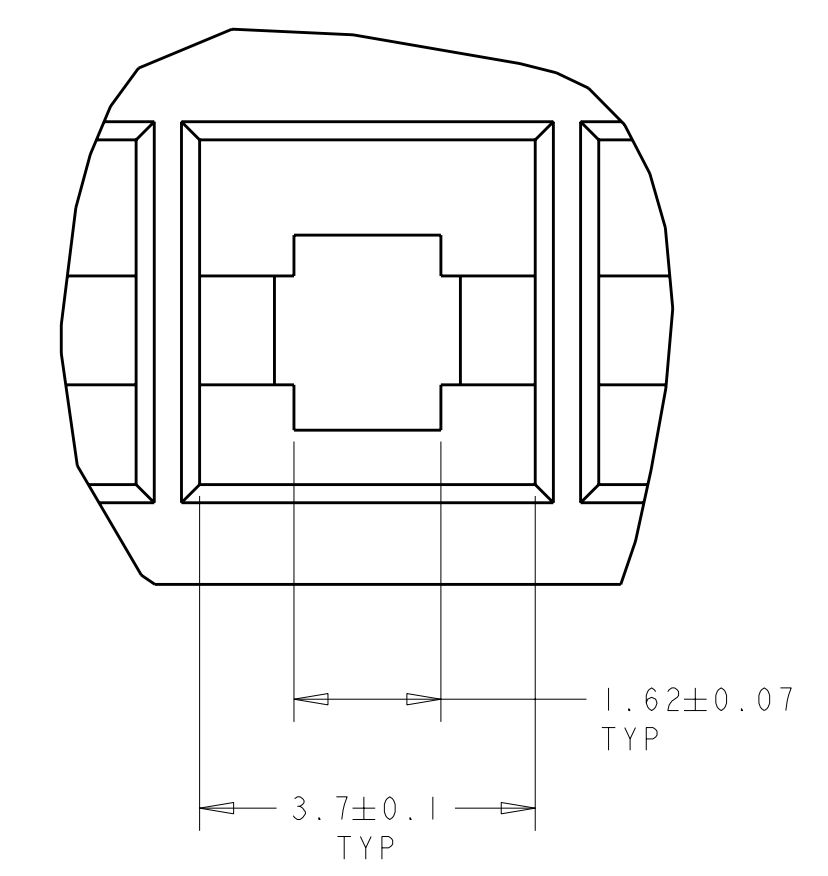
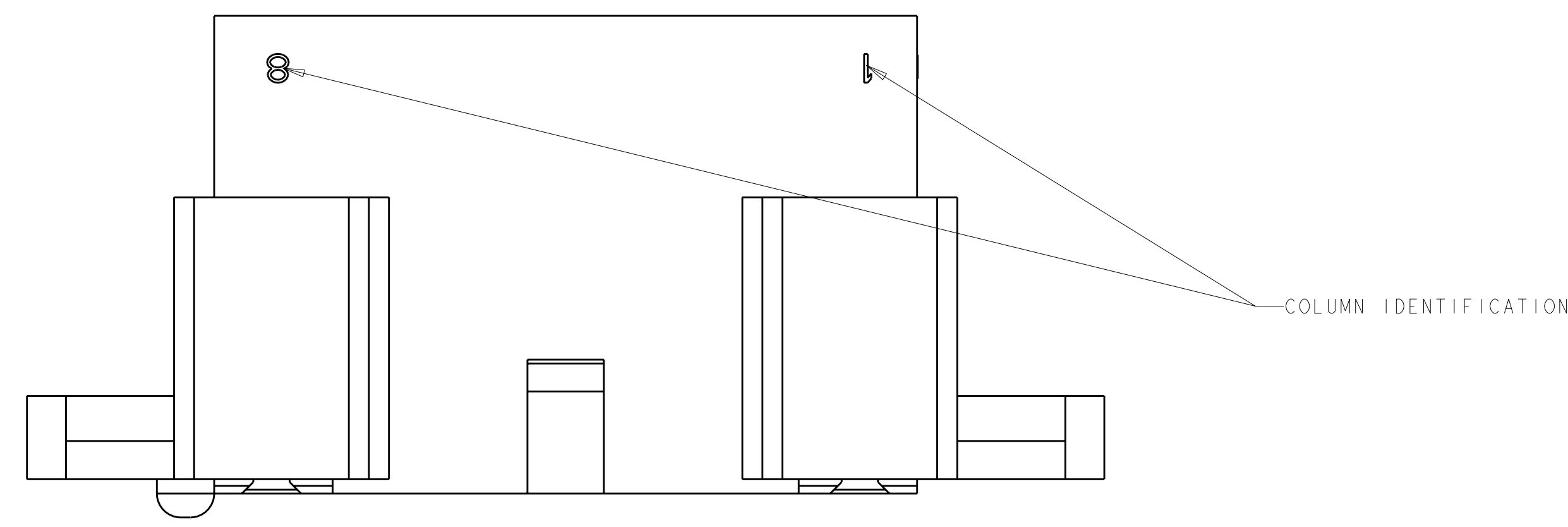


LOC	DIST	REVISIONS					
AD	00	P	LTN	DESCRIPTION	DATE	DWN	APVD
		A		RELEASED PER ECO-07-017382	01AUG2007	WS	AF
		B		REV PER ECO-07-018771	09AUG2007	WS	AF



- 1 PBT UL94V-0.
- 2 ALL SHARP CORNERS ON PANEL CUT-OUT MAY HAVE A R0.1 MAX.
- 3 ALLOWS FOR A STYLE I M3 HEX NUT.

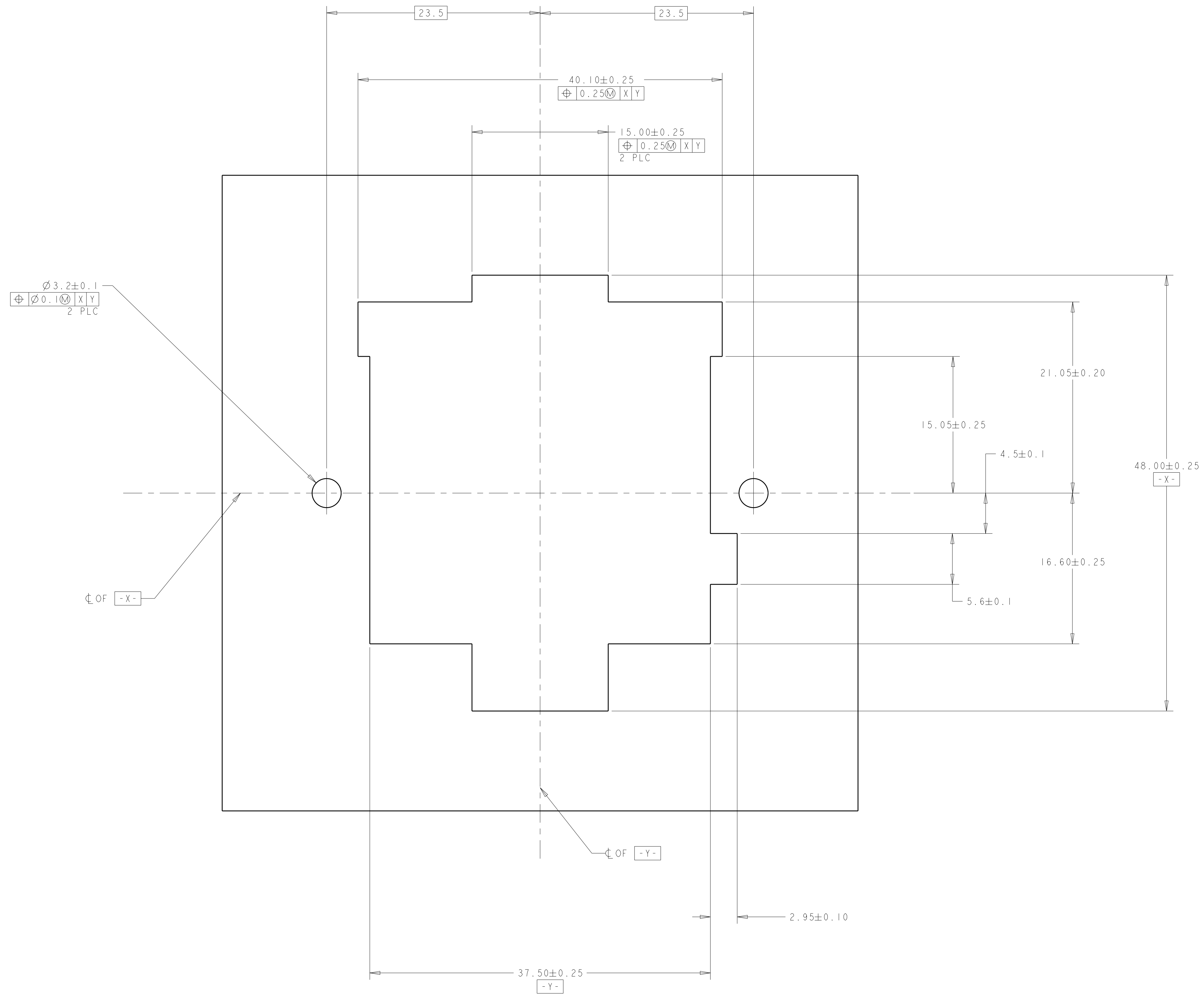
**THIS PRODUCT HAS NOT COMPLETED
VALIDATION TESTING**

1934142-1
PART NUMBER

DIMENSIONS: mm		TOLERANCES UNLESS OTHERWISE SPECIFIED: 0 PLC ± 1 PLC ± 2 PLC ± 3 PLC ± 4 PLC ± ANGLES ± FINISH ±		DWN C. RITTER 01FEB2006 CHK - 01FEB2006 APVD -	Tyco Electronics Harrisburg, PA 17105-3608
MATERIAL - FINISH -		PRODUCT SPEC 108-2248 APPLICATION SPEC 114-13195 WEIGHT -		NAME 48 POSITION PLUG HOUSING AMP-DUAC UPC SIZE CAGE CODE DRAWING NO. A100779C=1934142 RESTRICTED TO -	
CUSTOMER DRAWING				SCALE 1:1	SHEET 1 OF 2 REV B

LOC	DIST	REV	DATE	BY	APPD
AD	00				

REVISIONS				
REV	DATE	DESCRIPTION	BY	APPD
-	-	SEE SHEET 1	-	-



THIS PRODUCT HAS NOT COMPLETED
 VALIDATION TESTING

DIMENSIONS: mm		TOLERANCES UNLESS OTHERWISE SPECIFIED: 0 PLC ± 1 PLC ± 2 PLC ± 3 PLC ± 4 PLC ± ANGLES ± FINISH ±		DWN C. RITTER 01FEB2006 CHK - 01FEB2006 APVD -	Tyco Electronics Harrisburg, PA 17105-3608
MATERIAL - FINISH -		PRODUCT SPEC 108-2248 APPLICATION SPEC 114-13195 WEIGHT -		NAME 48 POSITION PLUG HOUSING AMP-DUAC UPC SIZE CAGE CODE DRAWING NO. RESTRICTED TO A 100779 C=1934142 -	
CUSTOMER DRAWING				SCALE 4:1	SHEET 2 OF 2 REV B

单击下面可查看定价，库存，交付和生命周期等信息

[>>TE Connectivity\(泰科\)](#)