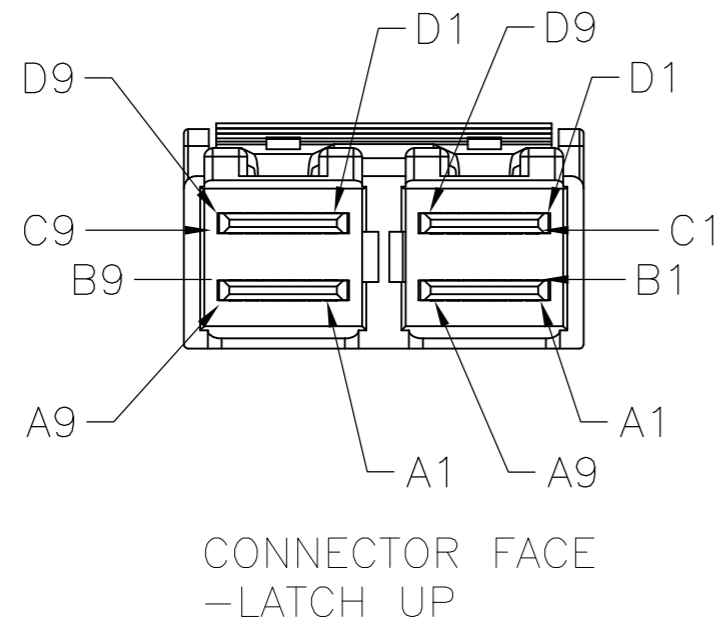
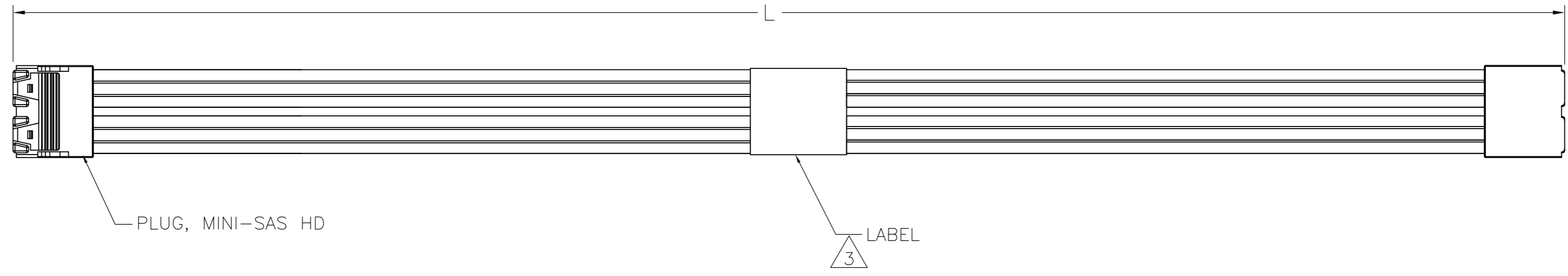
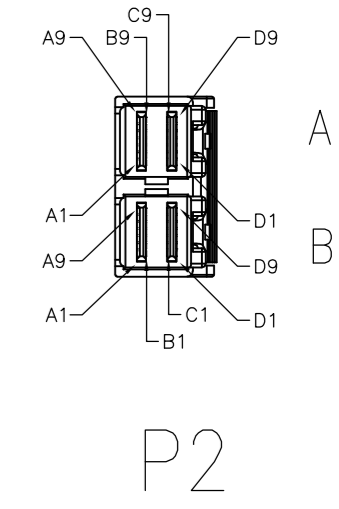
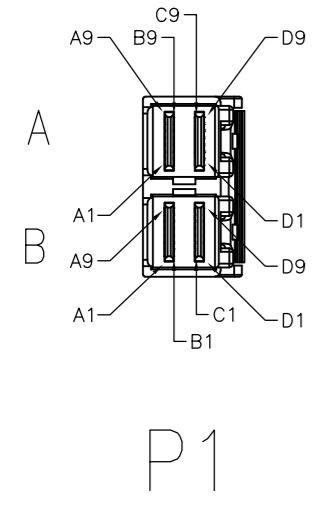
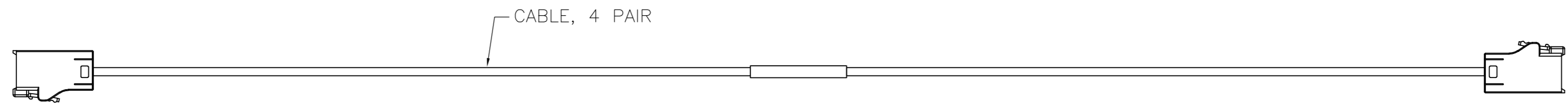


THIS DRAWING IS UNPUBLISHED. RELEASED FOR PUBLICATION
 © COPYRIGHT - By - ALL RIGHTS RESERVED.

LOC	DIST	REVISIONS			
P	LTR	DESCRIPTION	DATE	DWN	APVD
GP	00	A	INITIAL RELEASE	07JUL2015	MY GG



- ASSEMBLY TO BE 100% TESTED FOR CONTINUITY, SHORTS, AND OPENS, CABLES ASSEMBLYS ARE ALSO TO BE 100% TESTED FOR SIGNAL INTEGRITY, TO SAS 3.0 REQUIREMENTS.
- ROHS AND REACH COMPLIANCE: PRODUCT AND PROCESSING MEETS REQUIREMENTS OF TE SPECIFICATION TEC-138-702.

3 LABEL CENTERED AND LABEL INFORMATION AS BELOW:

	2820339-[]	TE LOGO AND P/N
_____ METERS		LENGTH
MADE IN _____		COUNTRY OF ORIGIN
YYWWSSSS		YYWW IS DATE CODE, SSSS IS SERIAL
		BAR FOR YYWWSSSS

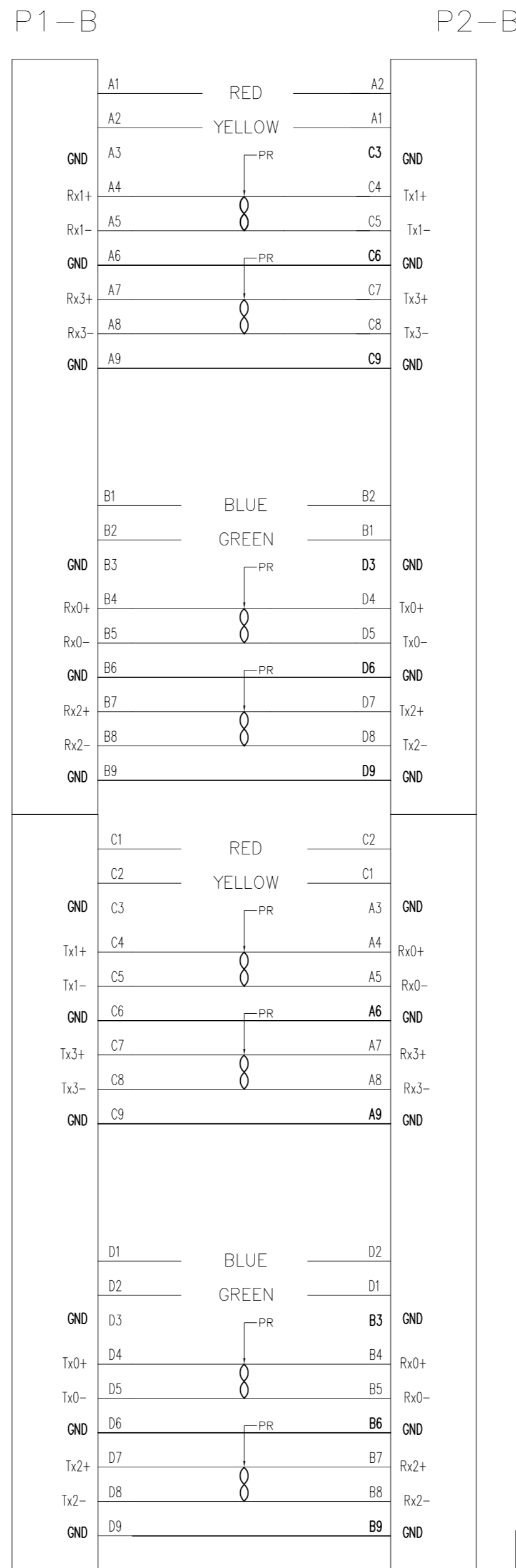
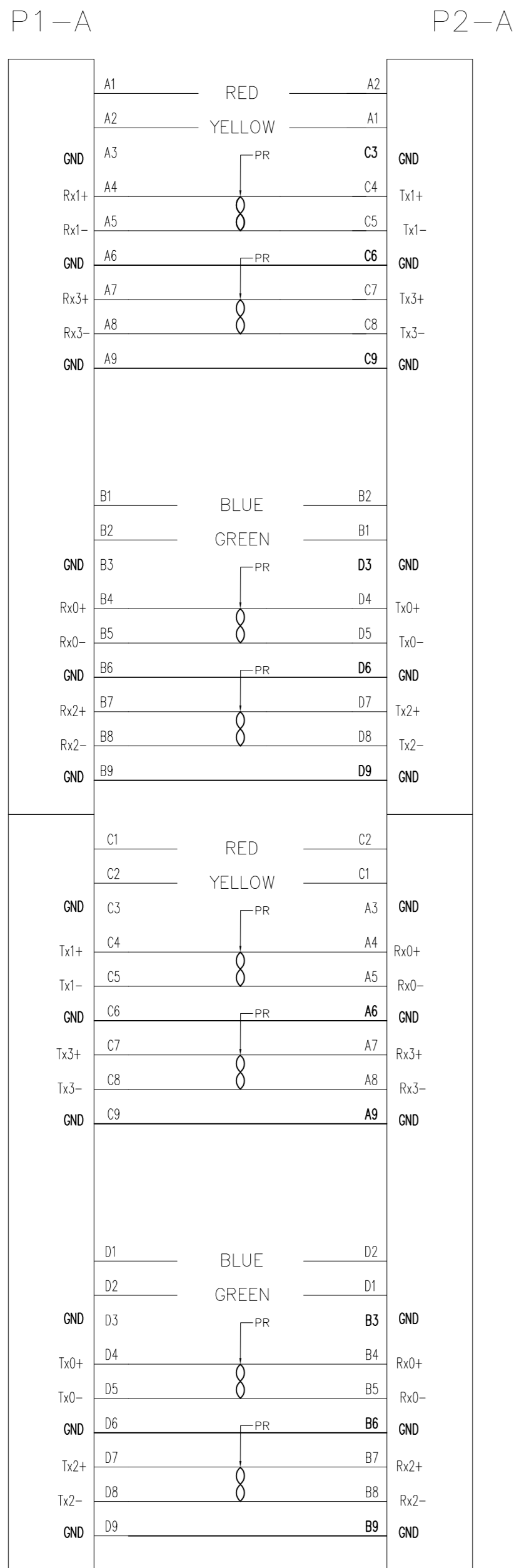
4. SEE SHEET #2 FOR WIRING SCHEMATIC.

500 +25 -0	2820339-2
300 +25 -0	2820339-1
"L"[MM]	TE P/N

THIS DRAWING IS A CONTROLLED DOCUMENT.		DWN	16/JUN/2014	TE Connectivity
DIMENSIONS: mm		M.YI	16/JUN/2014	
TOLERANCES UNLESS OTHERWISE SPECIFIED:		CHK	16/JUN/2014	
0 PLC ± -		G.GUTGOLD	16/JUN/2014	
1 PLC ± -		APVD	16/JUN/2014	NAME
2 PLC ± -		G.GUTGOLD		C/A, INTERNAL HD MINI SAS, STR TO STR
3 PLC ± -		PRODUCT SPEC		85 OHMS, 8X, HALOGENATED
4 PLC ± -		APPLICATION SPEC		
ANGLES ± -		SIZE	A2	CAGE CODE
FINISH		WEIGHT	-	00779
MATERIAL		CUSTOMER DRAWING		DRAWING NO
		SCALE		N.T.S.
		SHEET		1 of 2
		REV		A

THIS DRAWING IS UNPUBLISHED. RELEASED FOR PUBLICATION
 © COPYRIGHT - By - ALL RIGHTS RESERVED.

LOC	DIST	REVISIONS					
GP	00	P	LTR	DESCRIPTION	DATE	DWN	APVD
		-		SEE SHEET 1		-	-



WIRING PATTERN

THIS DRAWING IS A CONTROLLED DOCUMENT.		DWN M.YI 16/JUN/2014		TE Connectivity	
DIMENSIONS: mm		CHK G.GUTGOLD 16/JUN/2014		NAME C/A, INTERNAL HD MINI SAS, STR TO STR 85 OHMS, 8X, HALOGENATED	
TOLERANCES UNLESS OTHERWISE SPECIFIED:		APVD G.GUTGOLD 16/JUN/2014	PRODUCT SPEC		
0 PLC ± -		APPLICATION SPEC			
1 PLC ± -		WEIGHT -			
2 PLC ± -		SIZE A2		CAGE CODE 00779	DRAWING NO C=2820339
3 PLC ± -		RESTRICTED TO			
4 PLC ± -		SCALE N.T.S.			
ANGLES ± -		SHEET 2 OF 2			
MATERIAL -		REV A			
FINISH -		CUSTOMER DRAWING			

单击下面可查看定价，库存，交付和生命周期等信息

[>>TE Connectivity\(泰科\)](#)