

4

3

2

1

THIS DRAWING IS UNPUBLISHED.

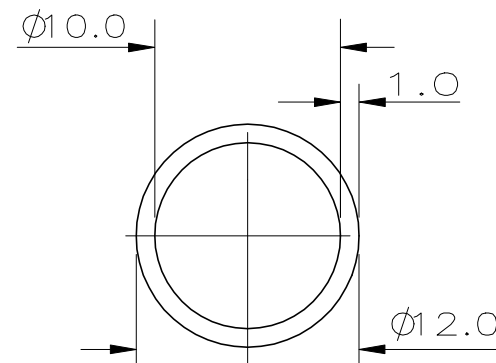
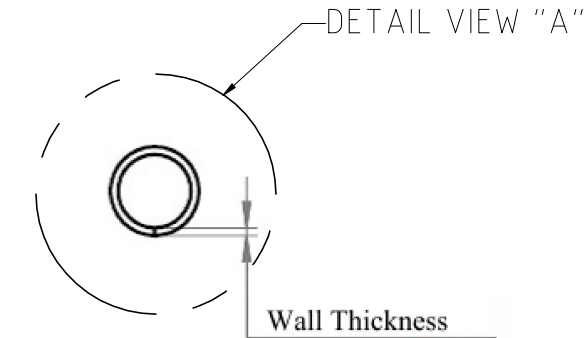
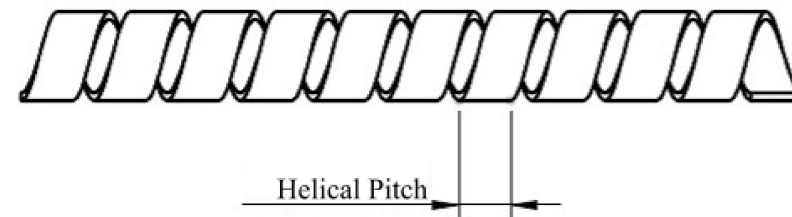
RELEASED FOR PUBLICATION

REVISIONS

© COPYRIGHT - TE Connectivity Ltd.

ALL RIGHTS RESERVED.

P	LTR	DESCRIPTION	DATE	DWN	APVD
	B	ECR-19-002279	22FEB2019	GK	LS



BUNDLE RANGE : 10 TO 100mm DIA

ALL DIMENSIONS ARE NOMINAL, UNLESS WHERE SPECIFIED.

DETAIL "A"  
SCALE 1:2

TE PART NO	DESCRIPTION	LENGTH (M)	HELICAL PITCH (mm)
142831-1	TUBING SPIRAP 500002-1	15	16±2

THIS DRAWING IS A CONTROLLED DOCUMENT.		DWN O. LEMPEREUR 29-OCT-97	<b>TE</b> TE Connectivity	
DIMENSIONS: mm		CHK D.DURAND 07-NOV-97		
TOLERANCES UNLESS OTHERWISE SPECIFIED:		APVD G.ROBERT 07-NOV-97	NAME SPIRAP-12-NAT-PE	
<ul style="list-style-type: none"> <li>0 PLC ± -</li> <li>1 PLC ± 0.3</li> <li>2 PLC ± -</li> <li>3 PLC ± -</li> <li>4 PLC ± -</li> <li>ANGLES ± -</li> </ul>		PRODUCT SPEC -	RESTRICTED TO -	
MATERIAL POLYETHYLENE	FINISH NATURAL	APPLICATION SPEC -	SIZE A3	CAGE CODE 00779
		WEIGHT -	DRAWING NO 142831	REV B
CUSTOMER DRAWING			SCALE 1:1	SHEET 1 of 1

单击下面可查看定价，库存，交付和生命周期等信息

[>>TE Connectivity\(泰科\)](#)