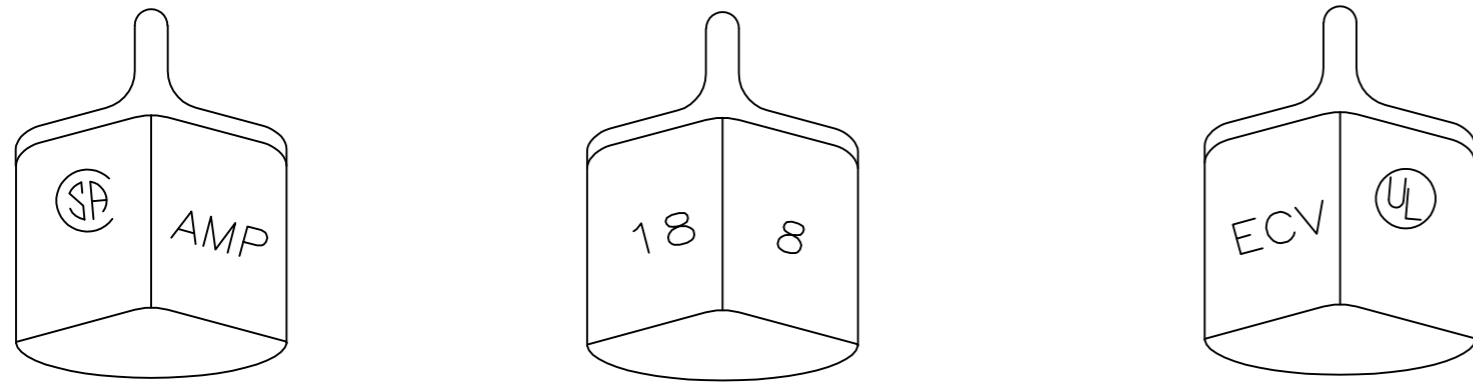


THIS DRAWING IS UNPUBLISHED. RELEASED FOR PUBLICATION  
 © COPYRIGHT - BY TYCO ELECTRONICS CORPORATION. ALL RIGHTS RESERVED.

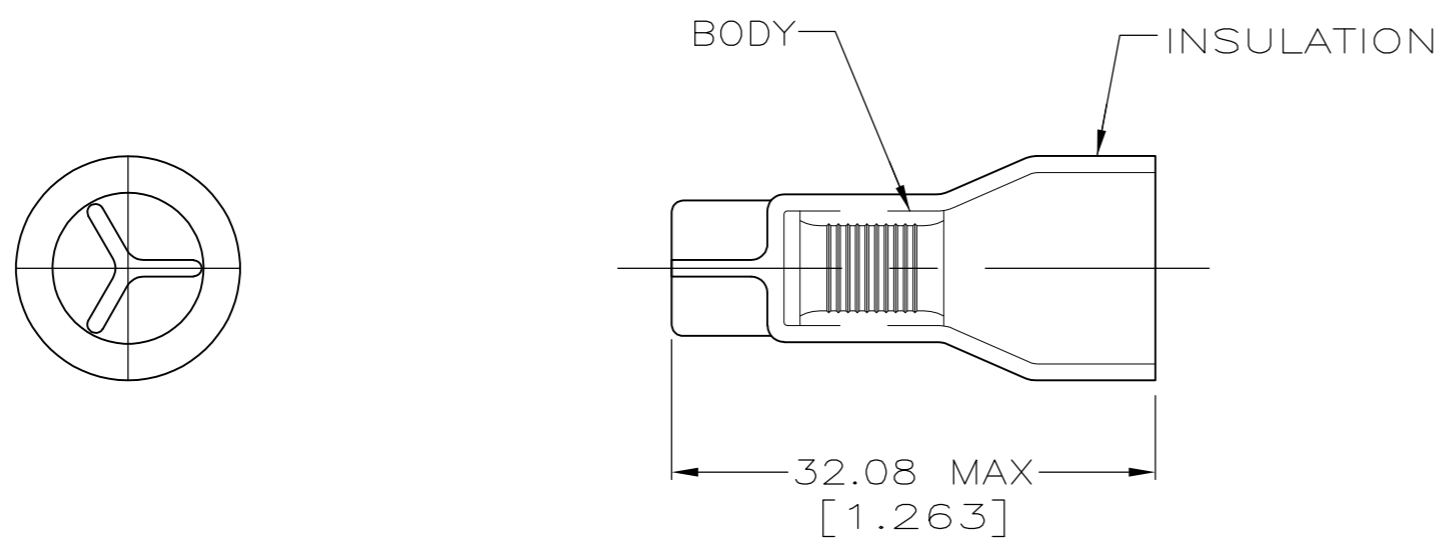
LOC	DIST	REVISIONS					
		P	LTR	DESCRIPTION	DATE	DWN	APVD
G	14		E	REVISED PER ECR-08-016717	08JUL08	HMR	TM

- 1 FOR 12.70 [.500] MAX WIRE INSULATION DIA
- △ 2 MATERIAL: BODY: COPPER PER ASTM B152  
INSULATION: PVC  
COLOR: BLACK
- △ 3 FINISH: BODY: TIN PLATE PER ASTM B-545



DETAIL OF STAMPING

<b>AMP</b> WIRE RANGE	Listed	LR7189 Certified
18-8 AWG SOLID OR STRANDED	18-8 AWG SOLID OR STRANDED	18-8 AWG SOLID OR STRANDED



-	LOOSE PIECE	55808-1
QTY	DESCRIPTION	PART NO

**AMP INCORPORATED**  
**CUSTOMER SERVICE SYSTEMS**

FOR ADDITIONAL PRODUCT INFORMATION OR COPIES OF DRAWINGS AND TECHNICAL DOCUMENTS  
 PRODUCT INFORMATION CENTER  
 1-800-522-6752

FOR APPLICATION TOOLING INFORMATION  
 TOOLING ASSISTANCE CENTER  
 1-800-722-1111

FOR ORDER ENTRY  
 1-800-526-5142

MAX RECOMMENDED OPERATING TEMPERATURE:  
 105°C MAX

VOLTAGE RATING:  
 600V MAX (BUILDING & WIRING)  
 1000V MAX (FIXTURES & SIGNS)

CIRCULAR MIL AREA:  
 5.23-10.55mm² [10320-20620]  
 SOLID OR STRANDED

THIS DRAWING IS A CONTROLLED DOCUMENT.

DIMENSIONS:	TOLERANCES UNLESS OTHERWISE SPECIFIED:
INCHES	
	0 PLC ± -
	1 PLC ± -
	2 PLC ± 0.20[.008]
	3 PLC ± -
	4 PLC ± -
	ANGLES ± -

MATERIAL: △ 2 FINISH: △ 3

DWN: G KRUPER 12/92  
 CHK: R HERSEY 1/93  
 APVD: M ELLIS 1/93

**Tyco Electronics** Tyco Electronics Corporation  
 Harrisburg, Pa 17105-3608

NAME: SPLICE, WIRE, CLOSED END

SIZE	CAGE CODE	DRAWING NO	RESTRICTED TO
A3	00779	C-55808	-

CUSTOMER DRAWING SCALE: 2:1 SHEET 1 OF 1 REV E

单击下面可查看定价，库存，交付和生命周期等信息

[>>TE Connectivity\(泰科\)](#)