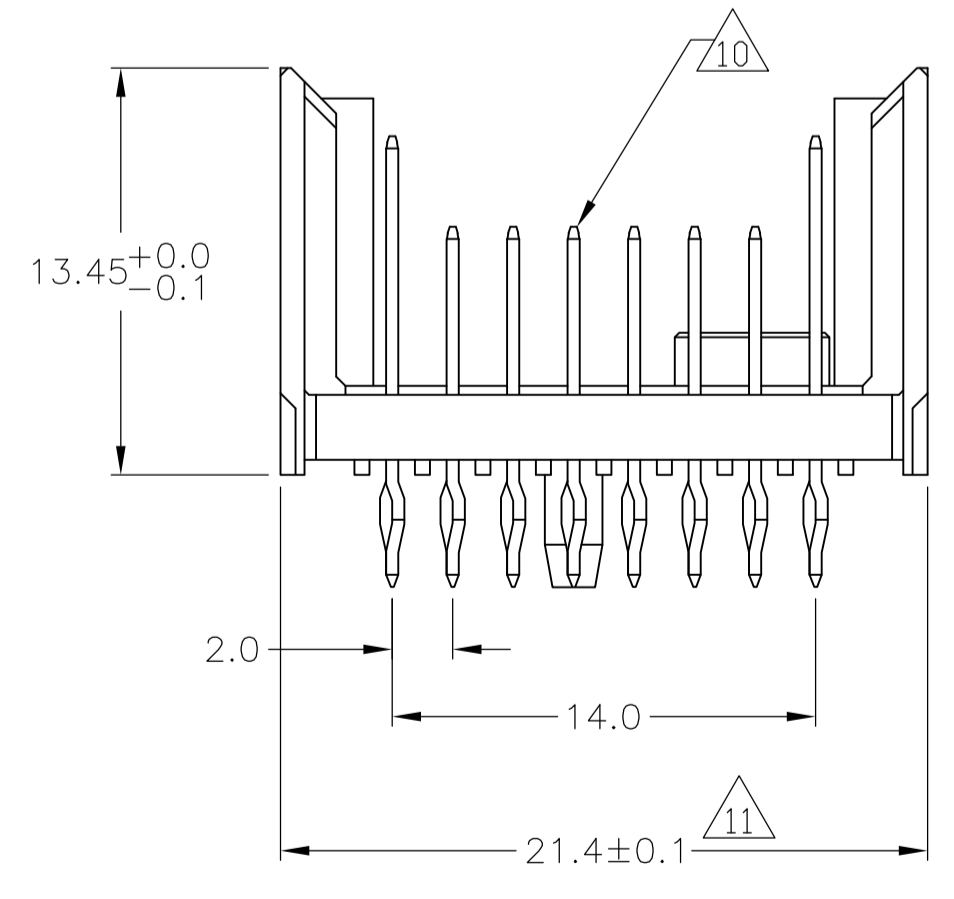
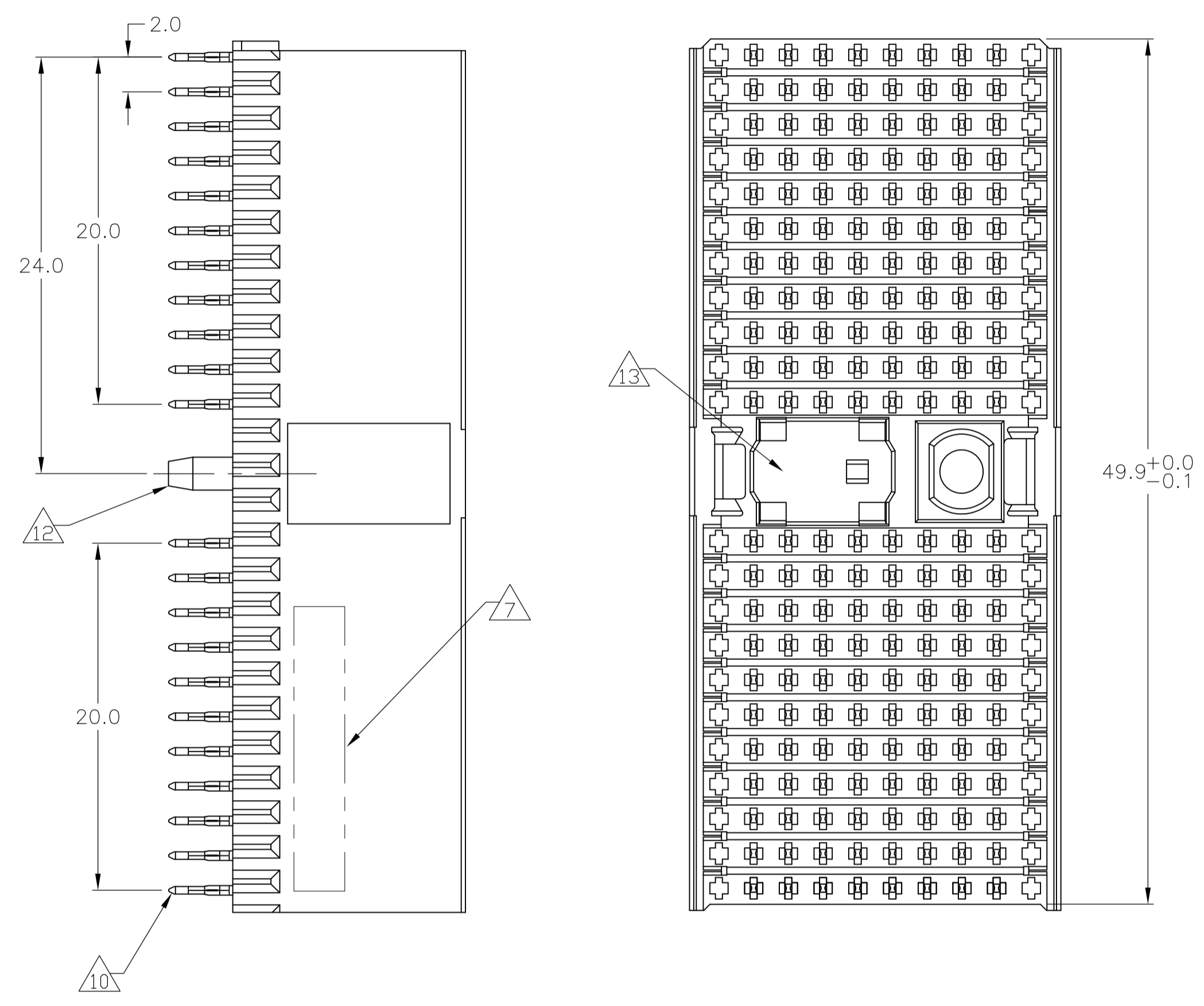
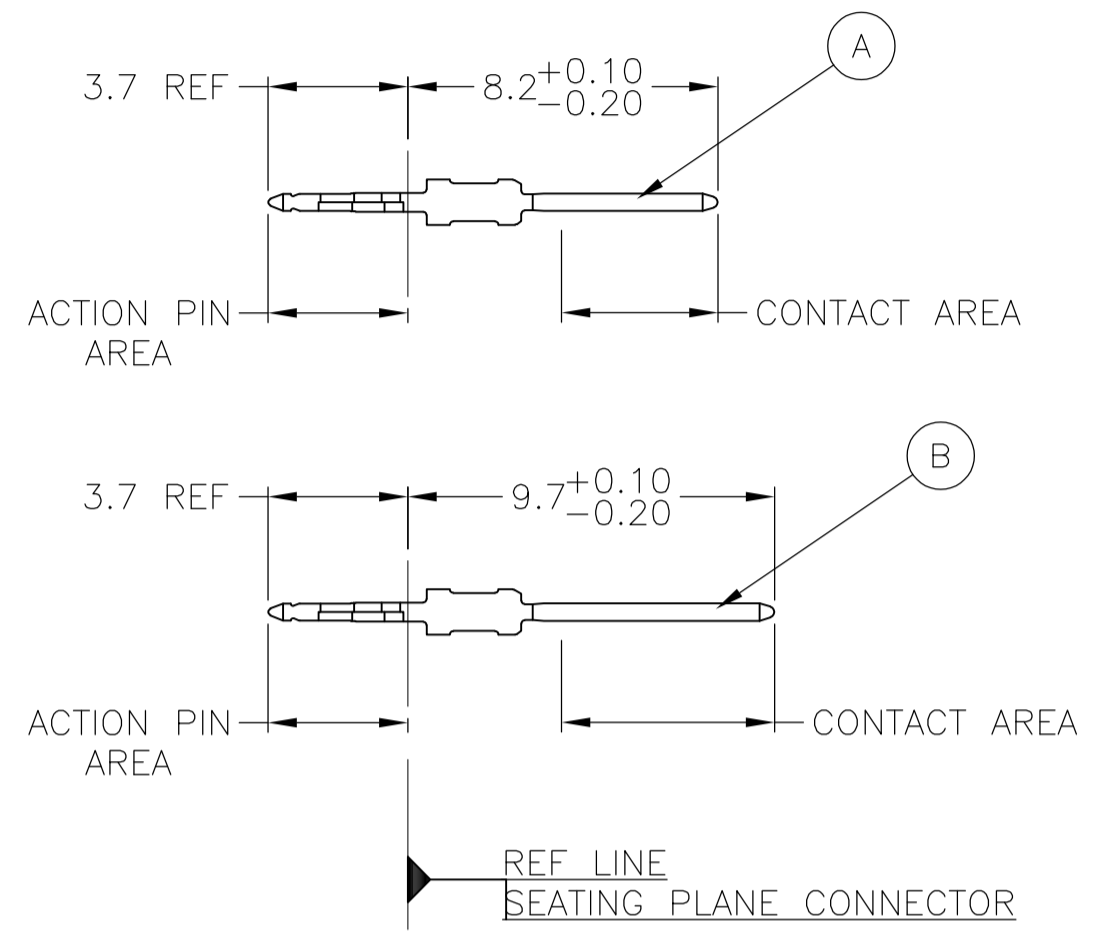


CONNECTOR ASSEMBLY EXAMPLARY LOADED



CONTACT DIMENSIONS SCALE 5:1

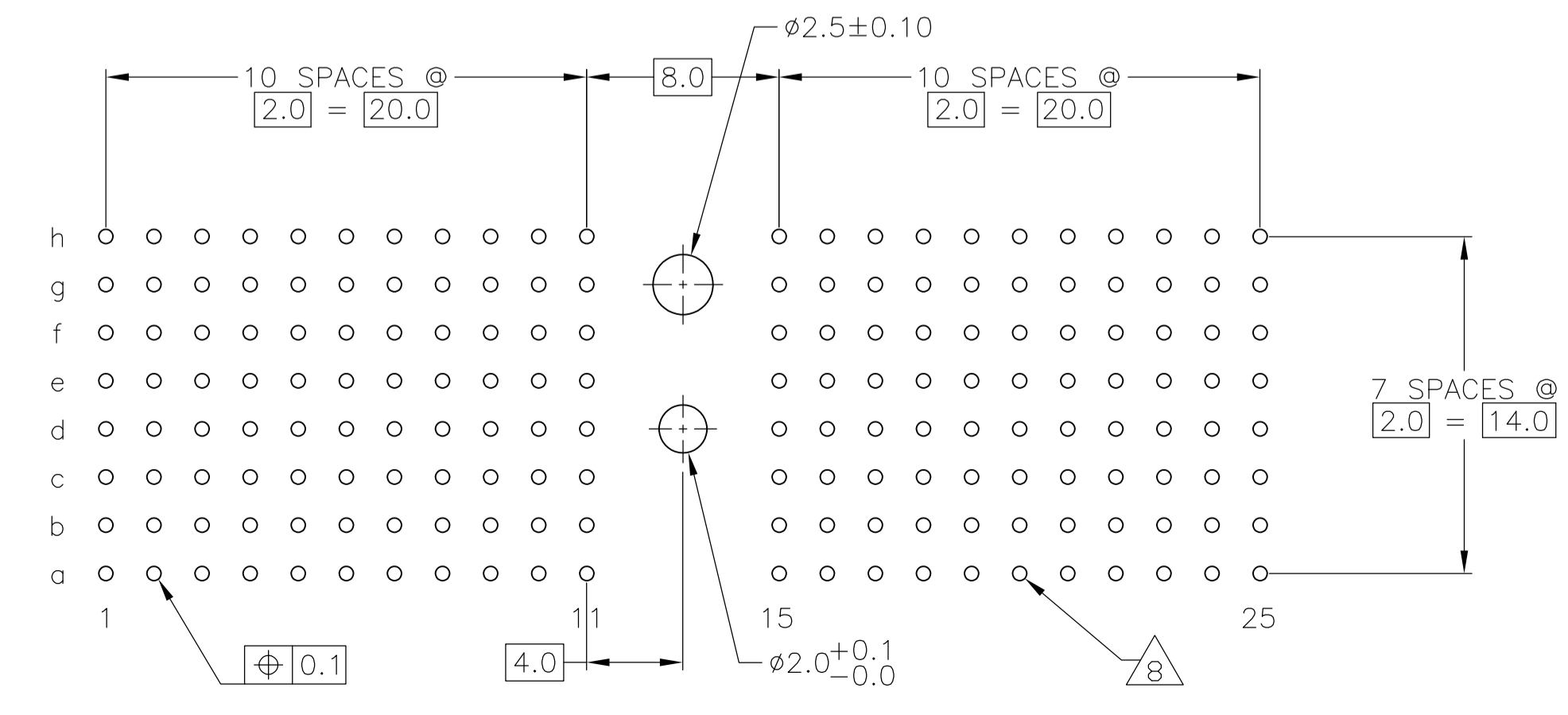


CONTACT LAYOUT

	z	a	b	c	d	e	f	g	h	i
1	B	A	A	A	A	A	A	B		
2	B	A	A	A	A	A	A	B		
3	B	A	A	A	A	A	A	B		
4	B	A	A	A	A	A	A	B		
5	B	A	A	A	A	A	A	B		
6	B	A	A	A	A	A	A	B		
7	B	A	A	A	A	A	A	B		
8	B	A	A	A	A	A	A	B		
9	B	A	A	A	A	A	A	B		
10	B	A	A	A	A	A	A	B		
11	B	A	A	A	A	A	A	B		
MULTI PURPOSE CENTER										
15	B	A	A	A	A	A	A	B		
16	B	A	A	A	A	A	A	B		
17	B	A	A	A	A	A	A	B		
18	B	A	A	A	A	A	A	B		
19	B	A	A	A	A	A	A	B		
20	B	A	A	A	A	A	A	B		
21	B	A	A	A	A	A	A	B		
22	B	A	A	A	A	A	A	B		
23	B	A	A	A	A	A	A	B		
24	B	A	A	A	A	A	A	B		
25	B	A	A	A	A	A	A	B		

RECOMMENDED PCB-HOLE LAYOUT COMPONENT SIDE SHOWN

PLATED THRU HOLES PARAMETERS REFERENCE APPLICATION SPECIFICATION



2	6	14	1-5646919-9
2	5	14	5646919-9
2	4		5646919-4
2	3		5646919-1
FINISH			PART NUMBER

THIS DRAWING IS A CONTROLLED DOCUMENT.

DIMENSIONS: mm	TOLERANCES UNLESS OTHERWISE SPECIFIED:	DIN RICHARDSON 4AUG05	Tyco Electronics Corporation Harrisburg, Pa 17105-3608
0-PLC ±	1-PLC ±0.1	CHK G.SKIPPER 4AUG05	APVD G.SKIPPER 4AUG05
2-PLC ±	3-PLC ±	NAME MALE ASSEMBLY, Z-PACK 2mm HM, TYPE D	
4-PLC ±	ANGLES ±	PRODUCT SPEC 108-1622	
		APPLICATION SPEC 114-19029	
MATERIAL 1	FINISH SEE TABLE	WEIGHT	SIZE CAGE CODE DRAWING NO. RESTRICTED TO
			A1 00779 C=5646919
		CUSTOMER DRAWING SCALE 4:1 SHEET 1 OF 2 REV B	

LOC		DIST		REVISIONS			
P	LTR	DESCRIPTION	DATE	DWN	APVD		
AD	00	SEE SHEET 1	-	-	-	-	-

- 1 MATERIAL:
CONTACT: PHOSPHOR BRONZE.
HOUSING: GLASS-FILLED POLYESTER.
- 2 GENERAL PLATING SPECIFICATION: UNDERPLATING
(ENTIRE CONTACT): 1.27µm MIN NICKEL AND ACTION
PIN: 0.5µm MIN TIN.
FOR PLATING OF MATING SURFACES SEE APPLICABLE
SPECIFICATION REFERENCE FOR EACH DASH NUMBER.
- 3 CONFORMS TO ALL TESTING ACCORDING TO IEC 61076-4-101
PERFORMANCE LEVEL 2.
- 4 CONFORMS TO ALL TESTING ACCORDING TO IEC 61076-4-101
PERFORMANCE LEVEL 1.
- 5 CONNECTOR TESTED AND QUALIFIED AGAINST TELCORDIA GR-1217-CORE QUALITY LEVEL 3,
CENTRAL OFFICE APPLICATIONS.
- 6 CONNECTOR TESTED AND QUALIFIED AGAINST TELCORDIA GR-1217-CORE QUALITY LEVEL 3,
UNCONTROLLED ENVIROMENT APPLICATIONS.
- 7 CONNECTOR MARKED WITH PART NUMBER AND DATE CODE.
ADDITIONAL CHARACTERS OR MARKINGS, AS WELL AS THE LOCATION OF THE MARKINGS,
MAY BE ADDED FOR TRACEABILITY BASED UPON MANUFACTURERS DISCRETION.
- 8 PLATED-THROUGH HOLES AT 2x2mm SQUARE GRID
PATTERN DEFINED BY CONTACT LAYOUT.
- 9 FOR ACTUAL PIN LOADING SEE "CONTACT LAYOUT".
- 10 FOR ACTUAL PIN DIMENSIONS SEE "CONTACT DIMENSIONS".
- 11 TO BE MEASURED AT BOTTOM OF SHROUD.
- 12 POLARIZATION FEATURE.
- 13 AREA RESERVED FOR KEYING PART (BASIC P/N 100525).
- 14 CONNECTOR LUBRICATED WITH BELCORE APPROVED LUBRICANT,
TECHNICAL REFERENCE: TR-NWT-001217 ISSUE 1, SEP 1992.

THIS DRAWING IS A CONTROLLED DOCUMENT.		DWN R. RICHARDSON 4AUG05	Tyco Electronics Corporation Harrisburg, Pa 17105-3608	
DIMENSIONS: mm		CHK G. SKIPPER 4AUG05	NAME MALE ASSEMBLY, Z-PACK 2mm HM, TYPE D	
TOLERANCES UNLESS OTHERWISE SPECIFIED:		APVD G. SKIPPER 4AUG05	PRODUCT SPEC 108-1622	
0-PLG ± 1-PLG ±0.1 2-PLG ± 3-PLG ± 4-PLG ±		APPLICATION SPEC 114-19029		
ANGLES ±° FINISH SEE SHEET 1		SIZE A1	CAGE CODE 00779	DRAWING NO 5646919
MATERIAL SEE SHEET 1		WEIGHT -	RESTRICTED TO -	
		CUSTOMER DRAWING		SCALE 4:1 SHEET 2 OF 2 REV B

单击下面可查看定价，库存，交付和生命周期等信息

[>>TE Connectivity\(泰科\)](#)