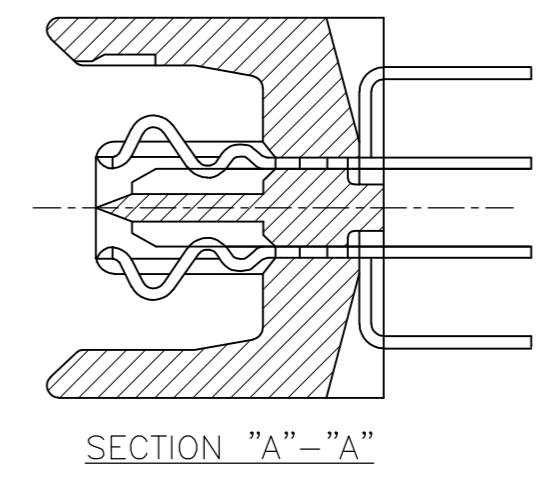
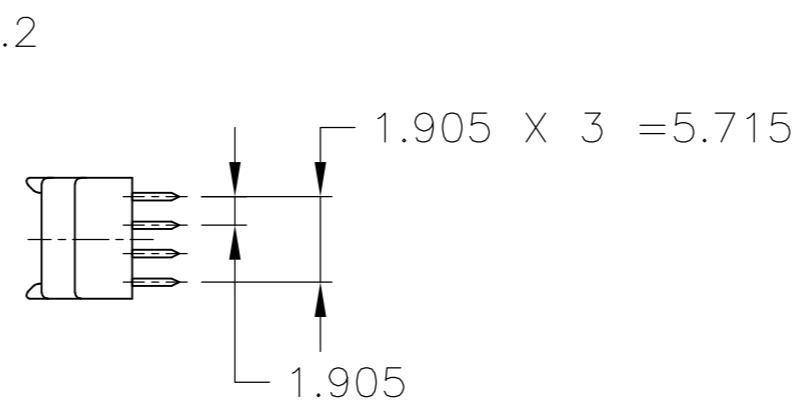
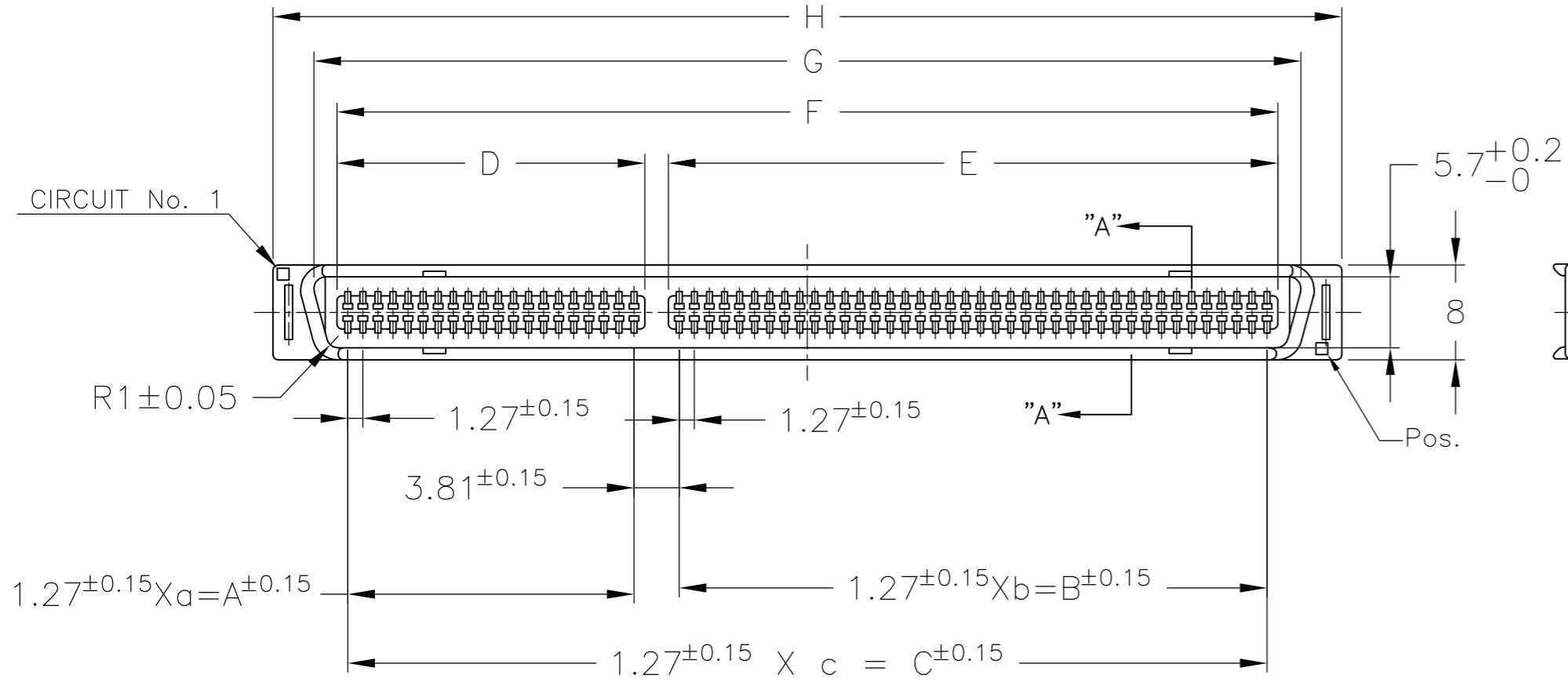
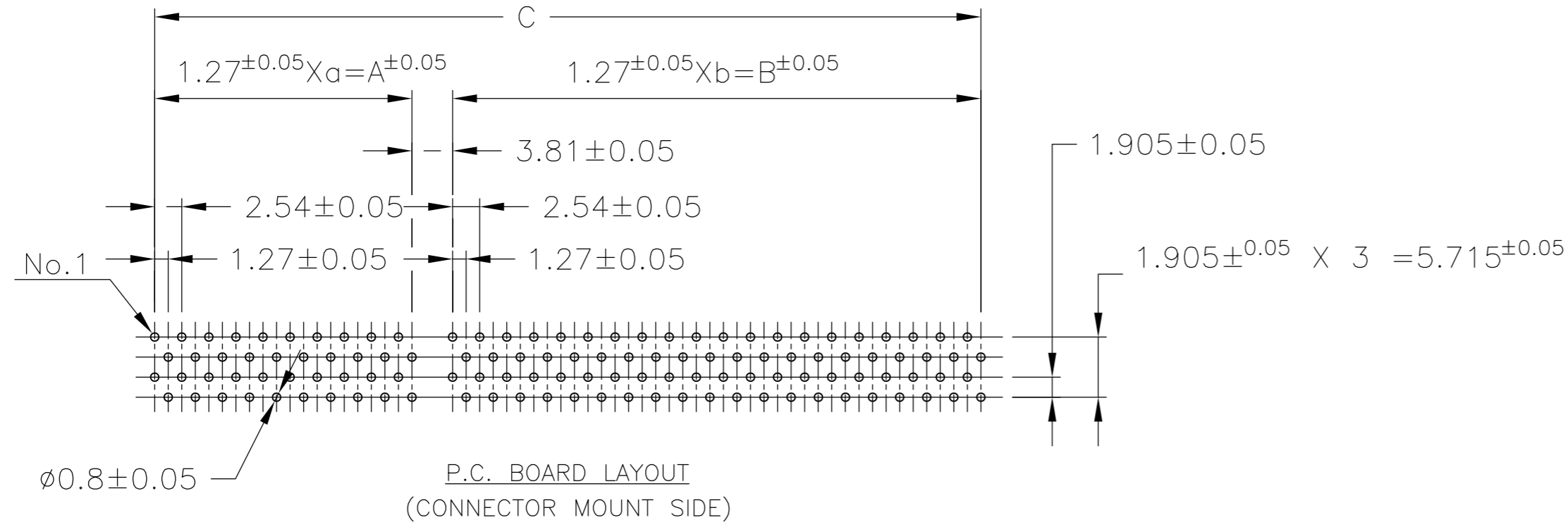
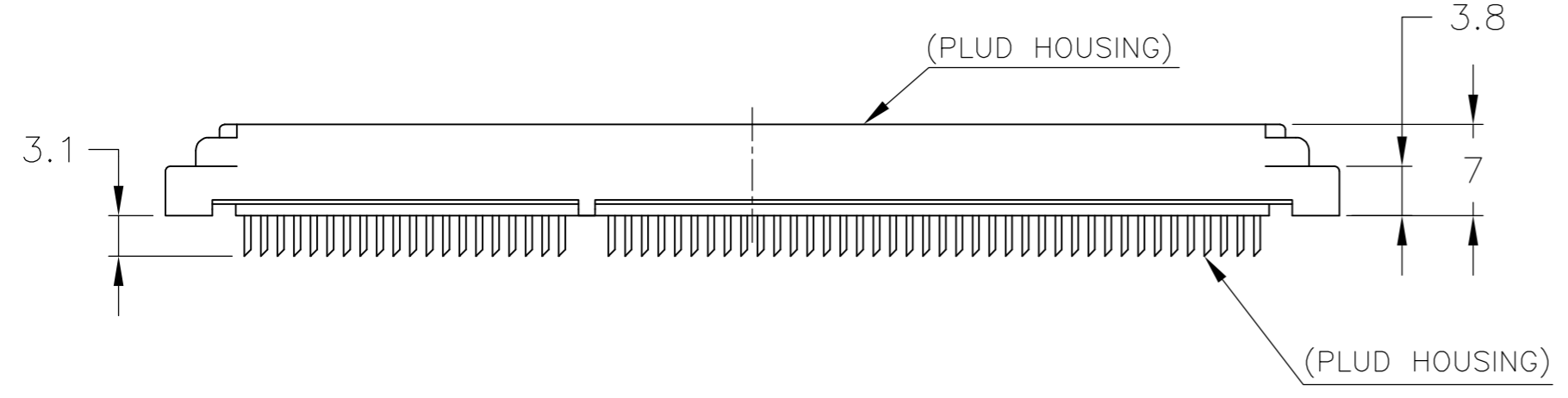
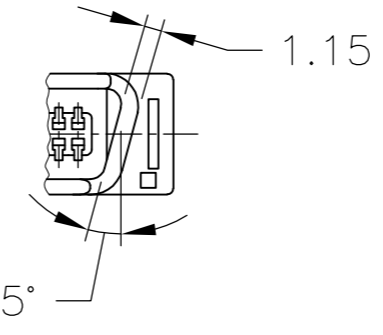


THIS DRAWING IS UNPUBLISHED. RELEASED FOR PUBLICATION
 © COPYRIGHT - By - ALL RIGHTS RESERVED.

LOC		DIST		REVISIONS			
P	LTR	DESCRIPTION		DATE	DWN	APVD	
B2		REVISED PER ECR-12-013086		21DEC2012	Q.J	E.T	



- NOTES:
- 1 MATERIAL: HOUSING, GLASS FILLED NYLON 6T (UL 94V-0) BLACK
CONTACT: PHOSPHOR-BRONZ
 - 2 FINISH: GOLD PLATING ON CONTACT AREA AND TIN-LEAD PLATING ON TINE AREA OVER NICKEL PLATING. GOLD PLATING THICKNESS SHOWN TABLE
 - 3 OBSOLETE PARTS: OBSOLETE CIS STREAMLINING PER D.RENAUD/D,SINISI
 - 4 OBSOLETE



OB	OB	19	24.13	39	49.53	--	77.47	25.93	51.33	79.27	82.71	90.09	0.76µm	120	2-179540-5
OB	OB	--	--	--	--	49	62.23	--	--	64.03	67.47	74.85	0.76µm	100	2-179540-4
		--	--	--	--	39	49.53	--	--	51.33	54.77	62.15	0.76µm	80	4-2-179540-3
		--	--	--	--	29	36.83	--	--	38.63	42.07	49.45	0.76µm	60	2-179540-2
		--	--	--	--	19	24.13	--	--	25.93	29.37	36.75	0.76µm	40	3-2-179540-1
		19	24.13	39	49.53	--	77.47	25.93	51.33	79.27	82.71	90.09	0.3µm	120	179540-5
		--	--	--	--	49	62.23	--	--	64.03	67.47	74.85	0.3µm	100	179540-4
		--	--	--	--	39	49.53	--	--	51.33	54.77	62.15	0.3µm	80	179540-3
OB	OB	--	--	--	--	29	36.83	--	--	38.63	42.07	49.45	0.3µm	60	179540-2
OB	OB	--	--	--	--	19	24.13	--	--	25.93	29.37	36.75	0.3µm	40	179540-1
		a	A	b	B	c	C	D	E	F	G	H	THK OF GOLD	Pos.	P/N

THIS DRAWING IS A CONTROLLED DOCUMENT.

DWN H.KODOMA 27MAY94
 CHK Y.FUJIURA 28MAY94
 APVD Y.FUJIURA 28MAY94
 PRODUCT SPEC
 APPLICATION SPEC

TE Connectivity

AMP FH CONNECTOR PLUG (VERTICAL)
 (HIGH TEMP TYPE)

SIZE A2 CAGE CODE 00779 DRAWING NO C=179540 RESTRICTED TO --
 WEIGHT --
 CUSTOMER DRAWING SCALE NTS SHEET 1 OF 1 REV B2

单击下面可查看定价，库存，交付和生命周期等信息

[>>TE Connectivity\(泰科\)](#)