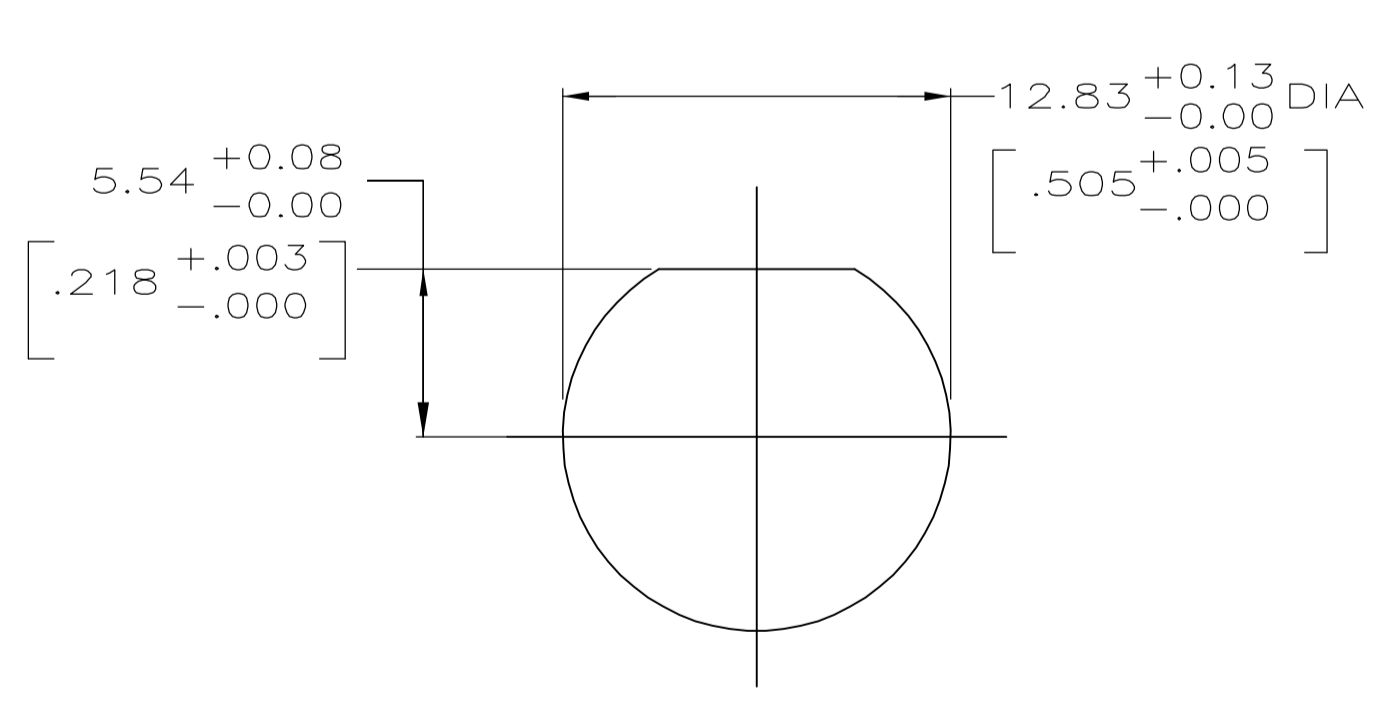
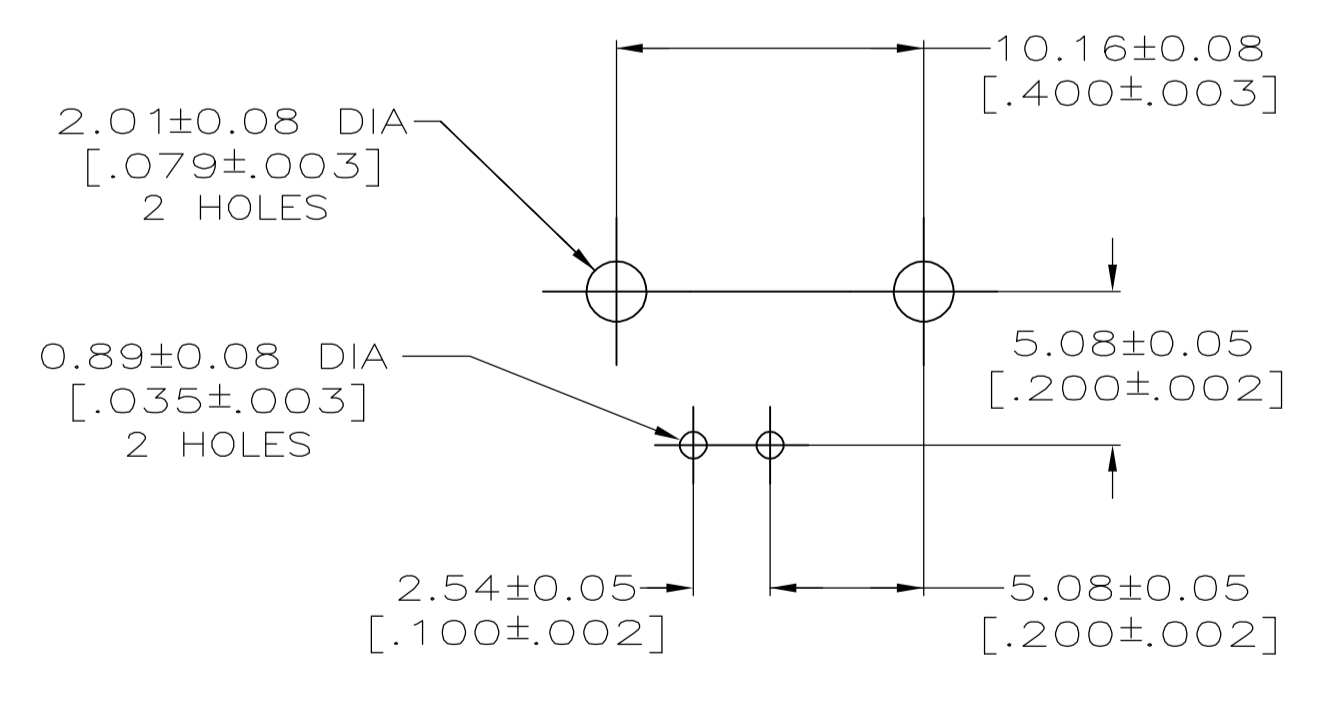


- 1 ZINC PER QQ-Z-363.
- 2 POLYMETHYLPENTENE, GENERAL PURPOSE.
- 3 BERYLLIUM COPPER PER QQ-C-530.
- 4 BRASS PER ASTM-B-453.
- 5 BRASS PER ASTM-B-16.
- 6 NICKEL PLATE PER QQ-N-290, 3.81 μm [.000150] MINIMUM THICK.
- 7 TIN PLATE PER ASTM-B-545, 3.81 μm [.000150] MINIMUM THICK.
- 8 GOLD PLATE PER MIL-G-45204, 0.76 μm [.000030] MINIMUM THICK.
- 9. SEE INSTRUCTION SHEET 2769.



RECOMMENDED PANEL CUTOUT



PCB CONFIGURATION

OBSOLETE	2.03 ±0.13 [.080 ±0.005]	2.29 ±0.13 [.090 ±0.005]	414907-3
	2.03 ±0.13 [.080 ±0.005]	2.79 ±0.25 [.110 ±0.010]	414907-2
	3.48 ±0.25 [.137 ±0.010]	4.11 ±0.43 [.162 ±0.017]	414907-1
	B	A	PART NUMBER

THIS DRAWING IS A CONTROLLED DOCUMENT.		DIN J. LIPPERT 7-7-94	 Tyco Electronics Corporation Harrisburg, PA 17105-3608
DIMENSIONS: INCHES		CHK M. TOMCHAK 7-7-94	
TOLERANCES UNLESS OTHERWISE SPECIFIED:		APVD J. LIPPERT 7-7-94	NAME
0 PLC ± -	1 PLC ± -	PRODUCT SPEC	JACK, RIGHT ANGLE, 75 OHM, LOW PROFILE, PCB, BNC
2 PLC ± ±	3 PLC ± ±	APPLICATION SPEC	
4 PLC ± ±	ANGLES ± ±	SIZE	A1
MATERIAL SEE NOTES 1 - 5	FINISH SEE NOTES 6 - 8	WEIGHT	00779C=414907
CUSTOMER DRAWING		SCALE	4:1
		SHEET	1 OF 1
		REV	C1

单击下面可查看定价，库存，交付和生命周期等信息

[>>TE Connectivity\(泰科\)](#)