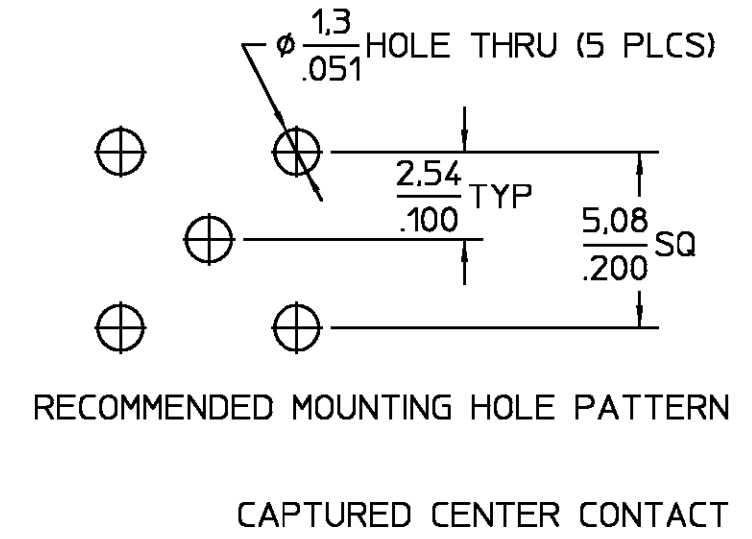
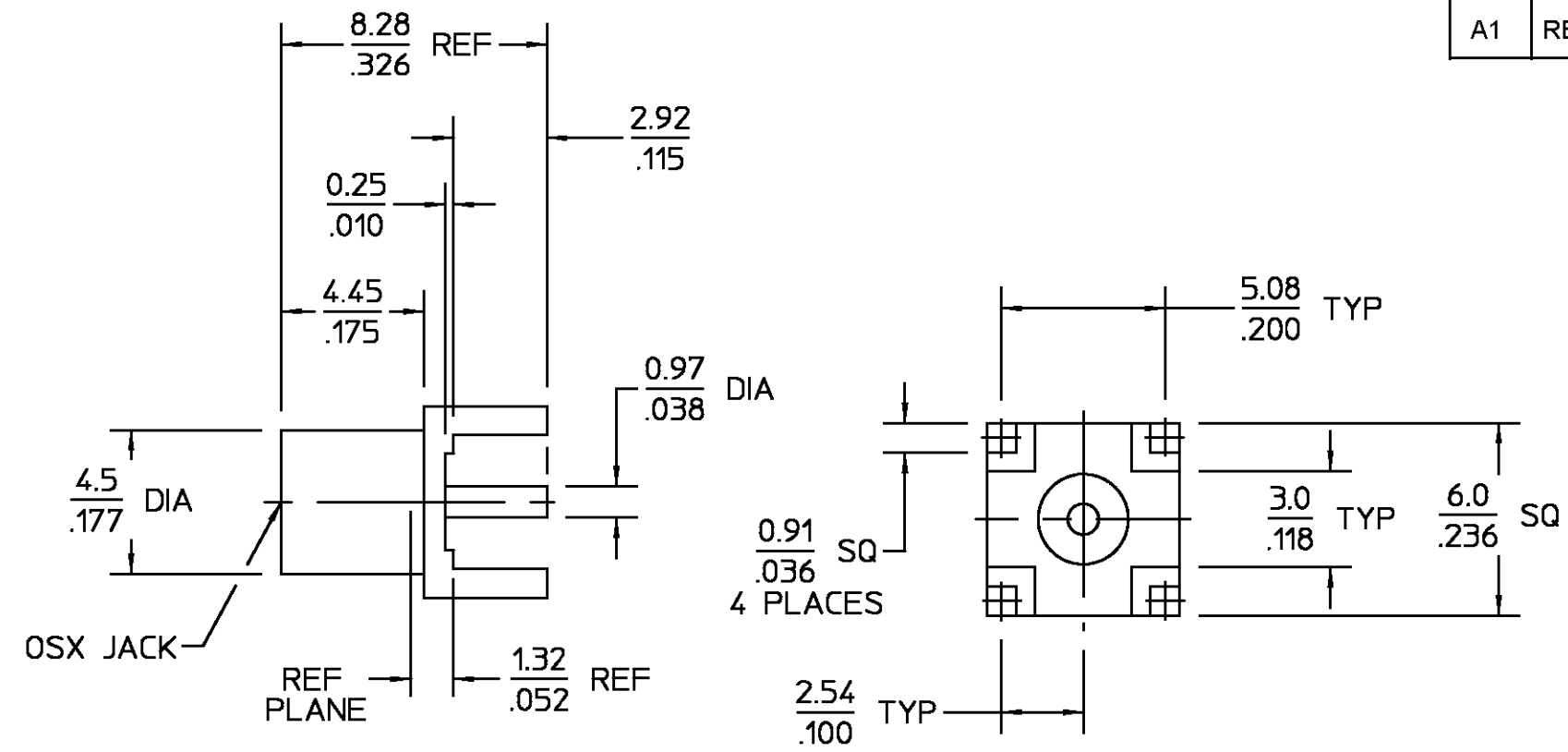


REVISIONS			
REV	DESCRIPTION	DATE	APPROVED
A1	REVISED PER ECO-11-005294	14APR11	HMR



ELECTRICAL	MECHANICAL	ENVIRONMENTAL	HOUSING	DIELECTRIC	CENTER CONTACT	COMPONENT	MATERIAL	FINISH			
Nominal Impedance (Ohms) <u>50</u> Frequency Range (GHz) <u>DC TO 6.0</u> Voltage Rating (VRMS MAX) <u>335 @ Sea level</u> VSWR <u>N/A</u> Insertion Loss <u>N/A</u> Corona, 70,000 Ft (VRMS MIN) <u>250</u> D.W.V. (VRMS MIN) <u>1000</u> Contact Resistance Center Contact (Milliohms MAX) <u>5.0</u> Outer Contact (Milliohms MAX) <u>1.0</u> RF High Potential (VRMS MIN @ 5 MHz) <u>670</u> I.R. (Megohms Min) <u>10,000</u>	Force to Engage: (Lbs) <u>3.4 MAX</u> Force to Disengage: (Lbs) <u>1.77 MIN - 4.5 MAX</u> Center Contact Captivation: <u>Axial 4.5lbs @ 1 minute</u> <u>with .006" displacement</u>  <u>XX.XX = mm</u> <u>.XXX = in</u>	Temperature Rating <u>-65°C to +165°C</u> Vibration <u>MIL-STD-202, Method 204,</u> <u>Condition B</u> Thermal shock <u>MIL-STD-202, Method 107,</u> <u>Condition B</u> Moisture Resistance <u>MIL-STD-202, Method 106</u> Corrosion <u>MIL-STD-202,</u> <u>Method 101, Condition B,</u> <u>48 Hrs</u>	BRASS, PER ASTM-B-16 HALF HARD	TFE FLUOROCARBON PER ASTM-D-1457	BERYLLIUM COPPER PER ASTM B 196, ALLOY C17300, CONDITION H	NICKEL PLATE PER QQ-N-290	N/A	GOLD PLATE PER MIL-G-45204			
			UNLESS OTHERWISE SPECIFIED DIMENSIONS ARE IN MILLIMETERS TOLERANCE ON DEC ANGLES +0.13 ° °	DRAWN BY <u>K.C.MAHER</u> DATE <u>10/18/90</u>	CHECKED BY <u>M.Y.</u> DATE <u>10-19-90</u>	APPR'D BY <u>[Signature]</u> DATE <u>10-19-90</u>					
			USE ASSY PROCEDURE	TITLE OSX PRINTED WIRING BOARD JACK RECEPTACLE STRAIGHT TERMINAL			NO. A.P. <u>N/A</u>	SIZE <u>B</u>	CODE IDENT NO. <u>26805</u>	<u>1060985-1</u>	REV <u>A1</u>
			CUSTOMER DRAWING	SCALE	<u>5 : 1</u>		SHEET 1 OF 1				

单击下面可查看定价，库存，交付和生命周期等信息

[>>TE Connectivity\(泰科\)](#)