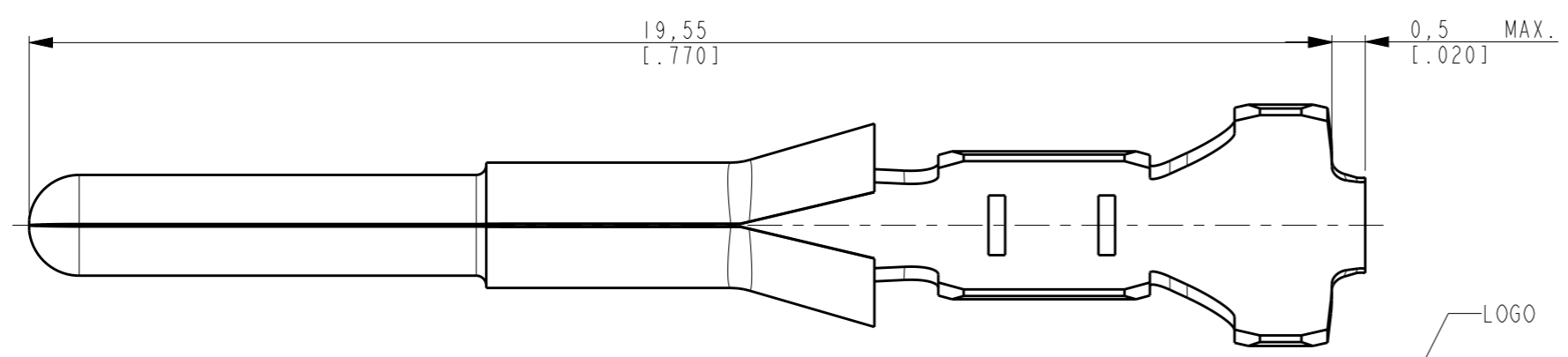


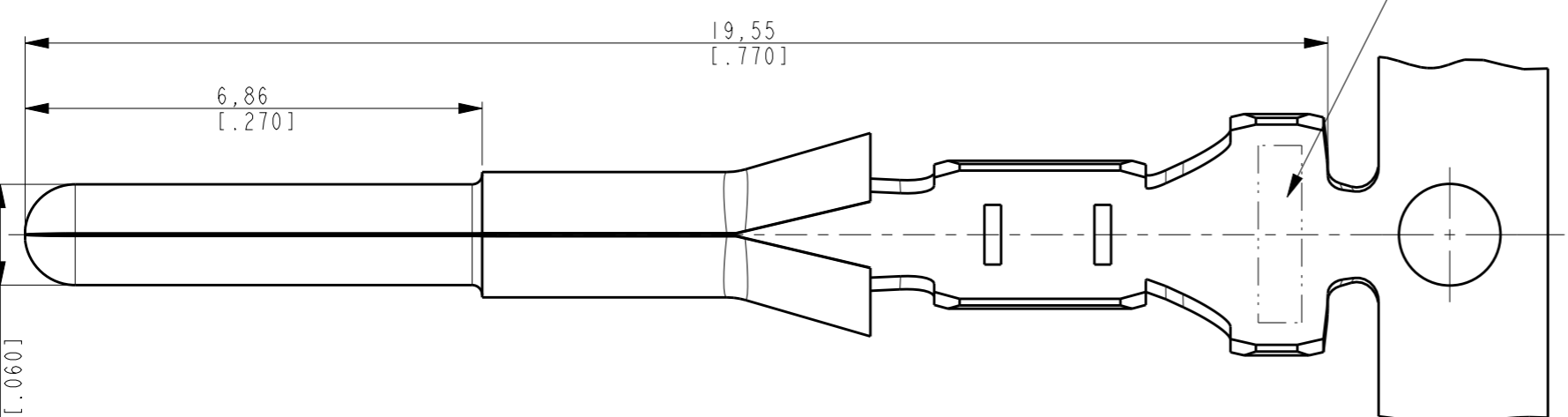
THIS DRAWING IS UNPUBLISHED. RELEASED FOR PUBLICATION 20
 © COPYRIGHT 20 TE ALL RIGHTS RESERVED.

LOC AP DIST -

REVISIONS					
P	LTR	DESCRIPTION	DATE	DWN	APVD
	J	REV. ECO-11-020077	180CT2011	HC	WLS
	J1	REV. BY ECO 13-016867	300CT2013	HC	WLS

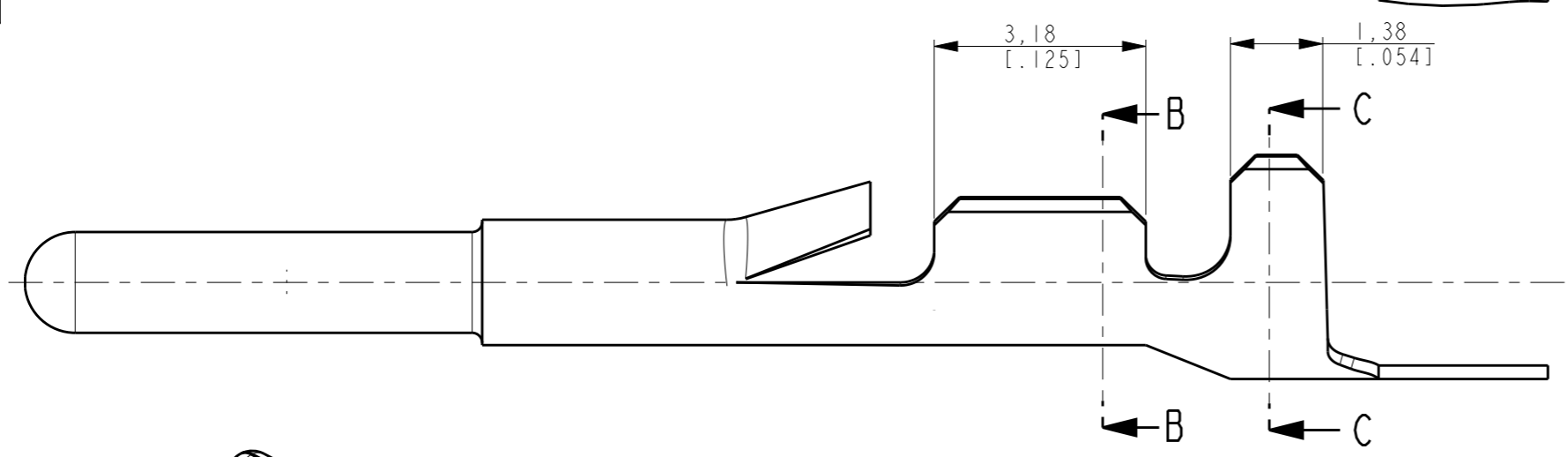


AFTER CUTOFF



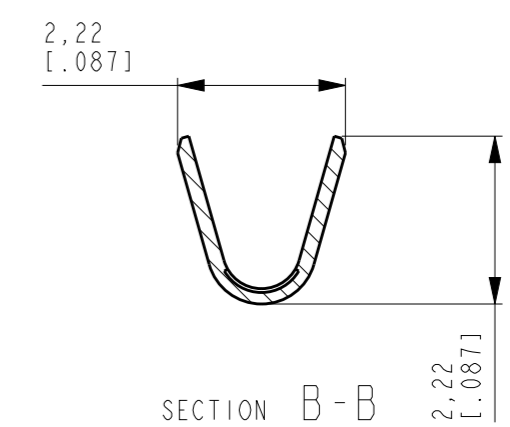
LOGO

Ø 1,51 [.060]

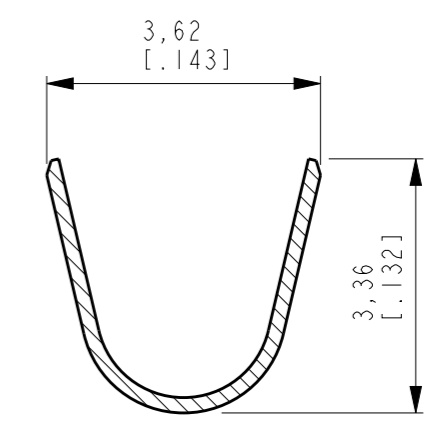


NOTES:

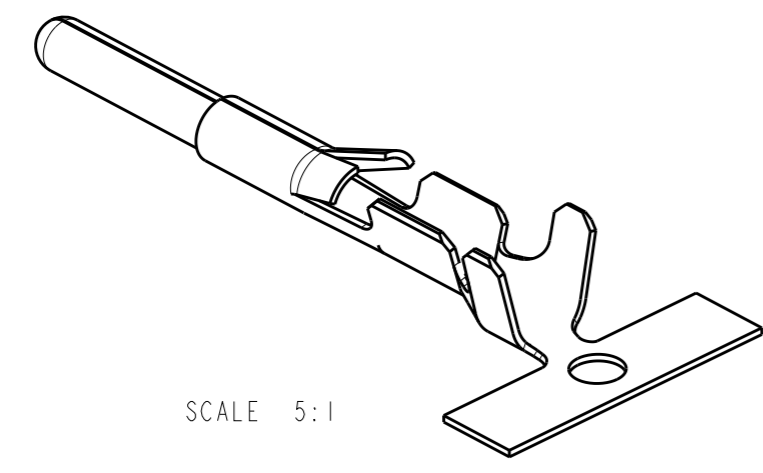
△ WIRE RANGE #22 TO #18 AWG; INSULATION RANGE 1,5 mm TO 2,8 mm [.060 TO .100 INCH]



SECTION B-B



SECTION C-C



SCALE 5:1

FINISH	MATERIAL	DESCRIPTION	PARTNUMBER
POST-TIN OVER NICKEL	BRASS	LOOSE PIECE	61121-1
PRE-TIN	BRASS	STRIP PRODUCT	61062-3
PRE-TIN OVER NICKEL	BRASS	STRIP PRODUCT	61062-1

THIS DRAWING IS A CONTROLLED DOCUMENT.

DIMENSIONS:	TOLERANCES UNLESS OTHERWISE SPECIFIED:
mm [inch]	
0 PLC	±-
1 PLC	±-
2 PLC	±0,31(.012)
3 PLC	±-
4 PLC	±-
ANGLES	±2°
MATERIAL	FINISH
-	-

DWN	H.C.CANTERI	11NOV2009
CHK	W.L.STEFANI	12NOV2009
APVD	-	-
PRODUCT SPEC	108-1002	-
APPLICATION SPEC	-	-
WEIGHT	-	-

STE TE Connectivity

NAME: .060 COMBOLINE PIN

SIZE	CAGE CODE	DRAWING NO	RESTRICTED TO
A3	00779	C-61062	-

CUSTOMER DRAWING SCALE 10/1 SHEET 1 OF 1 REV J1

单击下面可查看定价，库存，交付和生命周期等信息

[>>TE Connectivity\(泰科\)](#)