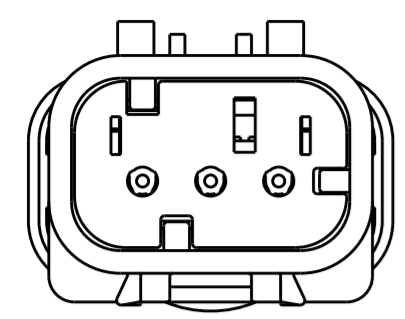
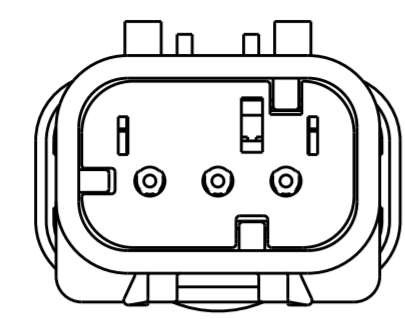


THIS DRAWING IS UNPUBLISHED. RELEASED FOR PUBLICATION
 © COPYRIGHT 20 BY - ALL RIGHTS RESERVED.

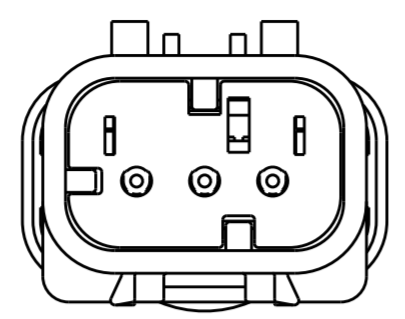
| REVISIONS | | | | |
|-----------|-----|---------------------------|-----------|-------|
| P | LTR | DESCRIPTION | DATE | APVD |
| C | | REVISED PER ECO-13-019095 | 05DEC2013 | DR RB |



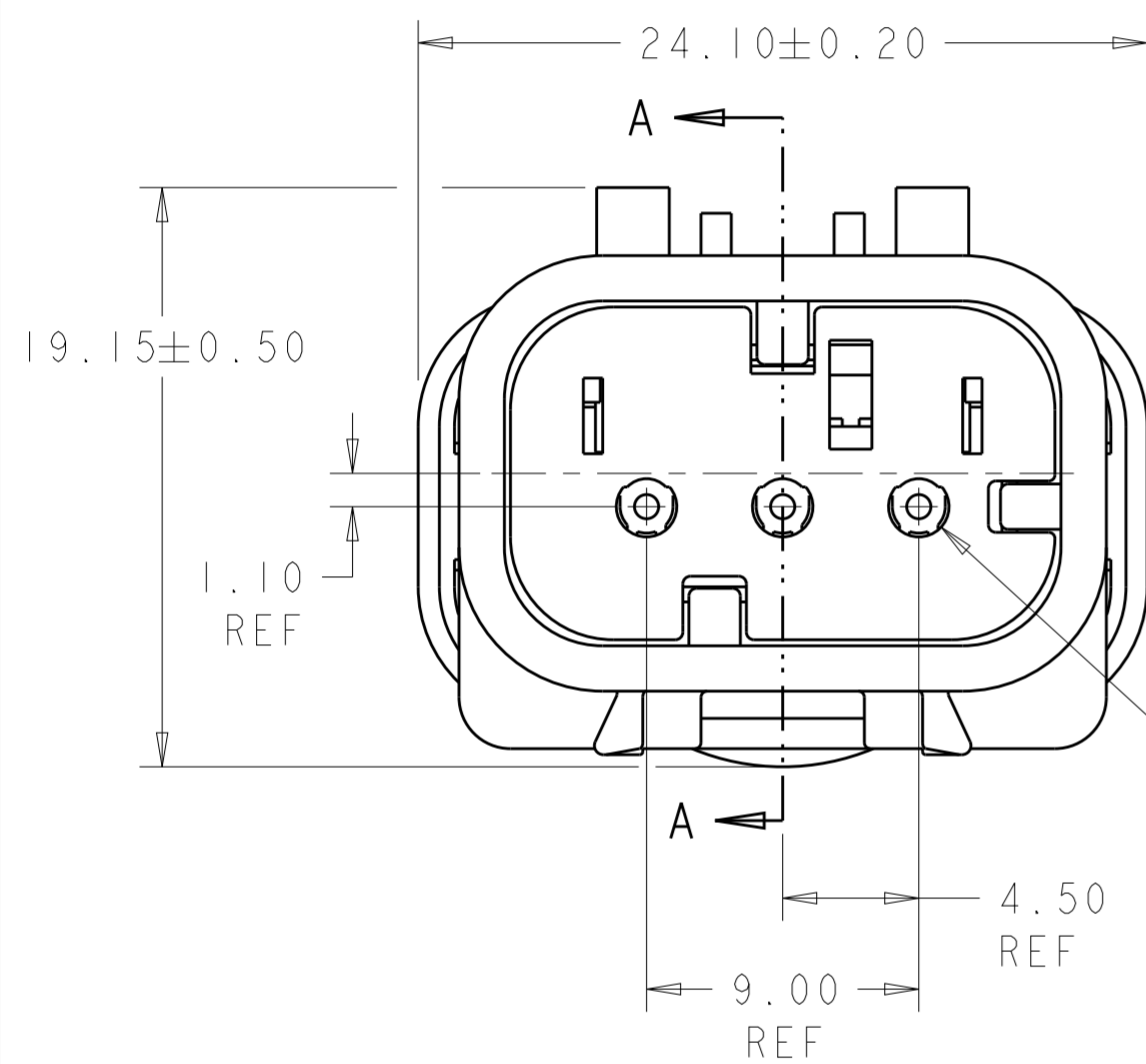
776535-2
SCALE 2:1
KEY B



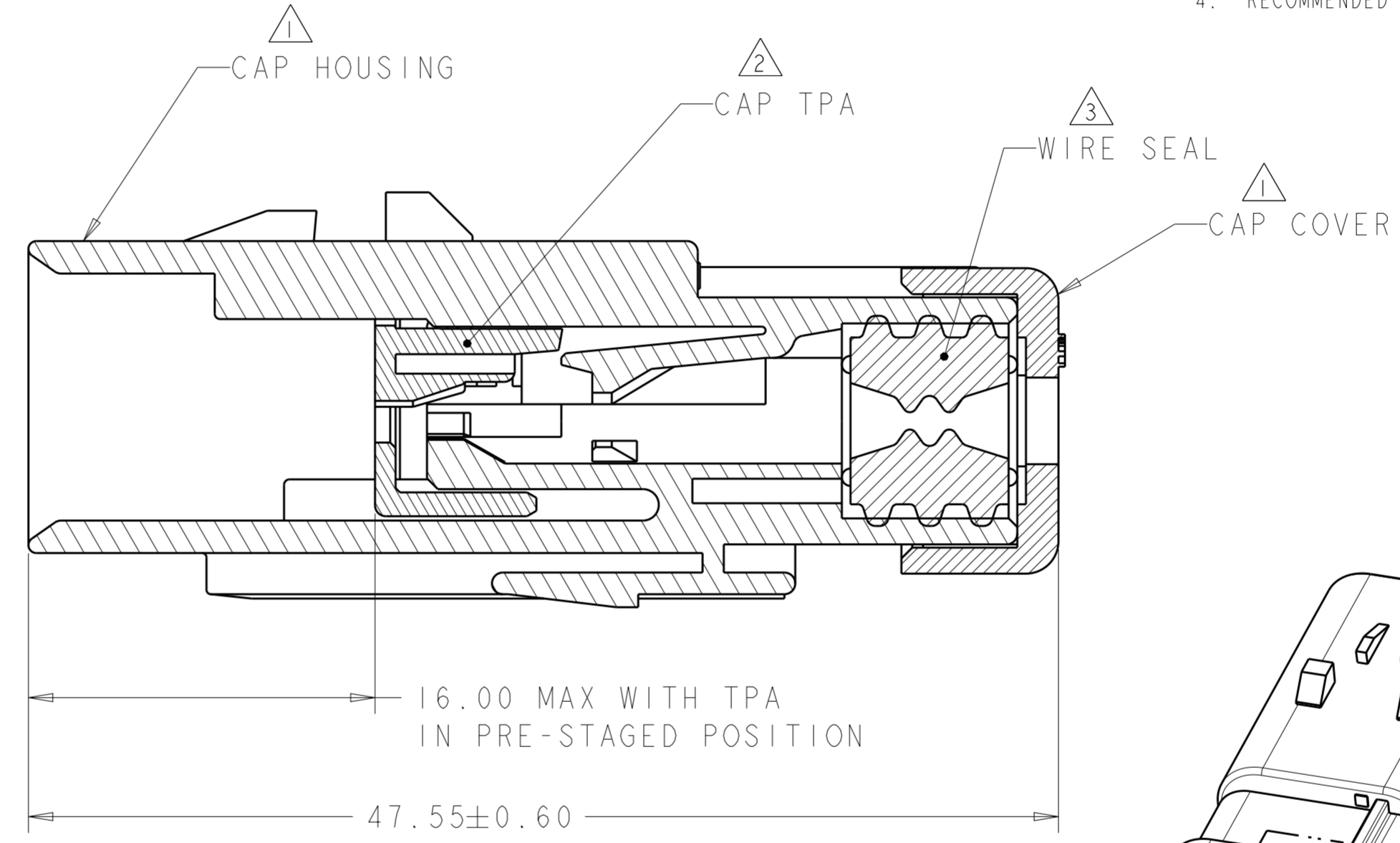
776535-3
SCALE 2:1
KEY C



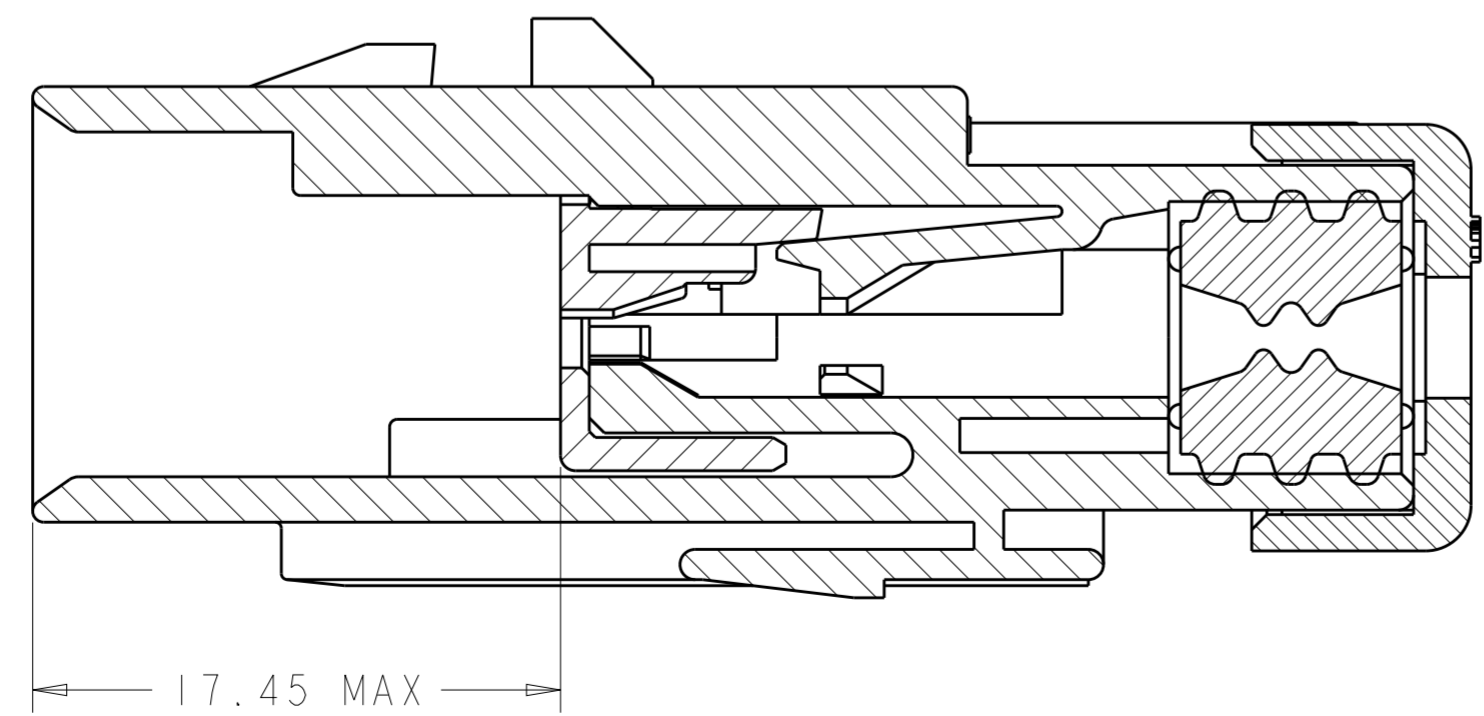
776535-4
SCALE 2:1
KEY D



776535-1 SHOWN
KEY A

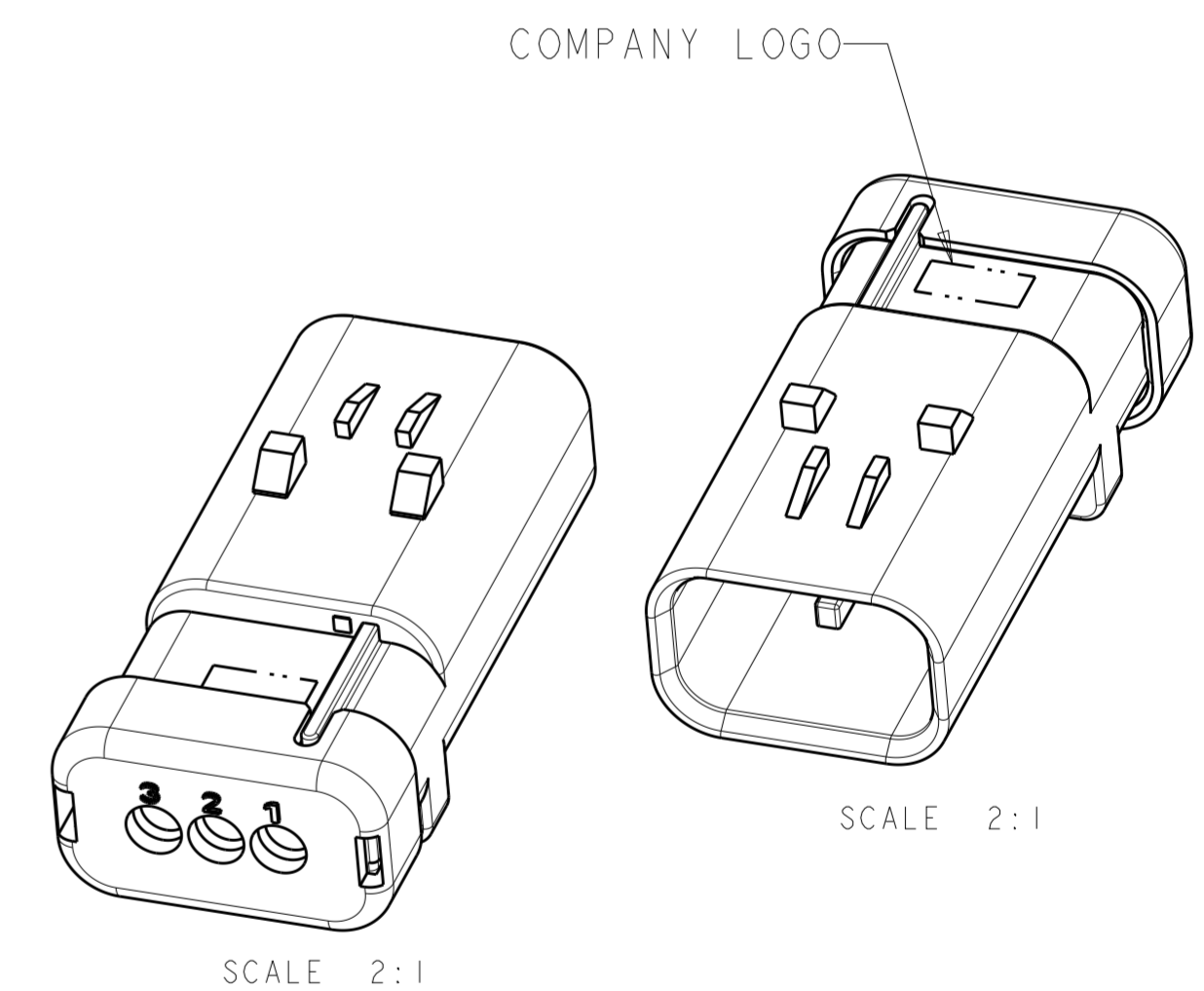


SECTION A-A



SECTION A-A
WITH TPA IN CLOSED POSITION

- 1 MATERIAL: 15% GLASS FILLED THERMOPLASTIC
COLOR: BLACK
- 2 MATERIAL: 15% GLASS FILLED THERMOPLASTIC
COLOR: (SEE TABLE)
- 3 MATERIAL: SILICONE
COLOR: RUST
- 4. RECOMMENDED WIRE DIAMETER RANGE IS 1.30 TO 2.54mm



| | | |
|-----|-----------|-------------|
| D | GREEN | 776535-4 |
| C | YELLOW | 776535-3 |
| B | GRAY | 776535-2 |
| A | RED | 776535-1 |
| KEY | TPA COLOR | PART NUMBER |

| | | | | |
|--|--|-------------------------------|--|--------------------|
| THIS DRAWING IS A CONTROLLED DOCUMENT. | | DWN Y. PETERSON 22FEB00 | TE Connectivity | |
| DIMENSIONS: mm | | CHK R. GREINER 11DEC01 | | |
| TOLERANCES UNLESS OTHERWISE SPECIFIED: | | APVD M. TRULLI 11DEC01 | NAME CAP ASSEMBLY, 3 POSITION, SINGLE ROW, REDUCED DIA WIRE SEAL AMPSEAL 16 | |
| 0 PLC ± | | PRODUCT SPEC 108-2184 | SIZE A2 | CAGE CODE 00779 |
| 1 PLC ± | | APPLICATION SPEC 114-13065 | DRAWING NO C-776535 | RESTRICTED TO - |
| 2 PLC ± | | WEIGHT 10 | SCALE 4:1 | SHEET 1 |
| 3 PLC ± | | Customer Drawing | OF 1 | REV C |
| 4 PLC ± | | | | |
| ANGLES ± | | | | |
| FINISH - | | | | |
| - | | | | |

单击下面可查看定价，库存，交付和生命周期等信息

[>>TE Connectivity\(泰科\)](#)