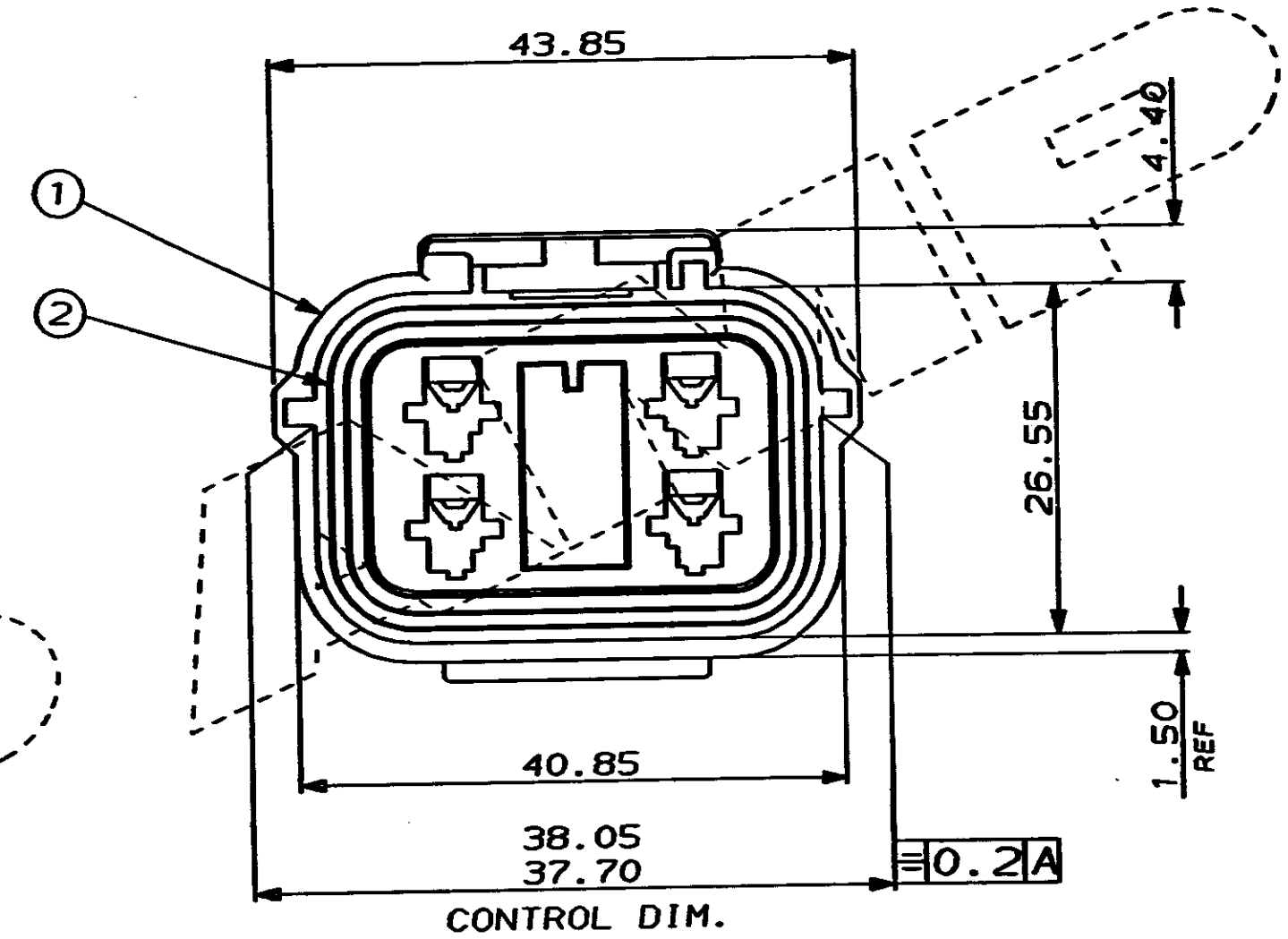
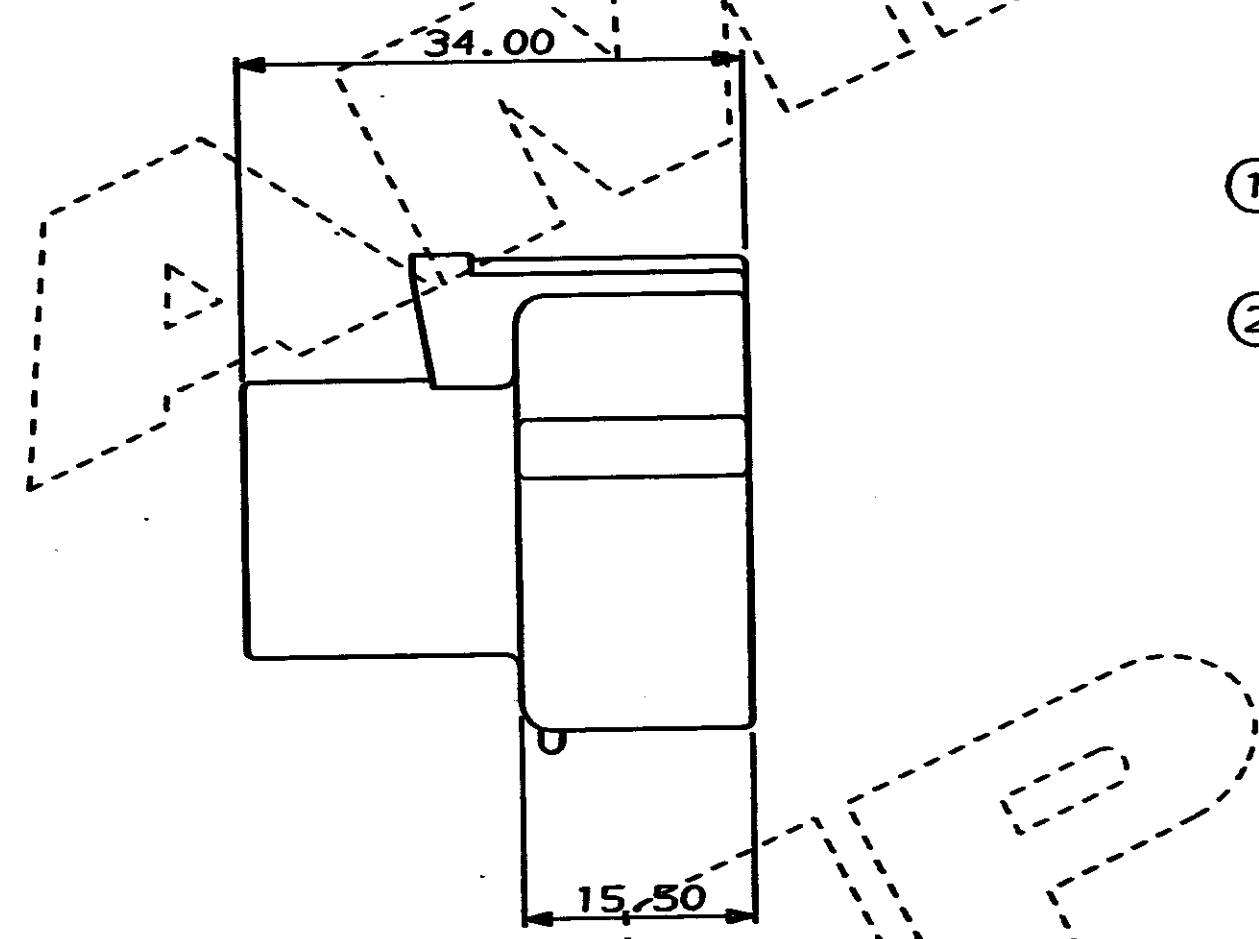
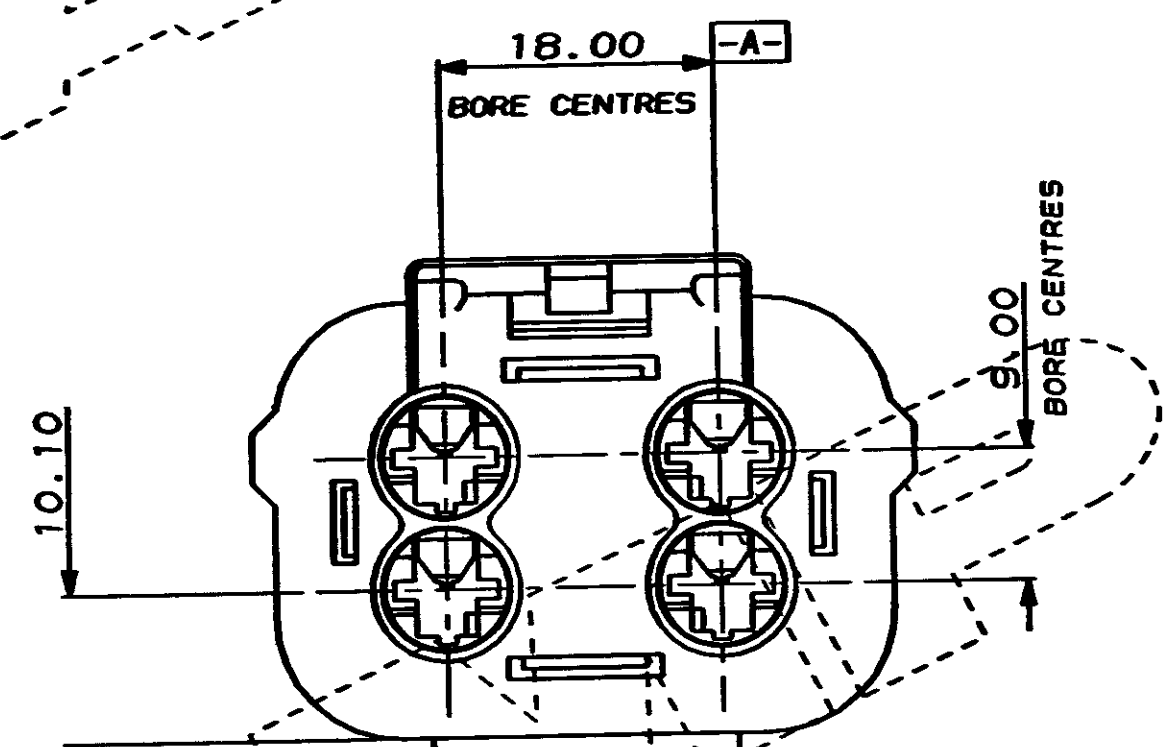
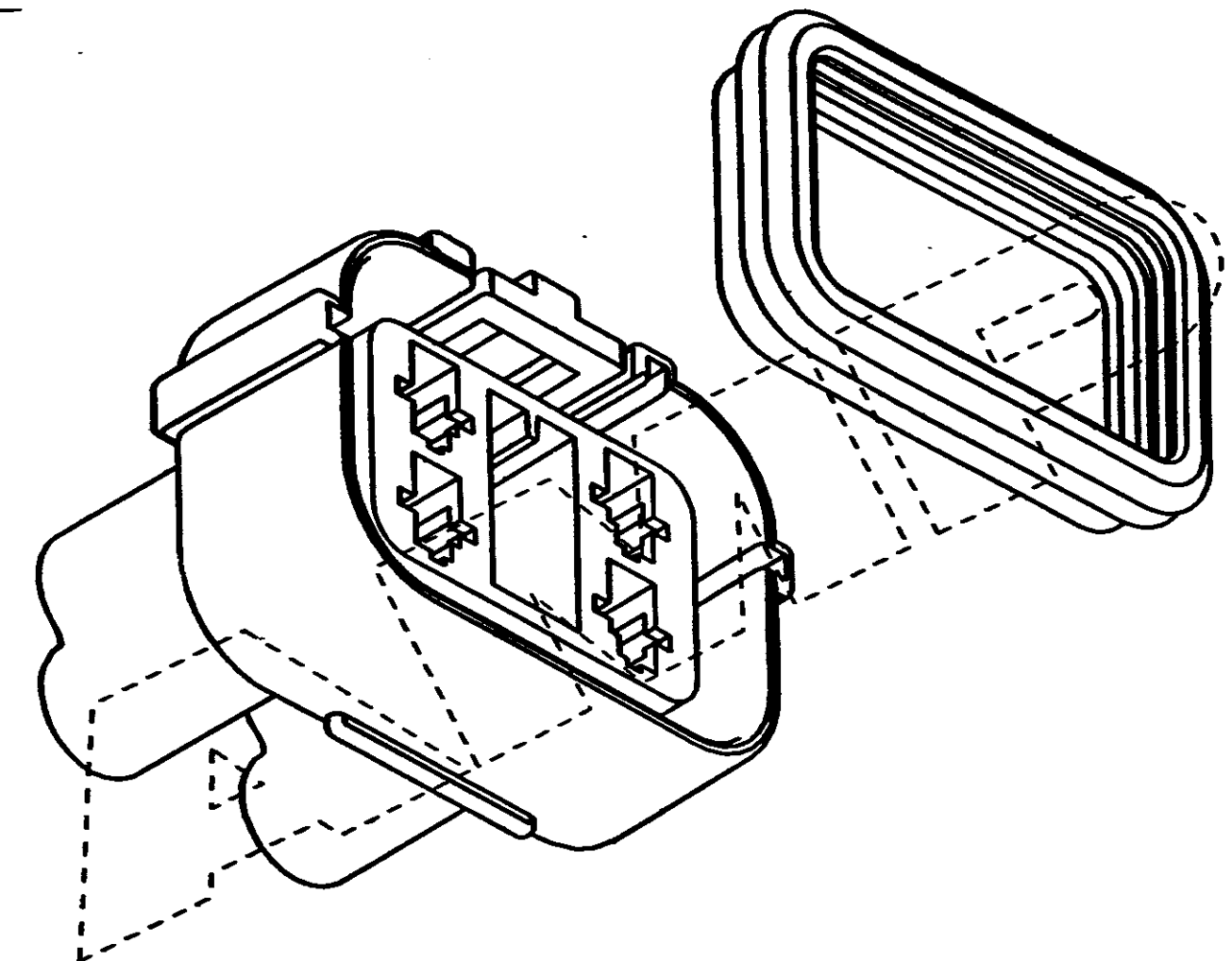
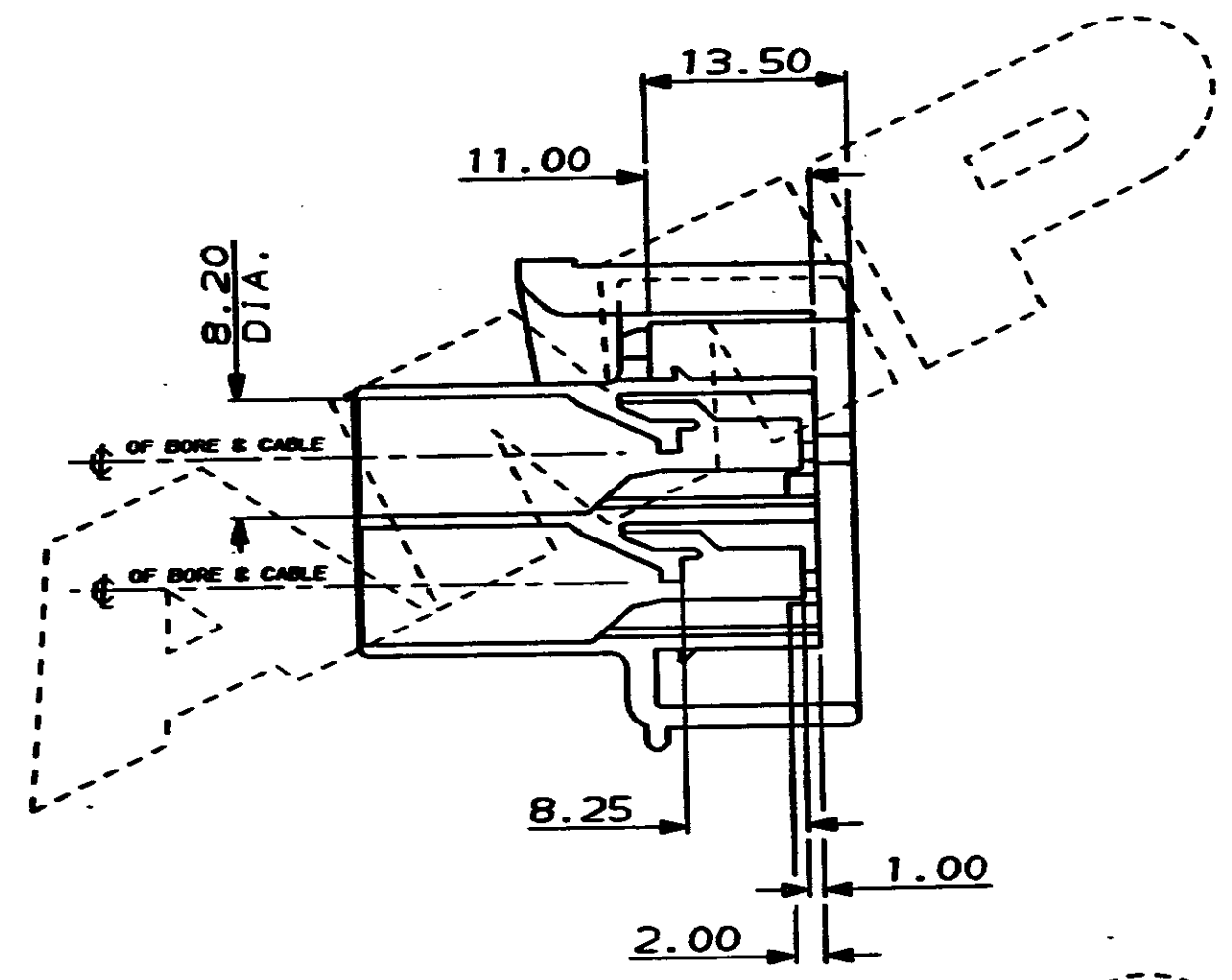
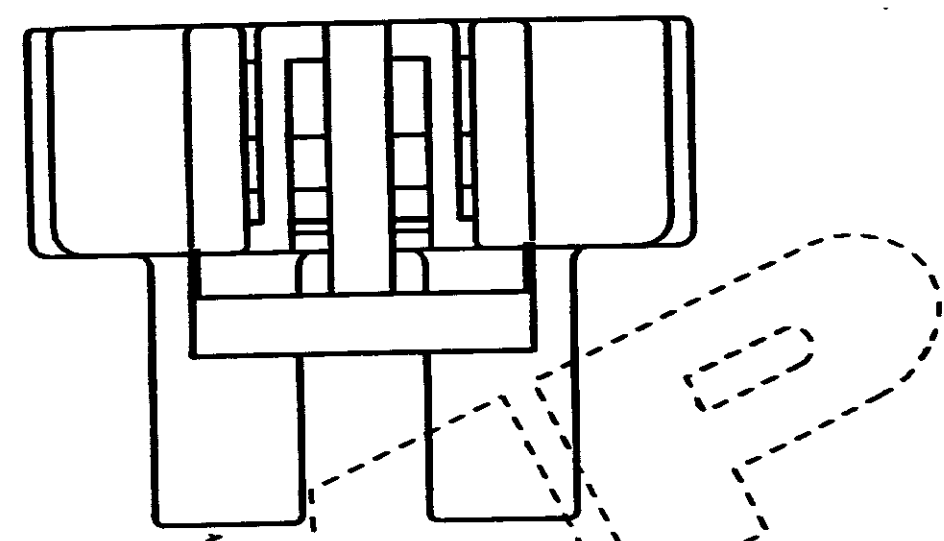


C.A.D. FILE CODE
344080

DO NOT SCALE DIMENSIONS IN MM.



| ITEM No. | MATERIAL | PART No. | DESCRIPTION | QTY PER ASSY. | ASSEMBLY PART No. |
|----------|----------|----------|-----------------|---------------|-------------------|
| 2 | | 347712-1 | PERIPHERAL SEAL | 1 | 344080-4 (WHITE) |
| 1 | NYLON 66 | 344077-4 | 4 WAY REC. HSG. | 1 | 344080-3 (BLUE) |
| 2 | | 347712-1 | PERIPHERAL SEAL | 1 | 344080-3 (BLUE) |
| 1 | NYLON 66 | 344077-3 | 4 WAY REC. HSG. | 1 | 344080-2 (RED) |
| 2 | | 347712-1 | PERIPHERAL SEAL | 1 | 344080-2 (RED) |
| 1 | NYLON 66 | 344077-2 | 4 WAY REC. HSG. | 1 | 344080-1 (BLACK) |
| 2 | | 347712-1 | PERIPHERAL SEAL | 1 | 344080-1 (BLACK) |
| 1 | NYLON 66 | 344077-1 | 4 WAY REC. HSG. | 1 | 344080-1 (BLACK) |

CUSTOMER DWG
FOR REFERENCE ONLY

© COPYRIGHT 1987 BY AMP OF GREAT BRITAIN LTD. RELEASED FOR PUBLICATION
ALL INTERNATIONAL RIGHTS RESERVED. ALL PRODUCTS 24/06/87
MAY BE COVERED BY BRITISH AND FOREIGN PATENTS AND/OR PATENTS PENDING.

TOLERANCES UNLESS OTHERWISE STATED
DEC ± 0.5
ANGLES ± 1°

DR. MWADE 24/06/87
CH. R. J. S. APP. B. J.

TE TE Connectivity

NAME: 4 WAY RECEPTACLE HSG ASSY
ECONOSEAL 3 HIGH CURRENT

| | | | | | |
|-------|-----|------|----------|-----|-------|
| SCALE | LOC | SIZE | DWG. No. | REV | SHEET |
| 2/1 | E | A2 | 344080 | D1 | 1/1 |

REV APPROVED ECN DATE

单击下面可查看定价，库存，交付和生命周期等信息

[>>TE Connectivity\(泰科\)](#)