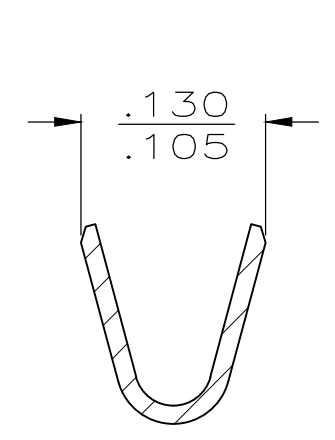
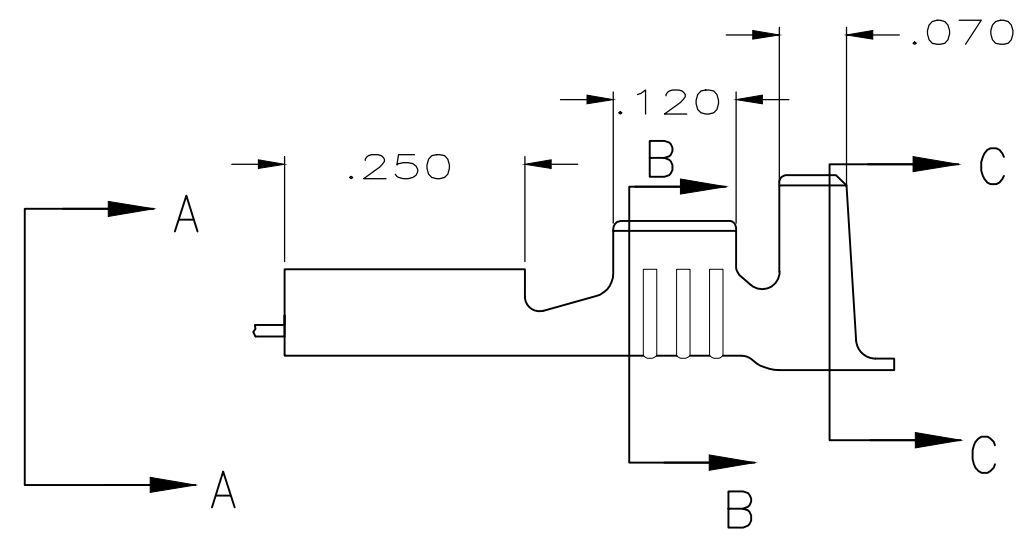
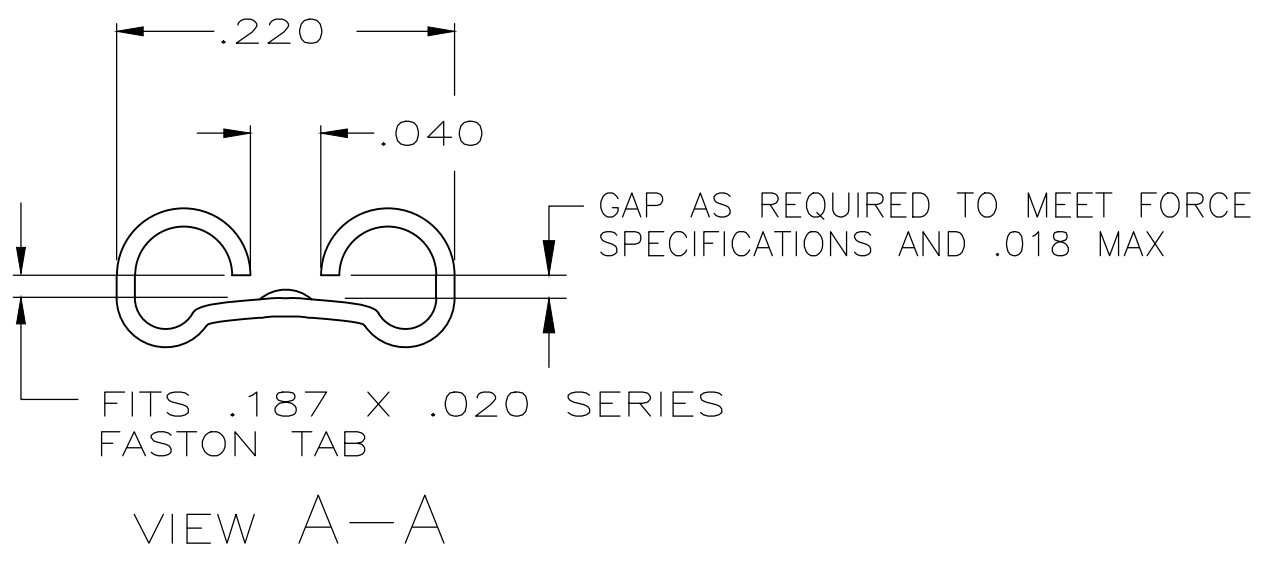
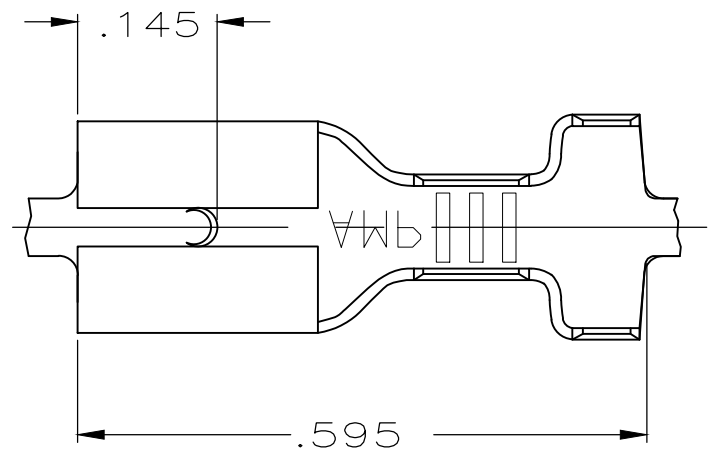


THIS DRAWING IS UNPUBLISHED. RELEASED FOR PUBLICATION  
 © COPYRIGHT - By - ALL RIGHTS RESERVED.

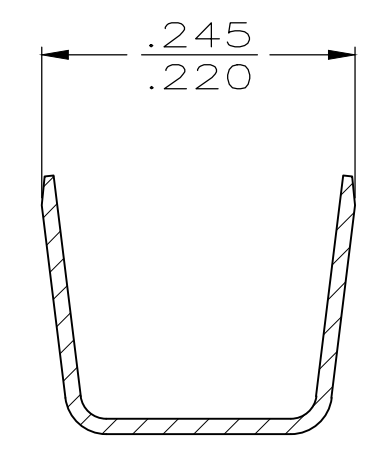
LOC	DIST	REVISIONS					
AF	50	P	LTR	DESCRIPTION	DATE	DWN	APVD
			D3	REVISED PER ECR-20-009164	7AUG2020	MK	DH

1 CONTINUOUS STRIP ON REELS.

△ 2 63470-2 REFERS TO 63470-1 WITH PAPER INTER LAYER



SECTION B-B



SECTION C-C

.105-.210 OR (2).105 MAX	18-16 OR (2) #18	.021-.019	△ 2 63470-2 63470-1
INSULATION RANGE	WIRE SIZE	TAB THK	PART NO.

THIS DRAWING IS A CONTROLLED DOCUMENT.		DWN JR RUTH 7/15/87	<b>STE</b> TE Connectivity																
DIMENSIONS: INCHES		CHK G YETTER 7/16/87																	
TOLERANCES UNLESS OTHERWISE SPECIFIED:		APVD C MEYERS 7/17/87	NAME RECEPTACLE, FASTON,™ .187 SERIES																
<table border="1"> <tr><td>0 PLC</td><td>± -</td></tr> <tr><td>1 PLC</td><td>± -</td></tr> <tr><td>2 PLC</td><td>± -</td></tr> <tr><td>3 PLC</td><td>± .010</td></tr> <tr><td>4 PLC</td><td>± -</td></tr> <tr><td>ANGLES</td><td>± -</td></tr> </table>		0 PLC	± -	1 PLC	± -	2 PLC	± -	3 PLC	± .010	4 PLC	± -	ANGLES	± -	PRODUCT SPEC -	APPLICATION SPEC -	SIZE A3	CAGE CODE 00779	DRAWING NO C-63470	RESTRICTED TO -
0 PLC	± -																		
1 PLC	± -																		
2 PLC	± -																		
3 PLC	± .010																		
4 PLC	± -																		
ANGLES	± -																		
MATERIAL BRASS		FINISH -	WEIGHT -	CUSTOMER DRAWING		SCALE NTS	SHEET 1 OF 1	REV D3											

单击下面可查看定价，库存，交付和生命周期等信息

[>>TE Connectivity\(泰科\)](#)