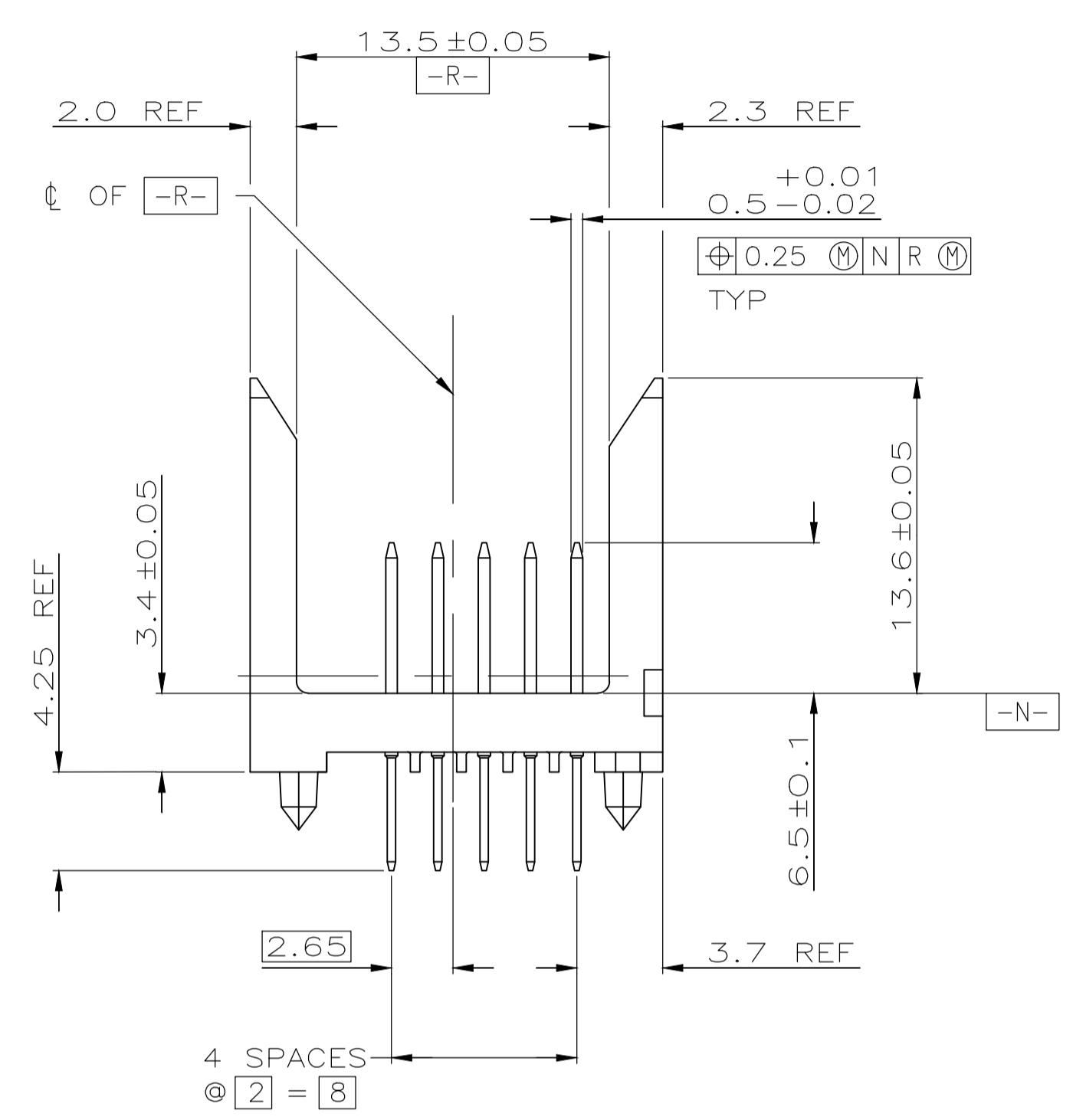
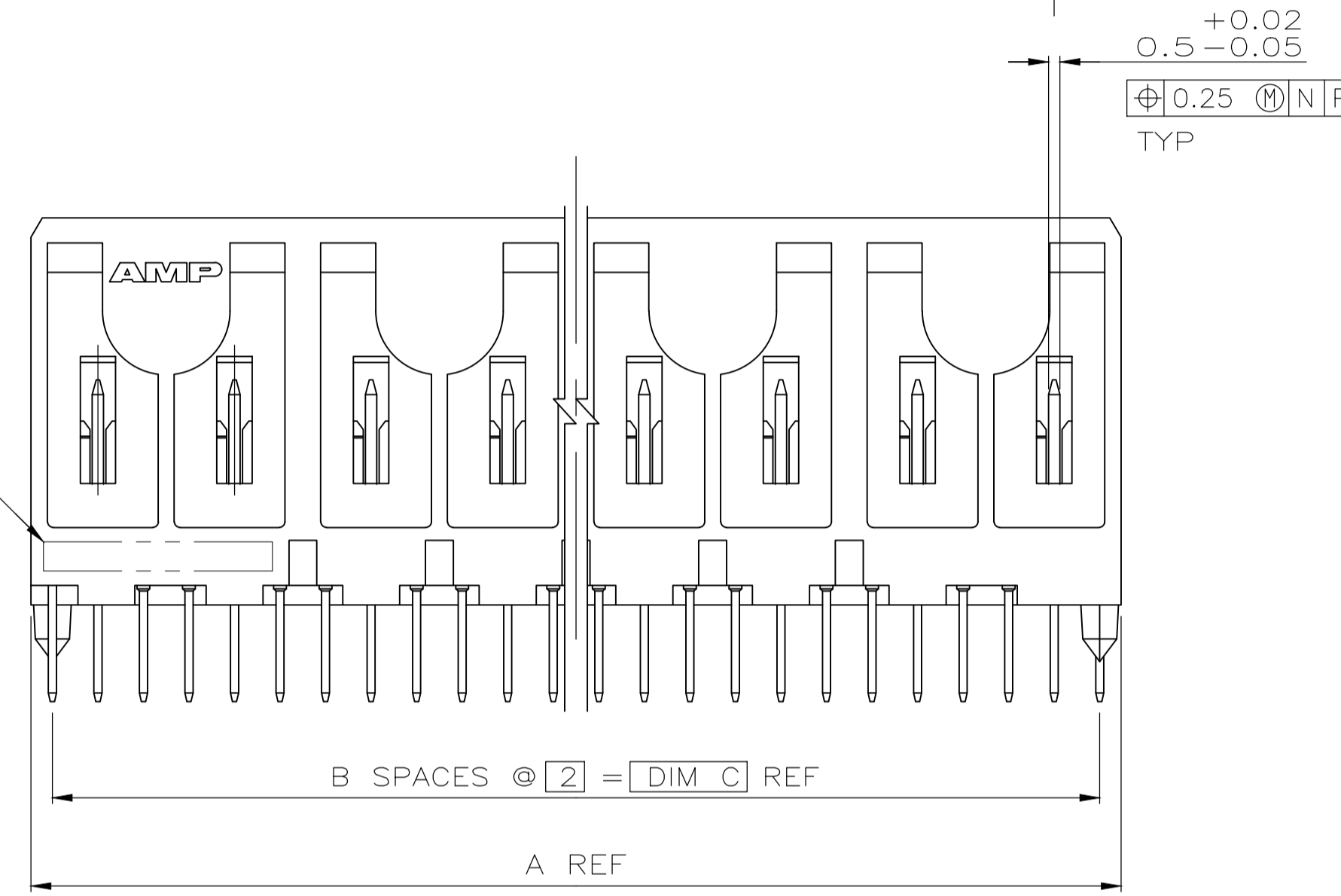
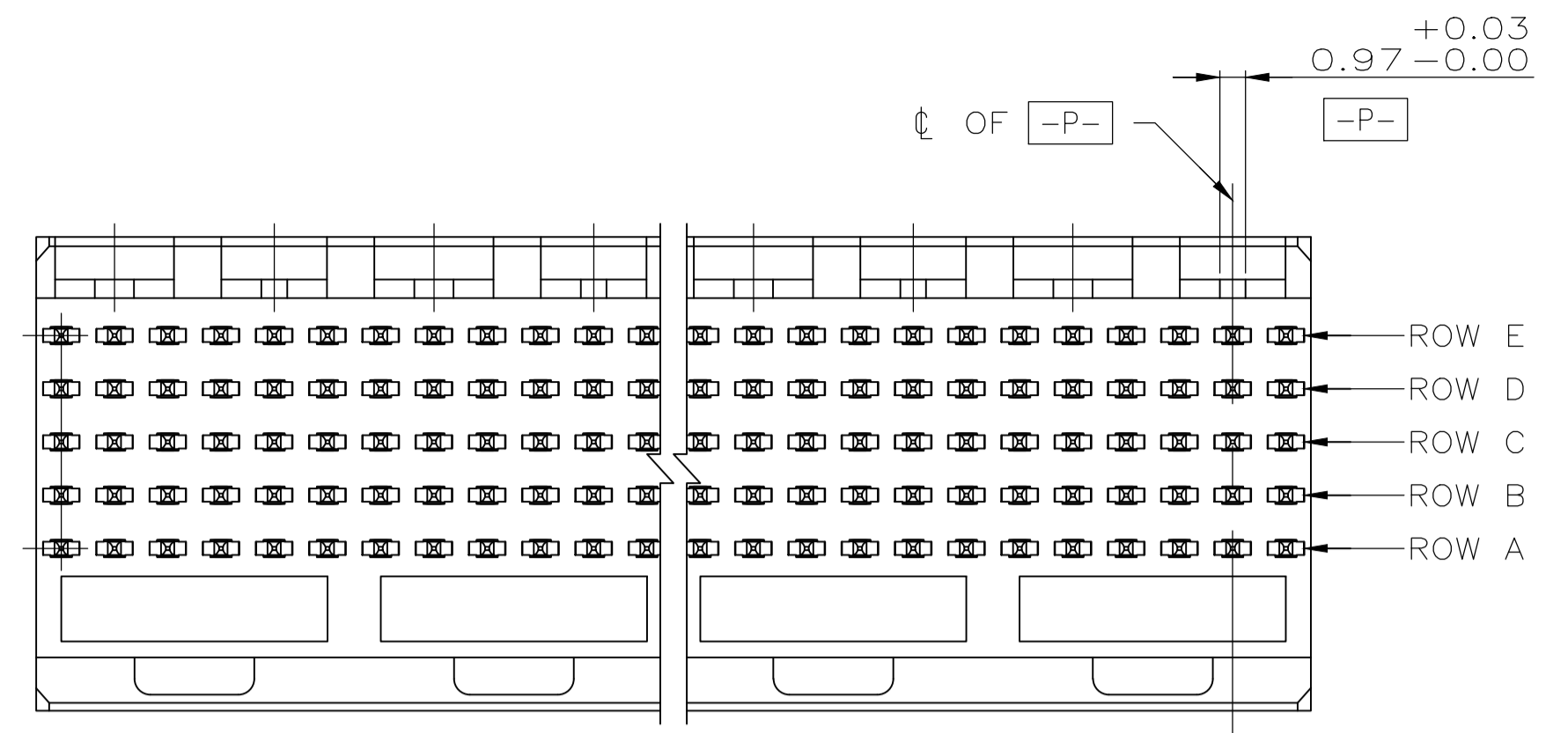
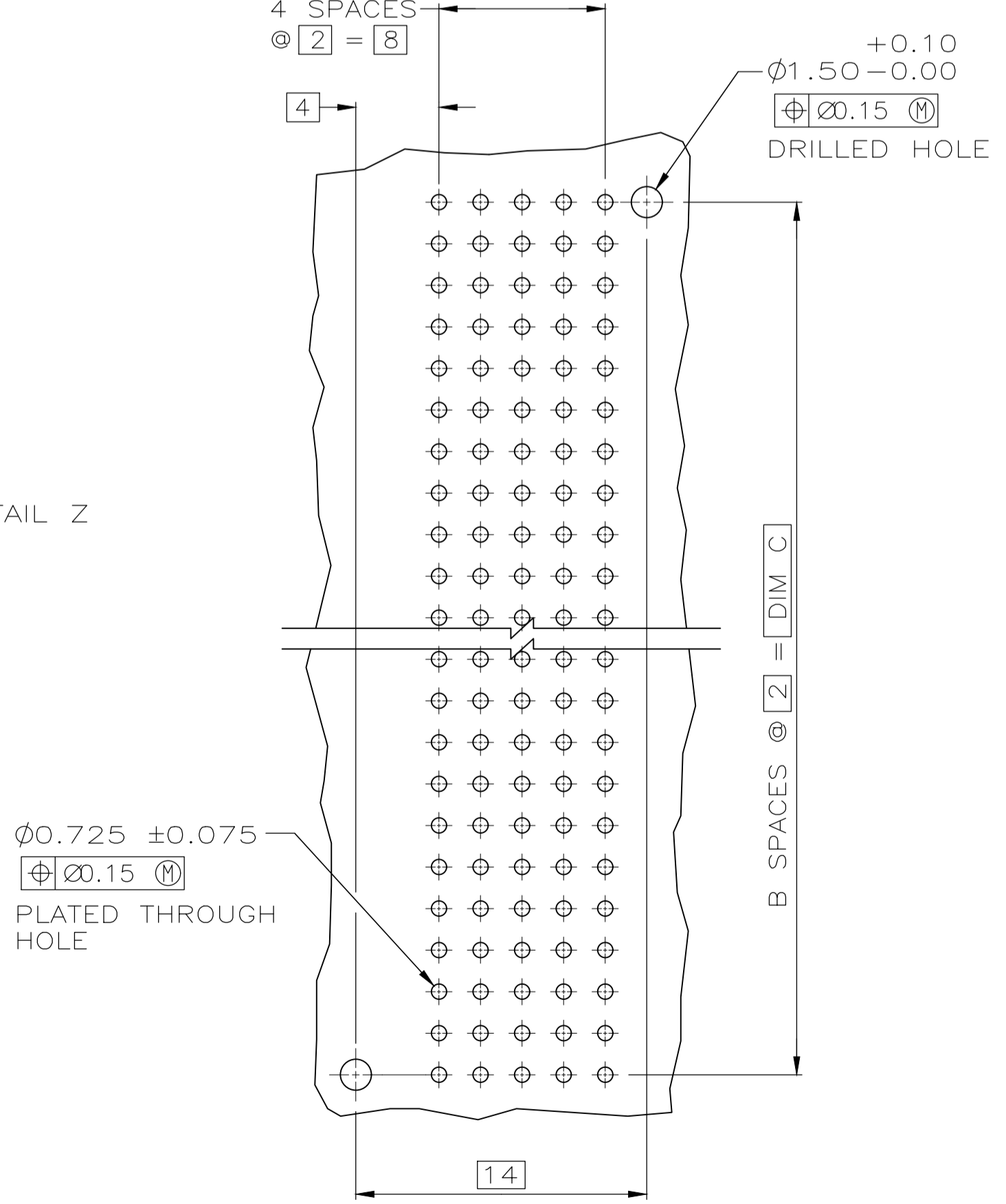
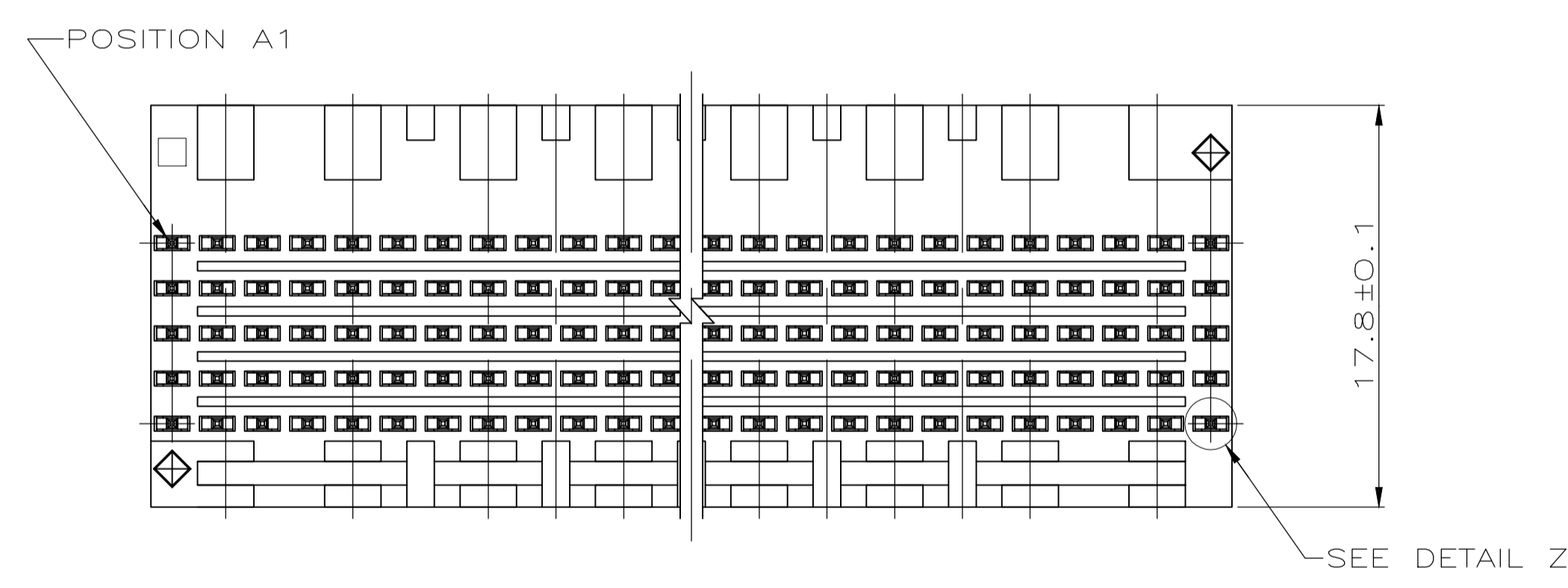
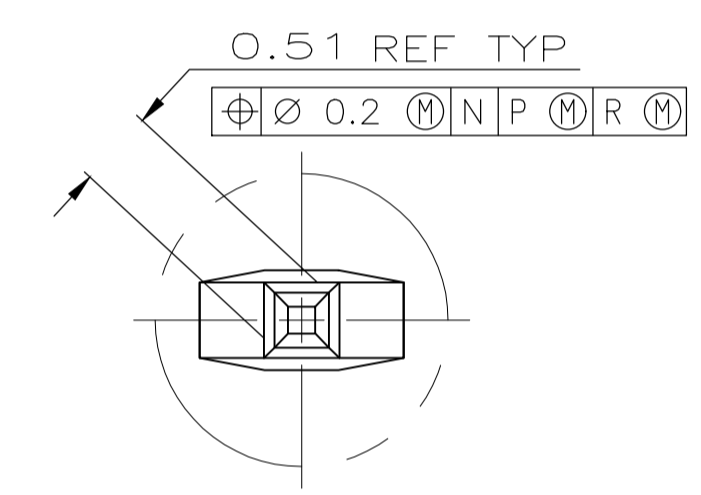


REVISIONS					
P	LTR	DESCRIPTION	DATE	DMN	APVD
D		REVISED PER ECO-18-004614	18DEC2018	DS	HL
C1		REVISED PER ECO-10-000444	16JAN10	KK	AEG



- ① HOUSING MATERIAL: LIQUID CRYSTAL POLYMER
COLOR: NATURAL.
- ② CONTACT MATERIAL: PHOSPHOR BRONZE
- ③ CONTACT FINISH:(A)
UNDERPLATE (ENTIRE CONTACT):
0.00127 MIN NICKEL PER SAE-AMS-QQ-N-290
ON MATING SURFACES:
CONFORMS TO ALL TESTING SPECIFIED FOR TELCORDIA
UNCONTROLLED ENVIRONMENT.
ON LEADS:
0.00381 MIN MATTE TIN PER ASTM B 545 OVER UNDERPLATE.
LUBRICATION (MIN MATING SURFACES):
SURFACE CONDITIONER AFTER PLATING.
- ④ PART MARKING LOCATED APPROXIMATELY AS SHOWN.
- ⑤ OBSOLETE PARTS: OBSOLETE CIS STREAMLINING PER D.RENAUD/D.SINISI



RECOMMENDED CIRCUIT PATTERN (COMPONENT SIDE)

⑤ OBSOLETE	130	65	131.88	③	330	1-5223000-1
⑤ OBSOLETE	118	59	119.88	③	300	1-5223000-0
⑤ OBSOLETE	106	53	107.88	③	270	-5223000-9
⑤ OBSOLETE	94	47	95.88	③	240	-5223000-8
⑤ OBSOLETE	82	41	83.88	③	210	-5223000-7
⑤ OBSOLETE	70	35	71.88	③	180	-5223000-6
	58	29	59.88	③	150	5223000-5
⑤ OBSOLETE	46	23	47.88	③	120	-5223000-4
	34	17	35.88	③	90	5223000-3
	22	11	23.88	③	60	5223000-2
	10	5	11.88	③	30	5223000-1
	C	B	A	FINISH	NO OF SIGNAL POSN	PART NUMBER

THIS DRAWING IS A CONTROLLED DOCUMENT.

DIN B MCMMASTER 19NOV04
 CJK R WERTZ 19NOV04
 APVD R WERTZ 19NOV04

TE Connectivity

ASSEMBLY, PIN, SIGNAL, VERTICAL, Z-PACK 2mm FB, 5 ROW, SOLDER LEAD

APPROXIMATE DIMENSIONS: 0 PLC ± -, 1 PLC ± -, 2 PLC ± 0.13, 3 PLC ± -, 4 PLC ± -, ANGLES ± -

MATERIAL ① ② ③ FINISH ③

WEIGHT 0.000000 A1 00779 C=5223000

CUSTOMER DRAWING SCALE 4:1 SHEET 1 of 1 REV D

单击下面可查看定价，库存，交付和生命周期等信息

[>>TE Connectivity\(泰科\)](#)