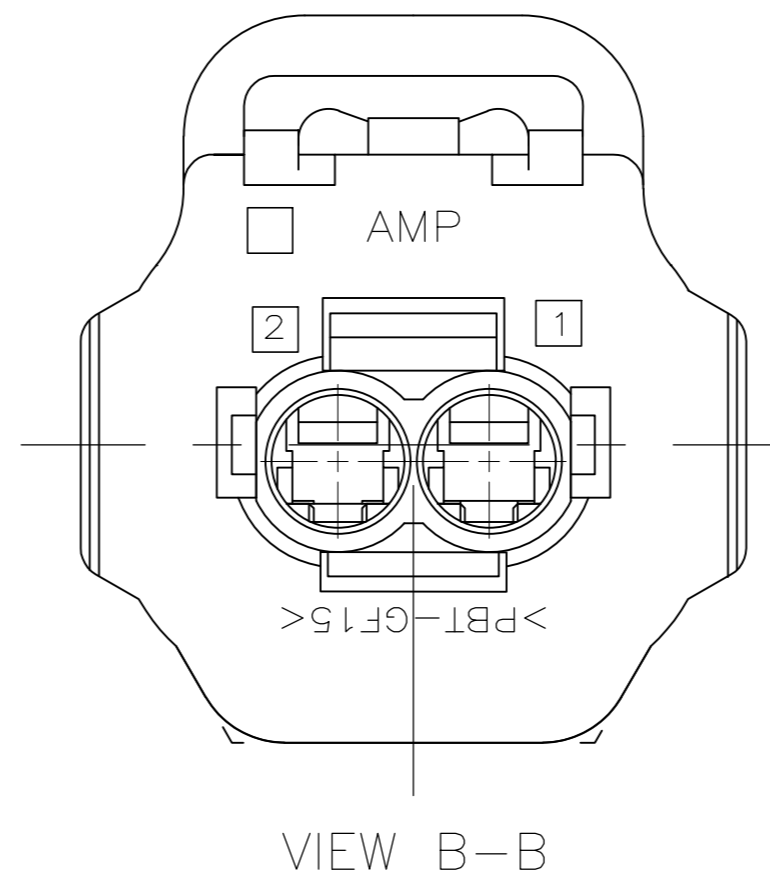
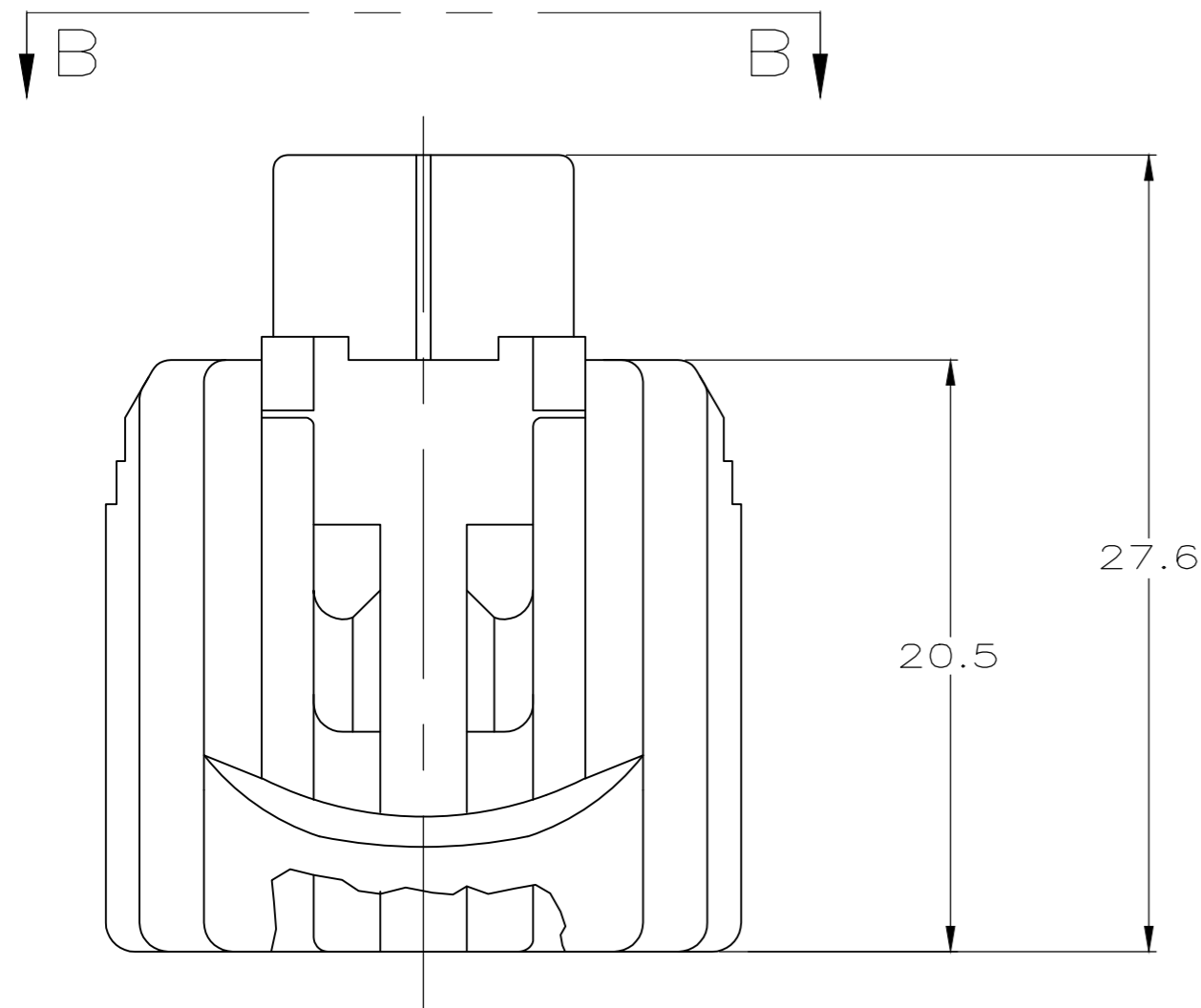


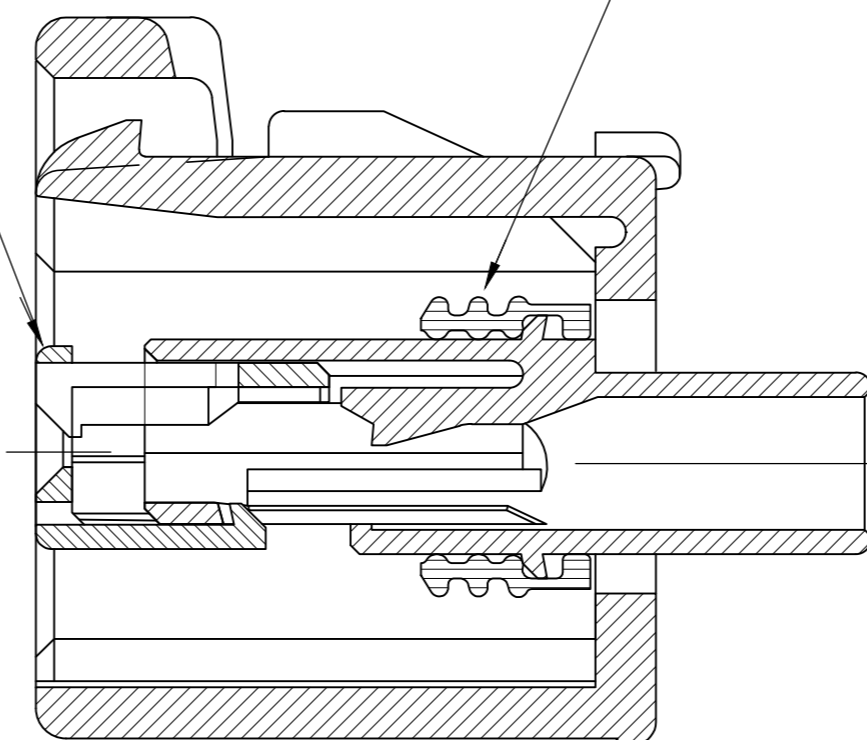
P	LTR	DESCRIPTION	DATE	DWN	APVD
0		RELEASED, WAS 92-4072-2313-8	-	-	-
A		REV PER ECN 0720-0290-94	10-21-94	KDL	JPK
		ADDED -2, 94-4072-026			
B		REV PER ECN 0720-0446-94	12/16/94	KW	JK
C		ADD -3 PER ECN 0720-0640-95	05/25/95	KW	JK
D		REV PER ECN OKS0-0003-96	08/13/96	KW	JK
E		REV PER EC# 0K40-0140-00	7-10-00	PC	GI
E1		REVISED PER ECO-20-012742	15SEP20	AP	HDC



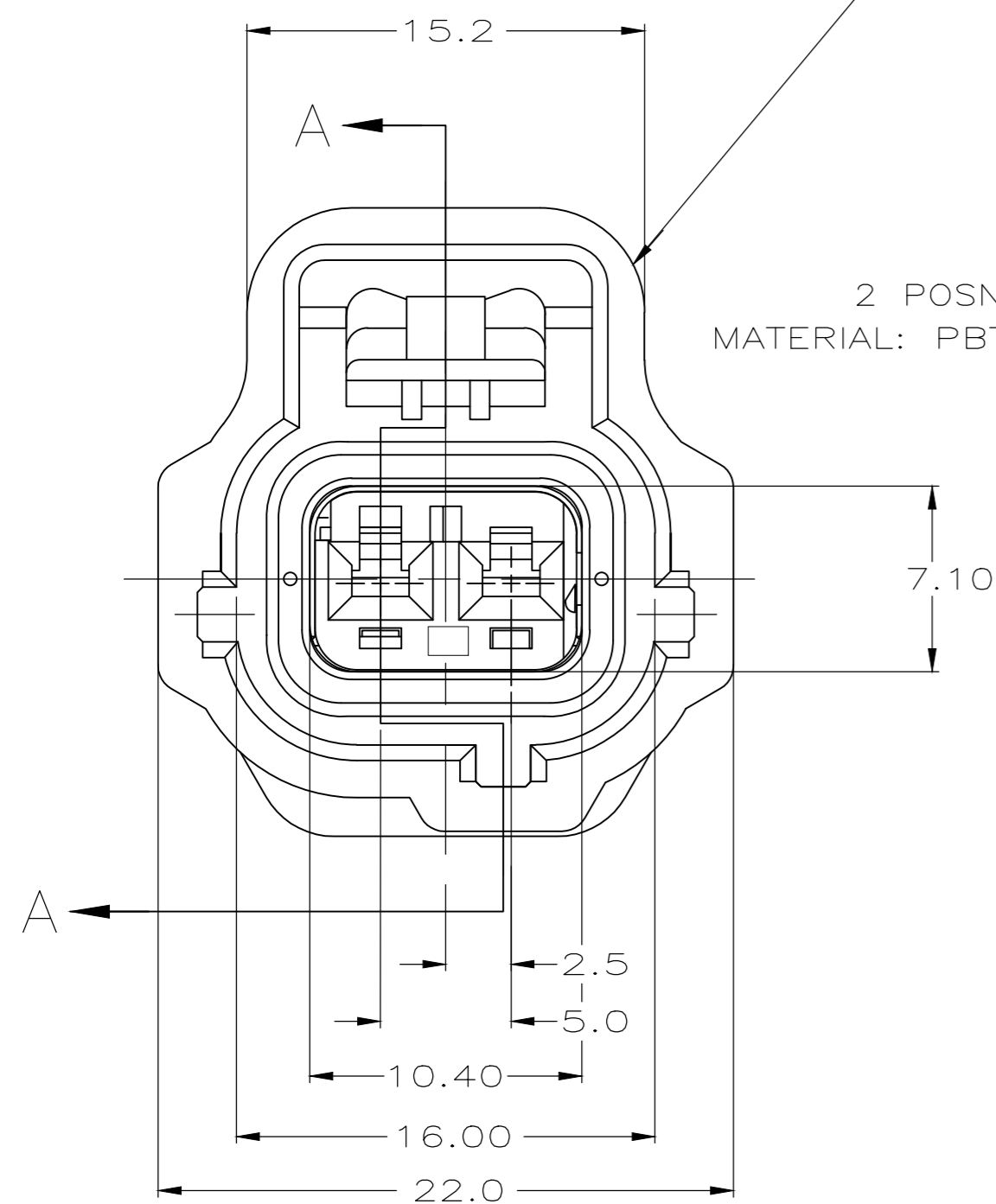
2 POSN PLUG  
MATERIAL: PBT, 15% GLASS FILLED

SEAL RING  
MATERIAL: SILICONE RUBBER

2 POSN. DOUBLE LOCK PLATE  
MATERIAL: PBT, 15% GLASS FILLED



SECTION A-A



KEYING TYPE H

<b>OBSOLETE</b>	BROWN	184014-3
	GREEN	184014-2
	BLACK	184014-1
	PLUG COLOR	PART NO

THIS DRAWING IS A CONTROLLED DOCUMENT.		DWN	KD LYTLE	3/25/94
DIMENSIONS:		CHK	JP KUNKLE	4/19/94
mm	TOLERANCES UNLESS OTHERWISE SPECIFIED:	APVD	-	-
	0 PLC	±	-	PRODUCT SPEC
	1 PLC	±	0.30	-
	2 PLC	±	0.15	APPLICATION SPEC
	3 PLC	±	-	-
MATERIAL	FINISH	WEIGHT	0.000000	SIZE
-	-	CUSTOMER DRAWING	SCALE	4:1
		CAGE CODE	00779	DRAWING NO
		DRAWING NO	184014	RESTRICTED TO
		SCALE	4:1	SHEET
		SHEET	1 of 1	REV
		REV	E1	

**TE** TE Connectivity

1 X 2 PLG ASY KEY H-C3

单击下面可查看定价，库存，交付和生命周期等信息

[>>TE Connectivity\(泰科\)](#)